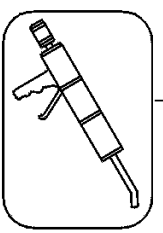
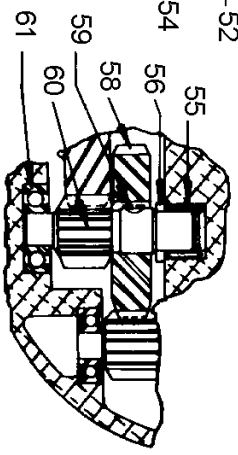
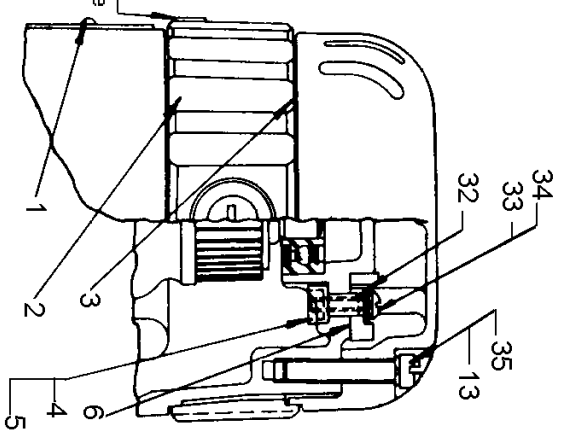
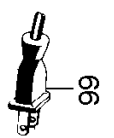


marker on reverse switch ring
 must be assembled on the same
 side of the field case as the
 nameplate.



800



66



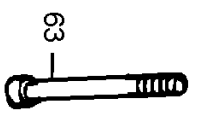
67



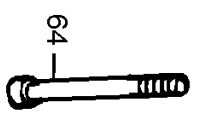
62



68



63



64

Parts List for 1405-95 Type 2

Item Number	Part Number	Description	Qty Required
1	3041-00	SCREW	2
3	445694-00	RING	1
7	158475-00	BEARING,BALL	1
8	030612-00	PLUG	1
9	032172-00	SCREW	2
10	000000-00	No Longer Available	2
13	000416-00	WASHER	4
14	006125-00	SCREW	2
17	000000-00	No Longer Available	1
18	450063-31SV	ARMATURE	1
19	038207-01	FAN BAFFLE	1
20	944824-00SV	COVER-GEAR CASE	1
21	330003-12	BEARING,BALL	1
22	000000-00	No Longer Available	1
23	021635-00	NEEDLE BEARING	1
24	000000-00	No Longer Available	1
25	000000-00	No Longer Available	1
26	070920-00	STOP NUT	1
27	045051-00	WASHER	1
28	055081-00	GEAR	1
29	13851-00	KEY	1
30	000000-00	No Longer Available	1
31	22502-00	BEARING,BALL	1
32	038224-00	CONTACT	2
33	004145-01	WASHER	2
34	037955-00	SCREW	2
35	009842-00	SCREW	2

Parts List for 1405-95 Type 2

Item Number	Part Number	Description	Qty Required
37	449908-00	END HOUSING	1
38	1632-00	PLUG	1
44	N031655	BRUSH & SPRING	2
45	679277-00	HOLDER, BRUSH	2
46	33880-01	CAP,BRUSH	2
47	024323-00	WASHER	2
48	30613-00	PLUG	1
49	20774-01	BEARING,BALL	1
51	038210-00	GEAR	1
52	006952-00	KEY	2
53	38278-00	PINION	1
54	030090-00	BALL BEARING	1
55	038221-00	NEEDLE BEARING	1
56	38218-00	WASHER	1
58	38356-00	GEAR	1
59	006952-00	KEY	1
60	55080-00	PINION	1
61	8068-00	BEARING, BALL	1
62	050169-00	ROLLER	1
63	99461-28	SCREW	2
64	099461-44	SCREW&WASHER	2
65	000000-00	No Longer Available	1
66	000000-00	No Longer Available	1
68	131753-00	TERMINAL	2
69	233304-00	NAMEPLATE-SHEET	1
70	000000-00	No Longer Available	1
71	615062-00	FAN	1

Parts List for 1405-95 Type 2

Item Number	Part Number	Description	Qty Required
72	939467-00	GASKET	1
800	429698-00	GREASE:4 LB CAN	1