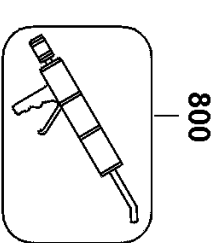
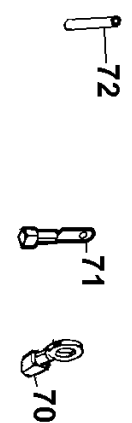
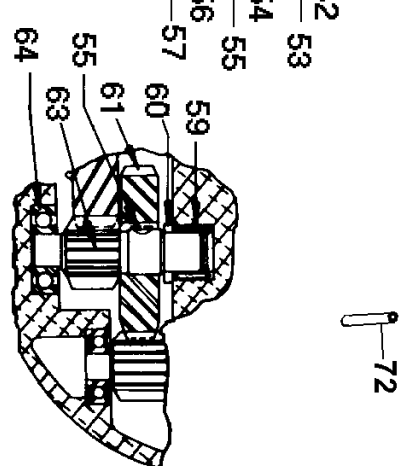
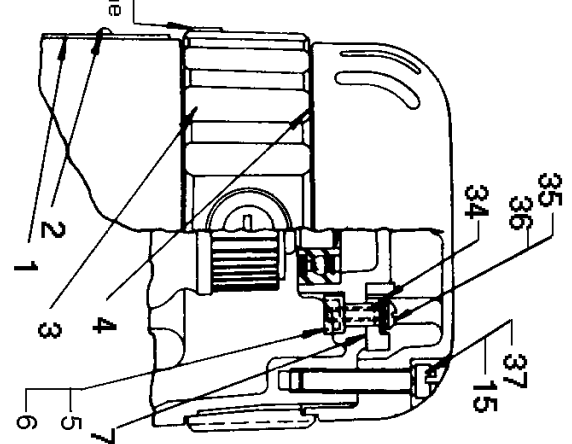


marker on reverse switch ring  
must be assembled on the same  
side of the field case as the  
nameplate.



### Parts List for 1405-96 Type 3

Item Number	Part Number	Description	Qty Required
1	637558-00	NAMEPLATE	1
2	3041-00	SCREW	2
3	038201-02	SWITCH RING	1
4	445694-00	RING	1
5	071165-00	BUSHING	2
6	12226-00	NUT	2
7	037914-00	SPACER	2
8	158475-00	BEARING,BALL	1
9	030612-00	PLUG	1
10	032172-00	SCREW	2
11	000000-00	No Longer Available	2
12	000475-00	BALL	2
13	038769-00	SPRING	2
14	000000-00	No Longer Available	1
15	000416-00	WASHER	6
16	006125-00	SCREW	2
17	038223-00	ADAPTER	1
18	005762-00	SCREW	4
19	450070-71	FIELD&LEADS	1
20	450063-31SV	ARMATURE	1
21	038207-01	FAN BAFFLE	1
22	615062-00	FAN	1
23	944824-00SV	COVER-GEAR CASE	1
24	330003-12	BEARING,BALL	1
25	021635-00	NEEDLE BEARING	1
26	944823-00	CASE,GEAR	1
27	449590-00	SPINDLE	1

### Parts List for 1405-96 Type 3

Item Number	Part Number	Description	Qty Required
28	070920-00	STOP NUT	1
29	045051-00	WASHER	1
30	055081-00	GEAR	1
31	13851-00	KEY	1
32	000000-00	No Longer Available	1
33	157359-00	BEARING,BALL	1
34	038224-00	CONTACT	4
35	004145-01	WASHER	2
36	037955-00	SCREW	2
37	009842-00	SCREW	2
39	449908-00	END HOUSING	1
41	000000-00	No Longer Available	1
42	004006-01	RIVET	2
44	038226-00	LEAD	2
45	9293-00	SPRING,BRUSH	2
46	849314	TERM	2
47	N031655	BRUSH & SPRING	2
48	679277-00	HOLDER, BRUSH	2
49	33880-01	CAP,BRUSH	2
50	024323-00	WASHER	2
51	939467-00	GASKET	1
52	30613-00	PLUG	1
53	20774-01	BEARING,BALL	1
54	038210-00	GEAR	1
55	006952-00	KEY	2
56	38278-00	PINION	1
57	030090-00	BALL BEARING	1

### Parts List for 1405-96 Type 3

Item Number	Part Number	Description	Qty Required
58	944822-00	SPACER	1
59	038221-00	NEEDLE BEARING	1
60	38218-00	WASHER	1
61	38356-00	GEAR	1
63	55080-00	PINION	1
64	8068-00	BEARING, BALL	1
70	053650-00	TERMINAL	2
71	131753-00	TERMINAL	2
72	050169-00	ROLLER	1
73	099461-44	SCREW&WASHER	2
74	99461-28	SCREW	2
800	790206-00	GREASE, 6 OZ.	1