

846

800
801

58

37

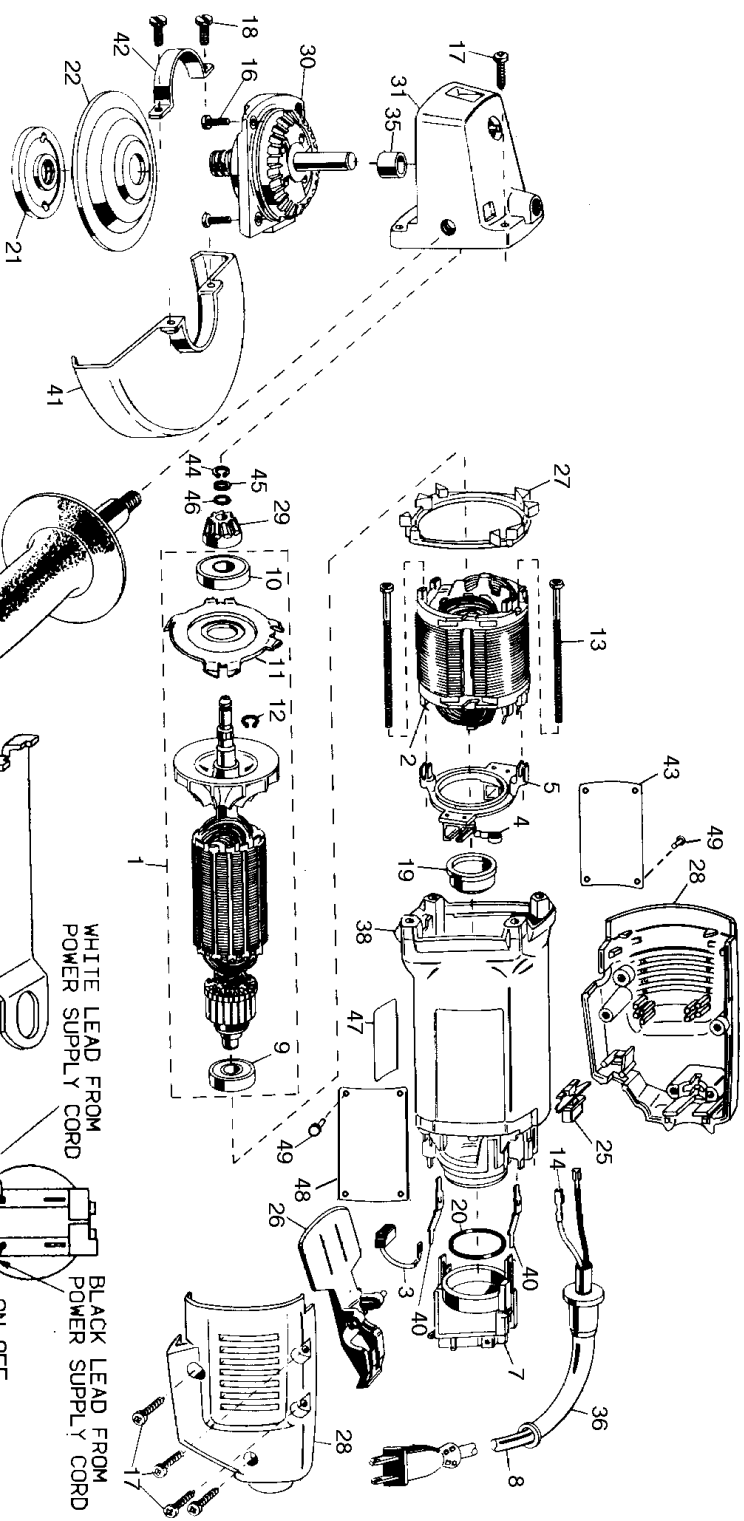
23

WHITE LEAD FROM
POWER SUPPLY CORD

BLACK LEAD FROM
POWER SUPPLY CORD

ON-OFF
SWITCH

WIRING DIAGRAM



Parts List for MT6147 Type 100

Item Number	Part Number	Description	Qty Required
1	5140071-54	ARMATURE&FIELD	1
2	5140071-54	ARMATURE&FIELD	1
3	445861-25	BRUSH	2
4	445860-00	SPRING,BRUSH	2
5	449899-05	RING,BRUSH	1
7	5140110-67	SWITCH KIT	1
7	87891-05	TUBING,HT.SHRNK	1
8	330072-98	CORD/8FT/18-2SJ	1
9	330003-03	BEARING,BALL	1
10	330003-17	BEARING,BALL	1
11	150057-00	RETAINER,BRG.	1
12	444793-00	RING, RETAINING	1
13	445880-00	SCREW	2
14	464228-00	TERMINAL	2
16	146929-00	SCREW,TRI-ROUND	4
17	330019-13	SCREW,M4X19	8
18	99284-08	SCREW	2
19	445217-02	SLEEVE	1
20	700248-00	O RING	1
21	149480-00	NUT,CLAMP	1
22	448156-01	FLANGE	1
23	149645-00	WRENCH,BOX	1
25	447847-00	LOCK BUTTON	1
26	150428-00SV	PADDLE	1
27	445876-00	BAFFLE, FAN	1
28	429882-59	END CAP & COVER	1
29	152487-01	PINION	1

Parts List for MT6147 Type 100

Item Number	Part Number	Description	Qty Required
30	5140001-91	SPINDLE & GEAR	1
31	150323-00SV	CASE-GEAR	1
35	036826-00	SLEEVE BEARING	1
36	330005-01	PROTECTOR,CORD	1
37	149142-00	HANDLE,SIDE	1
38	000000-00	No Longer Available	1
40	445882-00	CONTACT STRIP	2
41	450733-00	GUARD	1
42	146954-00	CLAMP,GUARD	1
43	000000-00	No Longer Available	1
44	38751-00	RING	1
45	449559-00	WASHER	1
46	50050-00	RING	1
47	143758-00	LABEL, CAUTION	1
48	000000-00	No Longer Available	1
49	000000-00	No Longer Available	8
55	51816-01	FLANGE	1
56	68254-02	NUT,DISC	1
58	314842-19	WHEEL,GRINDING	1
800	761995-01	GREASE, 6 OZ.	1
801	283484-01	GREASE,32 OZ.	1
846	000000-00	No Longer Available	1