

Cordless Rotary Hammer - 0 611 256 259 - 11524

www.powertools-aftersaleservice.com



BOSCH

Item	Part Number	Description	Illustration	Price	Quantity	Price Group
1	1 615 104 030	Housing Section BLUE	1	-,-	1	36
2	2 610 942 109	Pole housing 14;4-24V	1	-,-	1	30
4	1 617 200 067	On-Off Switch	1	-,-	1	41
9	1 611 110 A85	Manufacturer's nameplate	1	-,-	1	15
11	1 611 110 A86	Reference Plate	1	-,-	1	15
12	1 611 110 A87	Warning Plate	1	-,-	1	16
13	1 600 905 033	groove ball bearing 8x22x7	1	-,-	1	20
14	2 600 905 052	groove ball bearing 8x22x7	1	-,-	1	20
15	1 616 610 092	Fan	1	-,-	1	19
17	1 614 652 008	Spiral Spring	1	-,-	2	12
18	2 603 100 056	Damping rubber	1	-,-	1	11
20	1 616 409 012	Catch Disk	1	-,-	1	19
22	1 616 317 613	Cylindrical Gear Z=53	1	-,-	1	19
27	1 618 710 068	Striker	1	-,-	1	21
30	1 611 911 000	Drive Lever	1	-,-	1	23
33	1 614 634 008	Compression Spring	1	-,-	1	12
34	1 613 100 021	Bearing Pin	1	-,-	1	12
36	1 610 190 021	Supporting Disc	1	-,-	1	12
39	1 610 508 021	Protective Cap SDS-PLUS	1	-,-	1	12
43	1 610 190 020	Supporting Disc	1	-,-	1	12
45	1 616 316 602	Drive pinion Z=9	1	-,-	1	27
46	1 613 160 022	Straight Pin	1	-,-	1	11
47	1 601 010 010	Insulating Plate	1	-,-	2	18
53	1 610 910 077	Needle bearing	1	-,-	2	16
55	1 610 920 012	Roller Thrust Bearing	1	-,-	1	15
56	1 610 102 030	Support Disc 1,0 MM THICK	1	-,-	1	13
57	1 610 920 009	Roller Thrust Bearing BLACK	1	-,-	1	15
60	1 610 280 006	Seal Ring	1	-,-	1	15
62	1 610 210 125	O-Ring 18,0x2,5 MM	1	-,-	1	12
63	1 903 230 013	Ball DIN 5401-Ø7MM-III-ST	1	-,-	1	11
64	1 613 100 019	Straight Pin DIN6325-2,5x12-RIKO	1	-,-	2	11
65	1 614 601 018	Retaining ring	1	-,-	4	11
67	3 600 224 038	Spring retaining ring	1	-,-	1	11

Item	Part Number	Description	Illustration	Price	Quantity	Price Group
72	1 610 100 007	Shim washer 1,0 MM THICK	1	-,-	2	11
74	1 611 015 045	Sealing Frame	1	-,-	1	17
75	1 611 015 041	Sealing Frame	1	-,-	1	12
76	1 610 210 138	Seal Ring	1	-,-	1	11
80	1 610 100 008	Sealing disk	1	-,-	1	11
81	1 610 290 043	Locating Ring	1	-,-	2	12
83	1 610 290 078	Locating Ring	1	-,-	1	13
84	1 601 016 013	Inserted Part	1	-,-	1	12
85	1 613 231 006	Switch Slide RED	1	-,-	1	12
86	1 609 280 157	Contact retainer	1	-,-	1	27
92	2 912 401 021	Tapping Screw DIN7981-ST3,9x22-C-Z	1	-,-	14	10
93	2 912 401 019	Tapping Screw DIN7981-ST3,9x16-C-Z	1	-,-	2	11
94	2 912 401 007	Tapping Screw DIN 7981-ST2,9x16,0-C-Z	1	-,-	4	11
98	1 614 416 012	Connecting Cable L=260 MM RED	1	-,-	1	11
99	1 614 416 011	Connecting Cable L=270 MM BLUE	1	-,-	1	11
110	1 611 110 A88	Warning Plate	1	-,-	1	17
120	1 612 025 019	Auxiliary Handle M8	2	-,-	1	19
121	2 608 040 176	Support clamp Ø43 MM	2	-,-	1	19
122	1 613 490 002	T-Head Bolt M8x40 MM	2	-,-	1	14
123	1 611 316 006	Clamping Band Ø43 MM	2	-,-	1	13
652	1 613 001 009	Depth-Gauge SW 6x210 MM	2	-,-	1	15
653	2 607 335 451	Slide-In Accu Package 24V, 2,4Ah, NiCd	2	-,-	1	54
654	2 607 225 033	Fast Charger USA 120/7,2-24V, 30 MIN.	2	-,-	1	46
655	1 610 508 032	Protective Cap RED	2	-,-	1	12
661	1 615 430 010	Grease Tube 30 ML	2	-,-	1	18
803	1 617 000 511	Armature With Fan 24V	1	-,-	1	45
808	1 601 11A 3H9	Nameplate	1	-,-	1	13
810	1 617 014 131	Carbon-Brush Set	1	-,-	1	22
816	1 617 000 379	Brush Holder L=145 MM BLUE	1	-,-	1	23
817	1 617 000 380	Brush Holder L=45 MM RED	1	-,-	1	22
820	1 612 025 049	Auxiliary Handle Ø43 MM	2	-,-	1	24
821	1 617 000 320	Hammer Pipe SDS-PLUS	1	-,-	1	33
821/01	1 617 000 375	Hammer Pipe SDS-PLUS	1	-,-	1	39
824	1 617 000 314	Jack Shaft Z=31/12	1	-,-	1	39
841	1 617 000 303	Protection Sleeve SDS-PLUS	1	-,-	1	26
844	1 617 000 322	Clamp Handle BLACK	1	-,-	1	15
850	1 617 000 975	Bushing	1	-,-	2	20
899	0 611 256 259	Cordless Rotary Hammer	1	-,-	1	-

Illustration - Type E

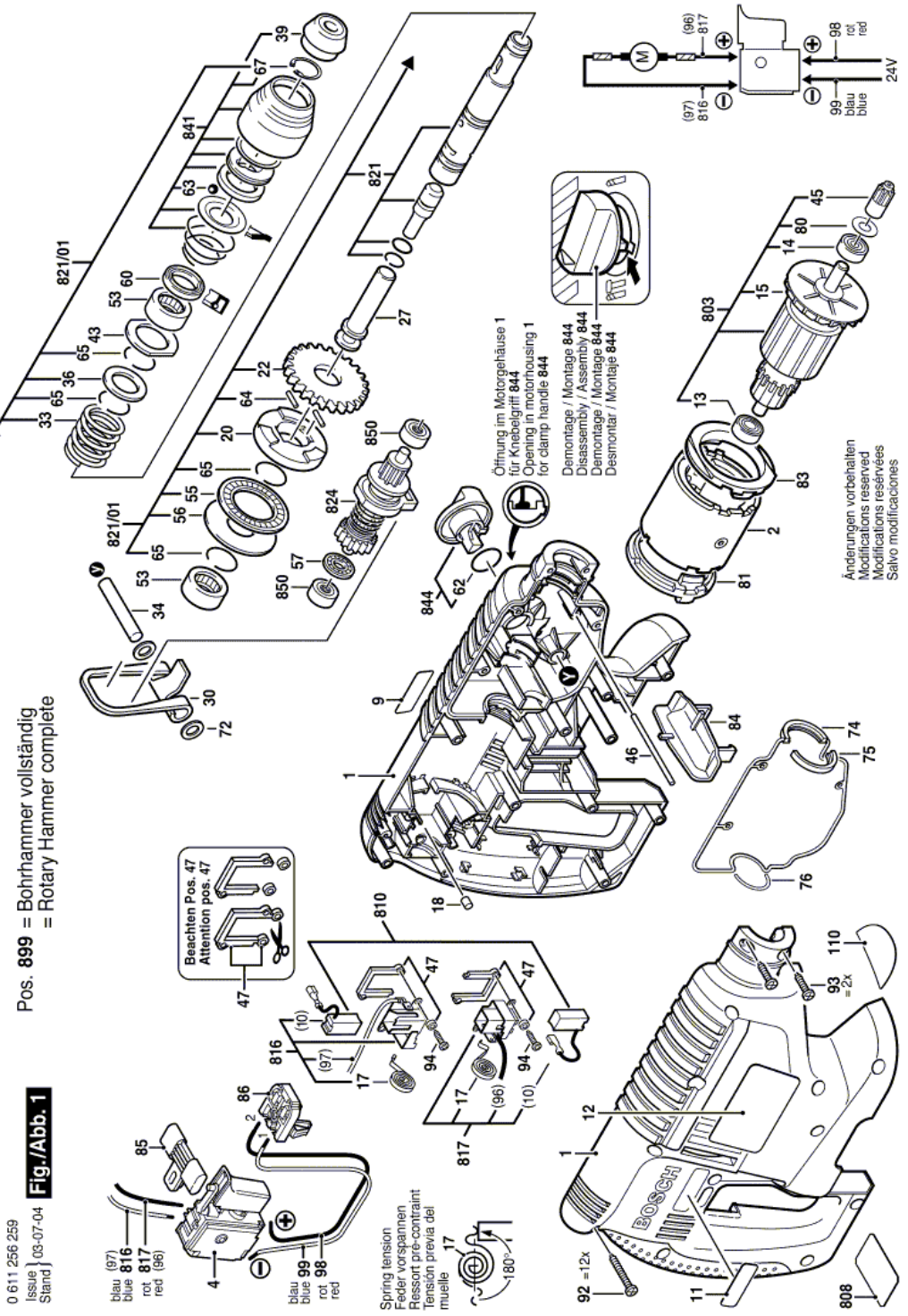
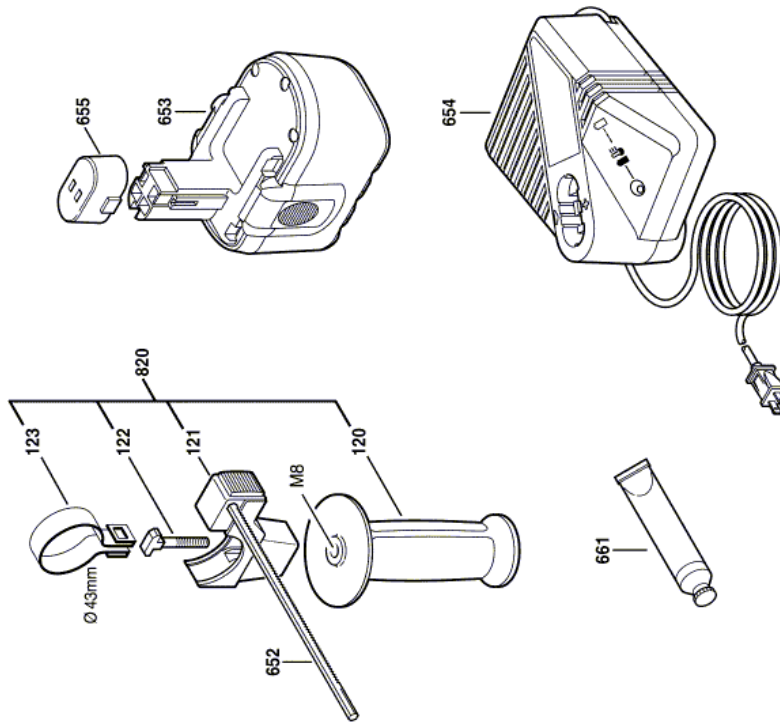


Illustration - Type E

0 611 256 259
Issue Stand | 08-07-04
Fig./Abb. 2



Modifications reserved
Änderungen vorbehalten
Modificaciones reservadas
Salvo modificaciones