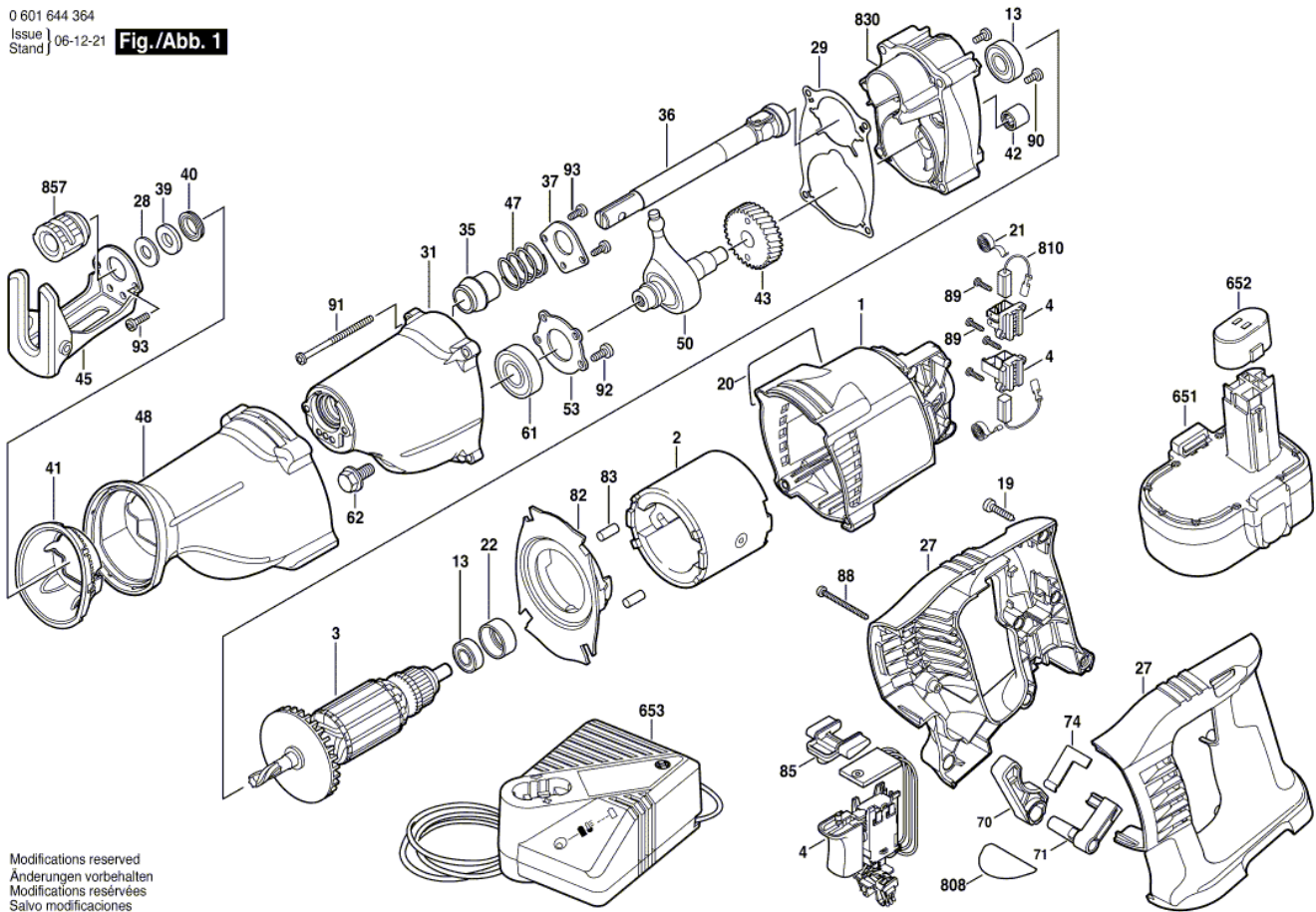


0 601 644 364
Issue 06-12-21
Stand

Fig./Abb. 1



Modifications reserved
Änderungen vorbehalten
Modifications réservées
Salvo modificaciones

Pos.	Part Number	Description	Pos.	Part Number	Description
1	2 610 934 987	Motor Housing			
2	1 615 100 009	Pole housing			
3	1 619 P01 903				
4	2 610 943 193	Switch Assembly			
13	1 619 P01 511	Deep-Groove Ball Bearing			
19	2 610 315 386	Screw			
20	2 610 934 989	Warning Label			
21	2 610 907 388	Spiral Spring			
22	1 619 P01 127	Rubber Ring			
27	2 610 934 994	Set Of Handles			
28	2 610 908 804	Protective Washer			
29	2 610 934 995	Sealing Plate			
31	2 610 935 103	Front Housing			
35	2 610 934 999	Sintered-Metal Bushing			
36	2 610 944 393	Spindle Assembly			
37	2 610 935 431	Spring Retaining Plate			
39	2 610 030 004	Felt Disc			
40	2 610 995 815	Shaft Seal			
41	2 610 935 004	Plastic Collar			
42	2 610 908 698	Needle-Roller Bearing			
43	2 610 908 802	Toothed Gear			
45	2 610 935 005	Supporting foot			
47	2 610 937 437	Compression Spring			
48	2 610 935 008	Insulating Sleeve			
50	2 610 935 009	Wobble Plate			
53	2 610 935 010	Retaining Plate			
61	1 900 905 162	Deep-Groove Ball Bearing			
62	2 610 918 051	Flange Bolt			
70	2 610 935 011	Hook			
71	2 610 935 012	Bearing Piece			
74	2 610 935 013	Leaf Spring			
82	2 610 935 014	Baffle			
85	2 610 935 015	Locking Slide			
88	1 619 P01 446	Screw			
89	1 619 P06 252	Torx Oval-Head Screw			
90	2 610 907 504	Screw			
91	1 619 P01 932	Screw			
92	1 619 P01 447	Screw			
93	1 619 P01 931	Screw			
651	2 607 335 717	Accumulator Battery			
652	2 609 100 101	Cover			
653	2 607 225 033	Battery Charger			
808	2 610 941 470	Nameplate			
810	2 610 943 623	Carbon-Brush Set			
830	2 610 944 922	Bearing Plate			
857	2 610 920 684	Blade Holder			