

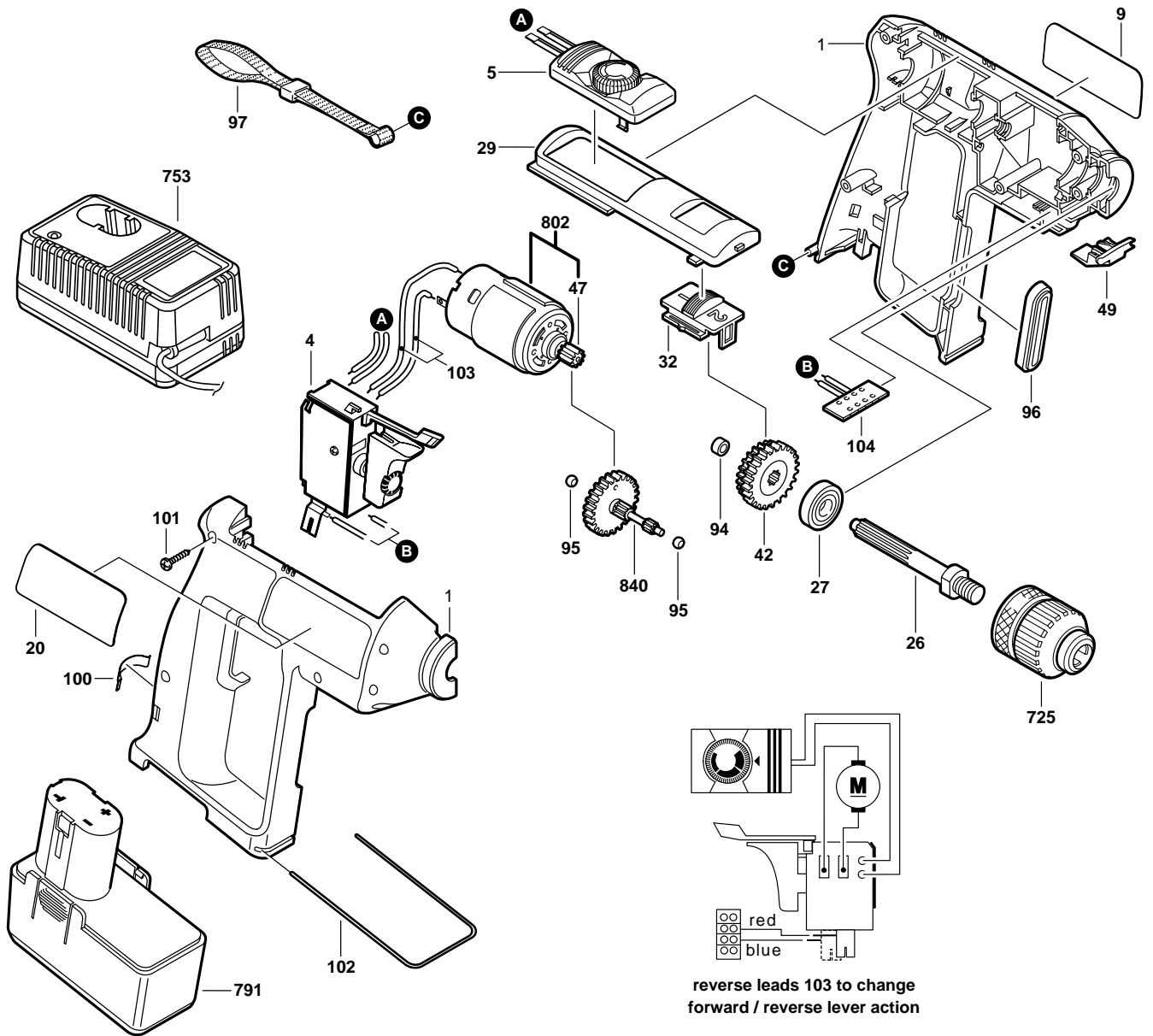
BOSCH

January 1998
INDUSTRIAL

12V DRILL / DRIVER

Model 0601938439

3300



reverse leads 103 to change forward / reverse lever action

Pos.	Part Number	Description {Qty}	F/C	Pos.	Part Number	Description {Qty}	F/C
1	2 605 104 466	Housing Assembly	71	97	2 601 398 013	Strap	9
4	2 607 200 395	Switch VSR	17	100	2 601 322 016	Clamping Spring	80
5	2 607 233 014	Torque Adjust Switch	16	101	2 910 611 020	Screw {6}	89
9	2 610 909 845	Label "3300"	9	102	2 601 329 041	Battery Retaining Clip	9
20	2 610 909 844	Nameplate	9	103	2 604 413 004	Cable 79mm {2}	10
26	2 606 309 031	Spindle 3/8"-24	52	104	2 608 018 004	Contact Plate	10
27	1 900 905 120	Ball Bearing	51	725	2 608 572 067	Keyless Chuck 3/8"	91
29	2 605 510 116	Housing Cover	70	753	2 607 224 231	1 Hour Charger 120V	18
32	2 601 099 058	Gear Select Lever	63	+753.1	2 610 992 343	15 Minute Charger 120V	18
42	1 609 340 007	Gear	35	791	2 610 910 405	Battery Pack 12V 1.7A-h	18
47	2 606 316 112	Pinion Gear	33	791.1	2 607 335 090	Battery Pack 12V 1.3A-h	18
49	2 605 510 117	Cover	70	802	2 607 022 925	Motor w/Gear 12V w/pos. 47	19
94	2 600 301 011	Bushing	82	840	1 609 340 005	Intermediate Gear	31
95	2 600 302 002	Bushing {2}	82				
96	2 600 290 022	Rubber Ring	78				

+ = Not Illustrated * = As Required F/C = Failure Code AW = Refer to AW Labor Time Chart