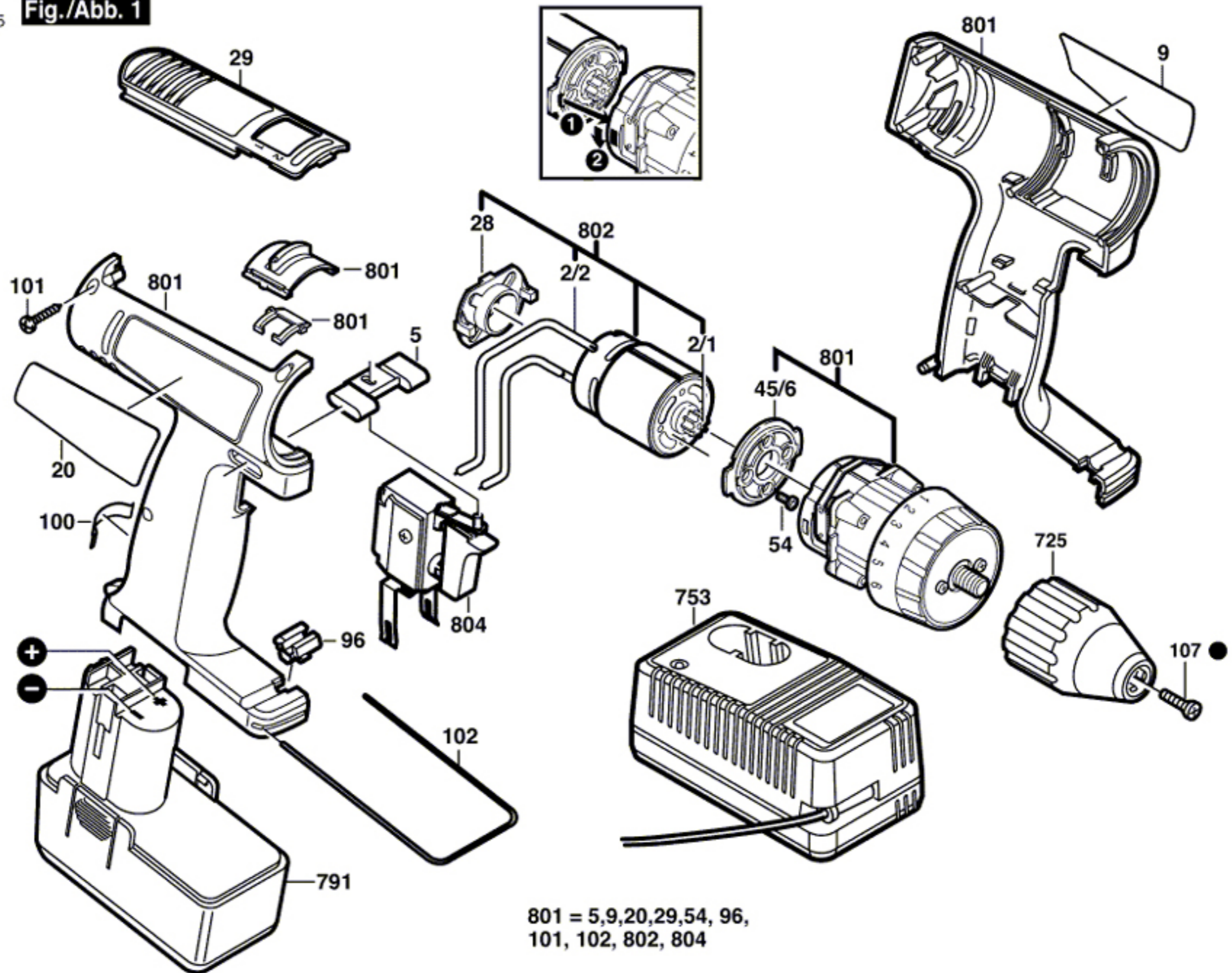


Fig./Abb. 1



801 = 5,9,20,29,54, 96,
101, 102, 802, 804