

Batt-Oper Screwdriver - 0 601 912 560 - 33612

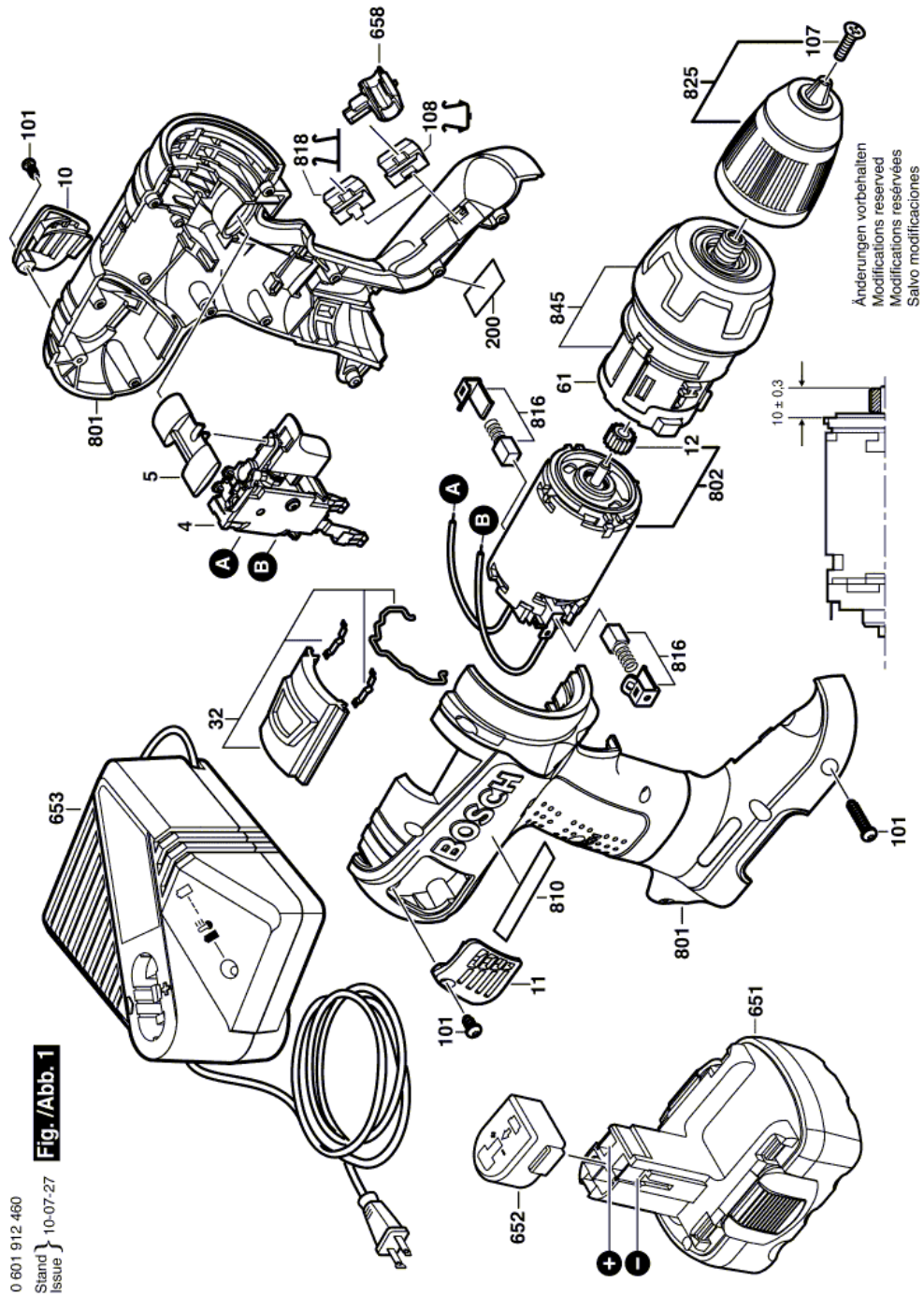
www.powertools-aftersaleservice.com



BOSCH

Item	Part Number	Description	Illustration	Price	Quantity	Price Group
4	2 607 200 456	On-Off Switch	1	-,-	1	39
5	2 601 099 112	Adjusting Slide RED	1	-,-	1	12
10	2 600 508 051	Cover BLACK	1	-,-	1	16
11	2 600 508 052	Cover BLACK	1	-,-	1	16
12	2 606 316 222	Pinion	1	-,-	1	19
32	2 601 099 127	Adjusting Slide	1	-,-	1	20
61	2 608 040 190	Support	1	-,-	1	21
101	2 603 490 018	Torx Oval-Head Screw 3x18	1	-,-	11	10
107	2 603 421 229	Countersunk-Head Screw M6x23	1	-,-	1	11
108	2 604 690 035	Spring Element	1	-,-	1	11
200	2 601 116 196	Reference Plate	1	-,-	1	15
651	2 607 335 667	Accumulator Battery 12V,2.0Ah,NiCd	1	-,-	1	48
652	2 609 100 101	Protective Cap	1	-,-	1	16
653	2 607 225 033	Fast Charger USA 120/7,2-24V, 30 MIN.	1	-,-	1	46
658	2 608 040 208	Auxiliary Support	1	-,-	1	11
801	2 605 105 915	Housing Section BLUE	1	-,-	1	39
802	2 607 022 863	DC motor 12V	1	-,-	1	42
810	2 601 111 636	Warning Plate	1	-,-	1	13
816	2 607 034 904	Carbon-Brush Set	1	-,-	1	23
818	2 604 690 026	Spring Element	1	-,-	1	11
825	2 608 572 900	Keyless Chuck	1	-,-	1	41
845	2 606 200 931	Planetary Gear Train	1	-,-	1	44

Illustration - Type E



Information subject to change without further notice.