

## CIRCULAR SAW - 0 601 66E 139 - 4410

www.powertools-aftersaleservice.com



**BOSCH**

Item	Part Number	Description	Illustration	Price	Quantity	Price Group
1	2 610 915 750	Motor Housing	3	-,-	1	37
2	2 610 945 489	Field	1	-,-	1	-
3	2 610 915 752	Armature 115V	1	-,-	1	47
4	2 610 950 336	Switch	1	-,-	1	28
5	2 610 923 314	Mains Cable	1	-,-	1	-
6	2 610 915 755	Cord guard	1	-,-	1	10
7	2 610 921 465	Fastening Clamp	3	-,-	1	10
8	2 610 920 803	Nameplate	3	-,-	1	-
10	2 610 997 207	Carbon-Brush Set	3	-,-	2	26
13	2 610 911 928	Ball Bearing	3	-,-	1	24
14	2 610 911 927	Ball Bearing	3	-,-	1	31
16	2 610 915 761	Brush Holder	3	-,-	2	19
20	2 610 920 805	Warning Label	2	-,-	1	-
22	2 610 919 259	Base	2	-,-	1	-
23	2 610 919 261	Extension Stand	2	-,-	1	31
24	2 610 919 262	Extension Stand	2	-,-	1	33
25	2 610 919 260	Saw Table	1	-,-	1	50
26	2 610 919 263	Support	2	-,-	1	-
27	2 610 919 264	Support	2	-,-	1	-
28	2 610 919 265	Support	2	-,-	1	35
29	2 610 919 266	Bearing Pedestal	1	-,-	1	46
30	2 610 919 267	End cap	1	-,-	1	31
31	2 610 915 772	Handle	1	-,-	1	25
32	2 610 915 727	Handle	1	-,-	1	25
33	2 610 915 728	Bearing Pedestal	1	-,-	1	35
34	2 610 919 268	Gear Housing	3	-,-	1	46
35	2 610 927 691	Safety Cover	3	-,-	1	39
36	2 610 915 731	Intermediate Layer	3	-,-	1	34
37	2 610 915 732	Housing Cover	3	-,-	1	22
38	2 610 919 275	Housing Cover	3	-,-	1	28
39	2 610 915 734	Handle Cover	3	-,-	1	27
40	2 610 915 735	Bearing Pedestal	3	-,-	1	24
41	2 610 915 736	Bearing Pedestal	3	-,-	1	25

Item	Part Number	Description	Illustration	Price	Quantity	Price Group
42	2 610 915 737	Bearing Pedestal	3	-,-	1	28
43	2 610 915 738	Bearing Pedestal	3	-,-	1	28
44	2 610 915 739	Trigger	3	-,-	1	18
45	2 610 915 740	Button	3	-,-	1	17
46	2 610 915 741	Button	3	-,-	1	17
47	2 610 915 742	Linkage part	3	-,-	1	16
48	2 610 919 289	Pointer	1	-,-	1	13
49	2 610 915 744	Release Lever	3	-,-	1	23
50	2 610 915 745	Collar	3	-,-	1	22
51	2 610 915 746	Collar	3	-,-	1	22
52	2 610 915 747	Latch	3	-,-	1	18
53	2 610 915 748	Latch	3	-,-	1	17
54	2 610 949 175	Torsion Spring	3	-,-	1	16
55	2 610 915 704	Plate	3	-,-	1	16
56	2 610 919 286	Support Plate	1	-,-	1	19
57	2 610 915 706	Knob	1	-,-	1	26
58	2 610 919 285	Linkage	1	-,-	1	18
59	2 610 915 708	Holding Fixture	1	-,-	1	19
60	2 610 919 569	Leaf Spring	1	-,-	1	12
61	2 610 915 710	Cover	1	-,-	1	14
62	2 610 915 711	Lever	1	-,-	1	23
63	2 610 919 291	Bracket	1	-,-	1	27
64	2 610 919 270	Cam	1	-,-	1	11
65	2 610 915 714	Knob	1	-,-	1	19
66	2 610 915 715	Bracket	1	-,-	1	11
67	2 610 919 570	Cable Clip	2	-,-	1	11
68	2 610 915 717	Bracket	1	-,-	1	10
69	2 610 927 693	Wheel Guard	3	-,-	1	32
70	2 610 915 719	Plate	3	-,-	1	17
71	2 610 919 284	Linkage	3	-,-	1	19
72	2 610 919 274	Locking Lever	1	-,-	1	27
73	2 610 915 722	Baffle	3	-,-	1	14
74	2 610 919 290	Rod	1	-,-	1	27
75	2 610 915 724	Roller	3	-,-	2	11
76	2 610 919 271	Cam Ring	1	-,-	1	21
77	2 610 915 726	Push-Button	3	-,-	1	19
78	1 609 902 518	Stop Plate	2	-,-	1	16
79	2 610 915 687	Knob	2	-,-	3	18
80	2 610 915 688	Locking Lever	2	-,-	1	20
81	2 610 915 689	Locking Lever	2	-,-	1	20
82	2 610 915 690	Retaining Plate	1	-,-	2	12
83	2 610 915 691	Cover	1	-,-	2	11
84	2 610 919 288	Pointer	1	-,-	1	12
85	2 610 919 283	Pointer	1	-,-	1	10
86	2 610 915 694	Cable Cleat	1	-,-	2	22
88	2 610 921 478	Scale Plate	1	-,-	1	13
89	2 610 919 574	Stop Block	1	-,-	1	28
90	2 610 915 698	Wrench Socket	2	-,-	1	20
91	2 610 915 699	Rubber Bushing	2	-,-	1	20
92	2 610 915 700	Bearing Cover Plate	3	-,-	1	11
93	2 610 915 701	Retaining Plate	1	-,-	1	18
94	2 610 927 711	Gear Cover	3	-,-	1	27
95	2 610 911 863	Sliding Plate	2	-,-	2	20

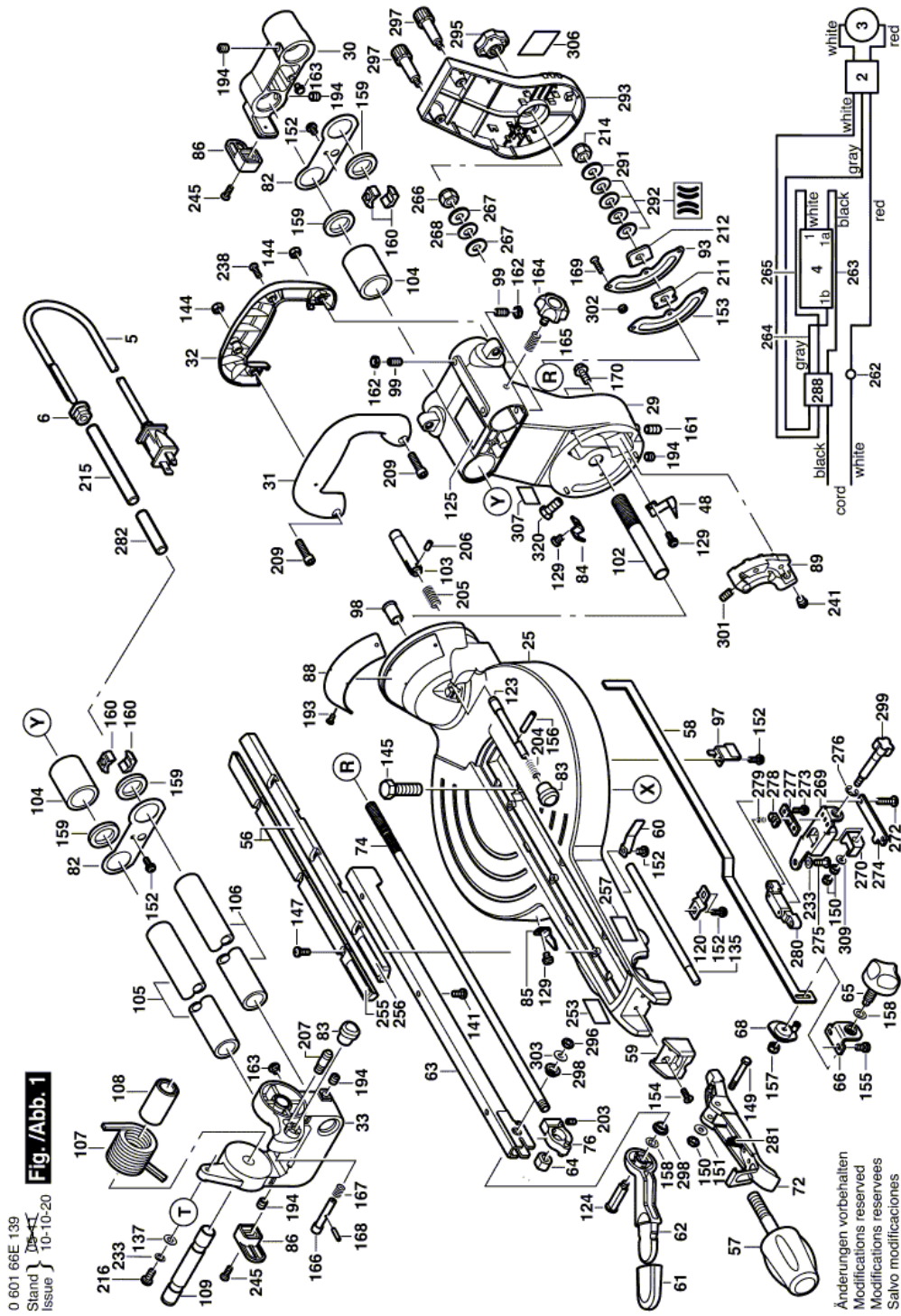
Item	Part Number	Description	Illustration	Price	Quantity	Price Group
97	2 610 916 459	Guide Bracket	1	-,-	1	11
98	2 610 916 460	Bushing	1	-,-	1	10
99	2 610 921 843	Screw	1	-,-	4	12
100	2 610 916 462	Detent Pin	3	-,-	1	14
102	2 610 919 580	Shaft old L=127mm	1	-,-	1	24
103	2 610 915 759	Detent Pin	1	-,-	1	16
104	2 610 915 760	Sliding Bearing	1	-,-	2	44
105	2 610 916 792	Sliding Rail	1	-,-	1	39
106	2 610 916 793	Sliding Rail	1	-,-	1	41
107	2 610 922 577	Torsion Spring	1	-,-	1	23
108	2 610 916 795	Sleeve	1	-,-	1	13
109	2 610 916 796	Shaft	1	-,-	1	19
110	2 610 919 577	Locking Pin	3	-,-	1	23
111	2 610 916 798	Toothed Gear	3	-,-	1	31
112	2 610 924 725	Shaft	3	-,-	1	-
113	2 610 920 804	Label	2	-,-	1	-
115	2 610 916 802	Brush-Cover Ø 22mm	3	-,-	2	13
116	2 610 916 803	Extension Shaft	2	-,-	4	20
117	2 610 916 804	Drive disk	3	-,-	1	14
118	2 610 921 197	Wide V-Belt	3	-,-	1	33
119	2 610 919 294	Pulley	3	-,-	1	26
120	2 610 916 807	Guide Plate	1	-,-	1	14
121	2 610 933 125	Counter Shaft	3	-,-	1	33
122	2 610 916 809	Wedge	3	-,-	3	11
123	2 610 916 810	Detent Pin	1	-,-	1	16
124	1 609 902 678	Lever Shaft	1	-,-	1	20
125	2 610 916 812	Sticker	1	-,-	1	15
126	2 610 911 886	Self-locking nut	2	-,-	1	10
127	2 610 911 887	Plain Washer	2	-,-	1	10
128	2 610 911 868	Spring Washer	2	-,-	1	10
129	2 610 911 907	Screw and washer assembly	1	-,-	5	10
130	2 610 911 908	Set screw	3	-,-	2	11
131	2 610 911 937	Shim	3	-,-	2	15
132	2 610 911 909	Flange	3	-,-	2	19
134	2 610 924 286	Trunnion	3	-,-	1	-
135	2 610 921 469	Rod	1	-,-	1	18
136	2 610 911 598	Shoulder Screw	3	-,-	1	11
137	2 610 911 599	Plain Washer	1	-,-	2	10
138	2 610 911 850	Spacer	3	-,-	1	10
139	2 610 911 872	Cable Clip	3	-,-	2	10
140	2 610 911 458	Screw	3	-,-	2	12
141	2 610 998 572	Screw	1	-,-	3	10
142	2 610 950 117	Screw	3	-,-	6	10
143	2 615 297 323	Screw	2	-,-	6	11
144	2 610 911 896	Nut	1	-,-	2	10
145	2 610 911 861	Hex Screw	1	-,-	1	15
146	2 610 356 437	Set screw	2	-,-	4	10
147	2 610 911 899	Screw	1	-,-	11	10
148	2 610 358 846	Rubber Bushing	2	-,-	4	11
149	2 610 911 918	Screw	1	-,-	1	13
150	2 610 911 901	Self-locking nut	1	-,-	3	11
151	2 610 347 092	Plain Washer	1	-,-	1	10
152	2 610 911 897	Screw	1	-,-	6	10

Item	Part Number	Description	Illustration	Price	Quantity	Price Group
153	2 610 919 287	Retaining Plate	1	-,-	1	16
154	2 610 911 900	Screw	1	-,-	2	10
155	2 610 910 784	Screw	1	-,-	2	10
156	2 610 997 274	Pin	1	-,-	1	10
157	2 610 355 332	Square Nut	1	-,-	1	11
158	2 610 921 458	Washer	1	-,-	2	10
159	2 610 911 589	Felt Washer	1	-,-	4	21
160	2 610 919 102	Clamping Block	1	-,-	4	18
161	2 610 911 914	Set screw	1	-,-	4	12
162	2 610 358 149	Nut	1	-,-	4	10
163	2 610 911 584	Rubber Pad	1	-,-	2	10
164	2 610 911 583	Knob	1	-,-	1	20
165	2 610 911 582	Spring	1	-,-	1	10
166	2 610 947 520	Bolt	1	-,-	1	-
167	2 610 911 576	Compression Spring	1	-,-	1	11
168	2 610 911 577	Retaining Pin	1	-,-	1	11
169	2 610 358 848	Screw	1	-,-	3	11
170	2 610 327 859	Screw 18,9 MM	1	-,-	2	10
171	2 610 911 911	Shoulder Screw	3	-,-	1	10
172	2 610 911 921	Round Rubber	3	-,-	1	10
173	2 610 911 938	Ball Bearing	3	-,-	1	26
174	2 610 911 883	Shoulder Screw	3	-,-	1	12
175	2 610 911 906	Washer	3	-,-	1	11
176	2 610 911 570	Hex Nut	3	-,-	1	10
177	2 610 953 068	Plain Washer	3	-,-	1	10
178	2 610 990 521	Spring retaining ring	3	-,-	2	10
179	2 610 004 925	Screw	3	-,-	2	14
180	2 610 358 812	Bolt	3	-,-	2	12
181	2 610 355 325	Spring Washer	3	-,-	2	10
183	2 610 327 846	Ball Bearing	3	-,-	1	27
185	2 610 317 505	Tapping Screw	3	-,-	2	10
186	2 610 993 102	Woodruff Key	3	-,-	1	12
187	2 610 997 281	Spring retaining ring	3	-,-	1	10
188	2 610 029 674	Washer	3	-,-	2	11
189	2 610 996 948	Rubber Ring	3	-,-	1	11
190	2 610 358 922	Needle-Roller Bearing	3	-,-	2	24
191	2 610 355 277	Screw	2	-,-	4	15
192	2 610 015 011	Washer	2	-,-	4	10
193	2 610 913 862	Screw	1	-,-	2	10
194	2 610 910 786	Set screw	1	-,-	5	10
195	2 610 919 060	Shoulder Screw	2	-,-	1	11
196	2 610 919 061	Compression Spring	2	-,-	2	10
197	2 610 926 010	Screw	2	-,-	1	15
198	2 610 926 011	Screw	2	-,-	1	15
199	2 610 912 556	Retaining snap ring	2	-,-	4	10
201	2 610 919 065	Screwdriver Bit	2	-,-	1	14
203	2 610 355 295	Screw	1	-,-	1	12
204	2 610 919 067	Compression Spring	1	-,-	1	10
205	2 610 919 068	Compression Spring	1	-,-	1	10
206	2 610 919 069	Spring Pin	1	-,-	1	11
207	2 610 911 873	Stop Screw	1	-,-	1	13
208	2 610 919 070	Shoulder Screw	2	-,-	1	11
209	2 610 919 071	Stop Screw	1	-,-	2	12

Item	Part Number	Description	Illustration	Price	Quantity	Price Group
210	2 610 320 304	Screw	3	-,-	3	10
211	2 610 919 072	Brake Plate	1	-,-	1	13
212	2 610 919 073	Brake Plate	1	-,-	1	21
214	2 615 297 331	Nut	1	-,-	1	11
215	2 610 948 208	Pvc Tube	1	-,-	1	-
216	2 610 919 075	Shoulder Screw	1	-,-	1	11
217	2 610 919 076	Shoulder Screw	3	-,-	1	11
218	2 610 327 867	Screw	3	-,-	5	10
219	2 610 998 575	Screw	3	-,-	4	10
221	2 610 919 077	Compression Spring	3	-,-	1	10
222	2 610 919 078	Pad	3	-,-	1	11
223	2 610 919 079	Ball Bearing	3	-,-	1	27
224	2 610 919 080	Compression Spring	3	-,-	1	10
225	2 610 358 869	Retaining snap ring	3	-,-	1	11
226	2 610 919 571	Device cap	3	-,-	1	10
228	2 610 358 928	Screw	3	-,-	4	11
229	2 610 911 569	Insert	3	-,-	2	13
230	2 610 327 868	Nut	3	-,-	2	10
231	2 610 921 464	Sleeve	3	-,-	1	10
232	2 610 911 929	Screw	3	-,-	2	10
233	2 610 911 450	Washer	1	-,-	2	11
234	2 610 911 566	Bearing cover	3	-,-	1	14
235	2 610 318 812	Screw	3	-,-	2	14
236	2 610 919 083	Retaining snap ring	3	-,-	1	10
237	2 610 919 084	Screw	3	-,-	2	11
238	2 610 320 330	Screw	1	-,-	4	10
239	2 610 919 085	Compression Spring	3	-,-	2	10
240	2 610 915 162	Screw	3	-,-	2	10
241	2 610 351 178	Hex Screw	1	-,-	1	11
242	2 610 945 488	Screw	3	-,-	6	-
243	2 610 919 086	Pin	3	-,-	1	12
244	2 610 919 087	Set screw	3	-,-	2	12
245	2 610 358 519	Screw	1	-,-	3	10
246	2 610 925 187	Nut	3	-,-	1	10
247	2 610 916 061	Stop Plate	3	-,-	1	17
249	2 610 917 658	Adjusting Wrench	2	-,-	1	22
250	2 610 006 436	Dust Bag	2	-,-	1	-
251	2 610 919 280	Suction Tube	3	-,-	1	17
252	2 610 919 089	Quick-Clamping Device	2	-,-	1	36
253	2 610 917 098	Label	1	-,-	1	12
254	2 610 911 658	Warning Plate	2	-,-	2	15
255	2 610 917 099	Label	1	-,-	1	12
256	2 610 917 096	Label	1	-,-	1	12
257	2 610 920 807	Sticker	1	-,-	1	-
259	2 610 917 097	Label	3	-,-	1	12
262	2 610 911 933	Connector	1	-,-	1	10
263	2 610 921 461	Wire	1	-,-	1	-
264	2 610 921 462	Wire	1	-,-	1	-
265	2 610 921 463	Wire	1	-,-	1	-
266	2 610 910 791	Nut	1	-,-	1	15
267	2 610 910 792	Washer	1	-,-	2	10
268	2 610 004 578	Plain Washer	1	-,-	1	-
269	2 610 919 296	Housing	1	-,-	1	-

Item	Part Number	Description	Illustration	Price	Quantity	Price Group
270	2 610 919 297	Locking Piece	1	-,-	1	-
272	2 610 921 470	Screw	1	-,-	2	-
273	2 610 921 471	Screw	1	-,-	2	-
274	2 610 919 301	Plate	1	-,-	1	-
275	2 610 921 472	Screw	1	-,-	1	-
276	2 610 921 475	Retaining snap ring	1	-,-	1	-
277	2 610 919 573	Plate	1	-,-	1	-
278	2 610 919 300	Latch	1	-,-	1	-
279	2 610 921 476	Spring	1	-,-	1	-
280	2 610 919 575	Bracket	1	-,-	1	-
281	2 610 921 477	Spring	1	-,-	1	11
282	2 610 921 479	Insulating Sleeve	1	-,-	1	-
283	2 610 921 480	Screw	3	-,-	2	16
284	2 610 921 481	Screw	3	-,-	1	10
286	2 610 921 512	Double head engin wrench	2	-,-	1	16
287	2 610 921 483	Hexagon Socket Wrench	2	-,-	1	17
288	2 610 921 484	Terminal Block	1	-,-	1	-
289	2 610 921 487	Shim	3	-,-	1	10
290	2 610 921 488	Cover	2	-,-	1	-
291	2 610 919 282	Plain Washer	1	-,-	1	10
292	2 610 919 281	Washer	1	-,-	4	15
293	2 610 919 272	Housing Cover old	1	-,-	1	34
294	2 610 919 279	Housing Cover	3	-,-	1	12
295	2 610 919 273	Nut old	1	-,-	1	15
296	2 610 921 459	Nut	1	-,-	1	10
297	2 610 921 460	Knob old	1	-,-	2	16
298	2 610 919 572	Bushing	1	-,-	2	10
299	2 610 919 298	Screw	1	-,-	1	-
300	2 610 921 464	Sleeve	3	-,-	1	10
301	2 610 921 466	Screw	1	-,-	1	10
302	2 610 921 467	Spacer	1	-,-	2	10
303	2 610 910 013	Washer	1	-,-	1	12
304	2 610 919 276	Screw	3	-,-	1	10
305	2 610 913 099	Plain Washer	3	-,-	1	10
306	2 610 920 808	Sticker	1	-,-	1	-
307	2 610 920 809	Sticker	1	-,-	1	-
309	2 610 002 585	Washer	1	-,-	1	-
317	2 610 923 939	Label	3	-,-	1	-
318	2 610 923 938	Label	3	-,-	1	-
320	2 610 906 037	Bolt	1	-,-	1	11
827	1 619 P03 312	Assembly Of Service Parts	3	-,-	1	20

Illustration - Type E



**Fig./Abb. 1**

0 601 66E 139  
Stand }  
Issue } 10-10-20

Änderungen vorbehalten  
Modifications reserved  
Modificaciones reservadas  
Salvo modificaciones

Illustration - Type E

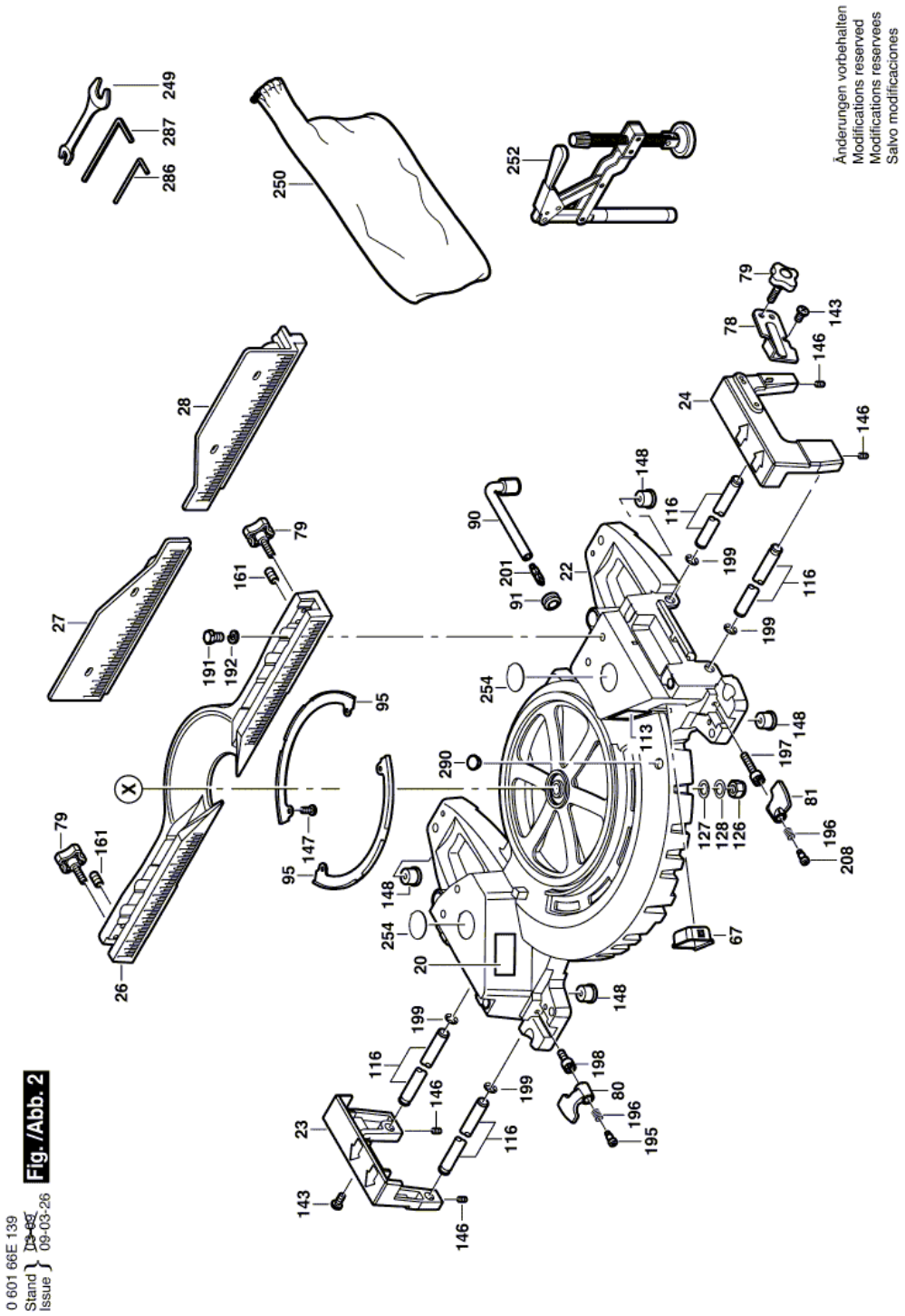
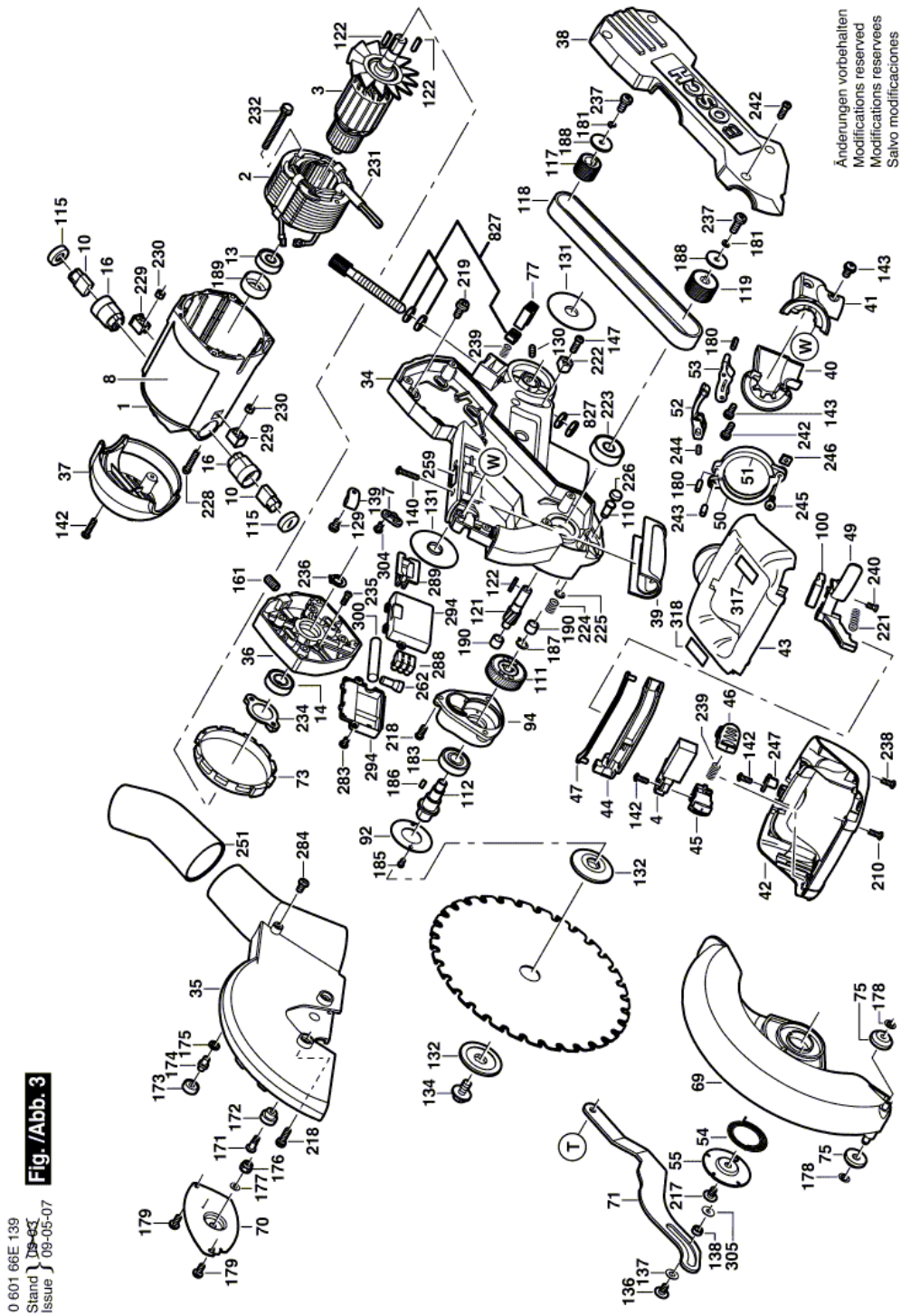




Illustration - Type E



Information subject to change without further notice.