

Table Saw - 3 601 M30 530 - GTS 10 J

www.powertools-aftersaleservice.com



BOSCH

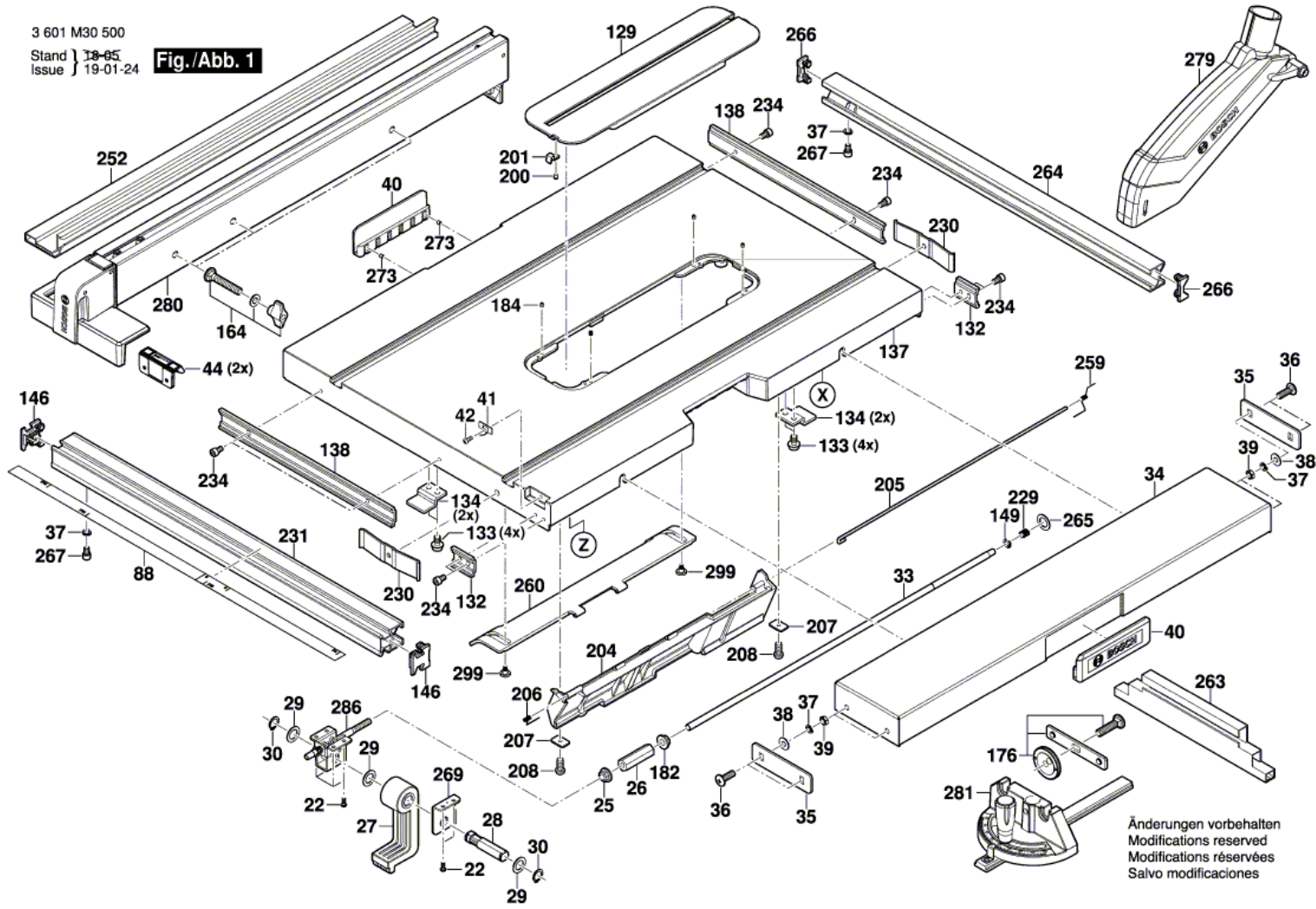
Item	Part Number	Description	Illustration	Price	Quantity	Price Group
1	2 610 016 996	Motor Housing alt	2	-,-	1	38
2	1 609 203 K86	Field 230V	2	-,-	1	40
3	1 619 P03 278	Armature 230V	2	-,-	1	47
4	2 610 016 997	Switch	3	-,-	1	38
5	2 610 019 124	Power supply cord	3	-,-	1	36
6	1 609 203 K96	Cable Clip	2	-,-	1	10
7	2 610 014 693	Cable Clip	3	-,-	1	10
8	2 610 016 767	Nameplate	3	-,-	1	13
10	2 610 018 332	Carbon-Brush Set	2	-,-	1	30
13	2 610 004 595	Ball Bearing	2	-,-	1	24
14	2 610 911 927	Ball Bearing	2	-,-	1	31
16	2 610 911 858	Brush Holder alt	2	-,-	2	27
16	2 610 013 003	Brush Holder new	2	-,-	2	20
18	2 610 015 078	Screw	3	-,-	4	10
19	2 610 017 002	Screw	3	-,-	2	10
22	2 610 014 697	Screw	1	-,-	6	10
25	2 610 014 698	Nut	1	-,-	1	10
26	2 610 996 920	Connecting Nut	1	-,-	1	18
27	2 610 014 699	Handle	1	-,-	1	19
28	2 610 015 000	Cam	1	-,-	1	23
29	2 610 015 001	Washer	1	-,-	3	10
30	2 610 015 002	Spring retaining ring	1	-,-	2	10
32	2 610 017 003	Pin	2	-,-	1	10
33	2 610 017 004	Rod	1	-,-	1	20
34	2 610 017 005	Extension Stand	1	-,-	1	36
35	2 610 015 006	Retaining Plate	1	-,-	2	12
36	2 610 910 015	Collar bolt	1	-,-	4	14
37	2 610 355 325	Spring Washer	1	-,-	4	10
38	2 610 910 013	Washer	1	-,-	4	12
39	2 610 015 008	Nut	1	-,-	4	10
40	2 610 015 009	Handle	1	-,-	2	18
41	2 610 015 010	Pointer	1	-,-	1	11
42	2 610 950 077	Screw	1	-,-	1	10

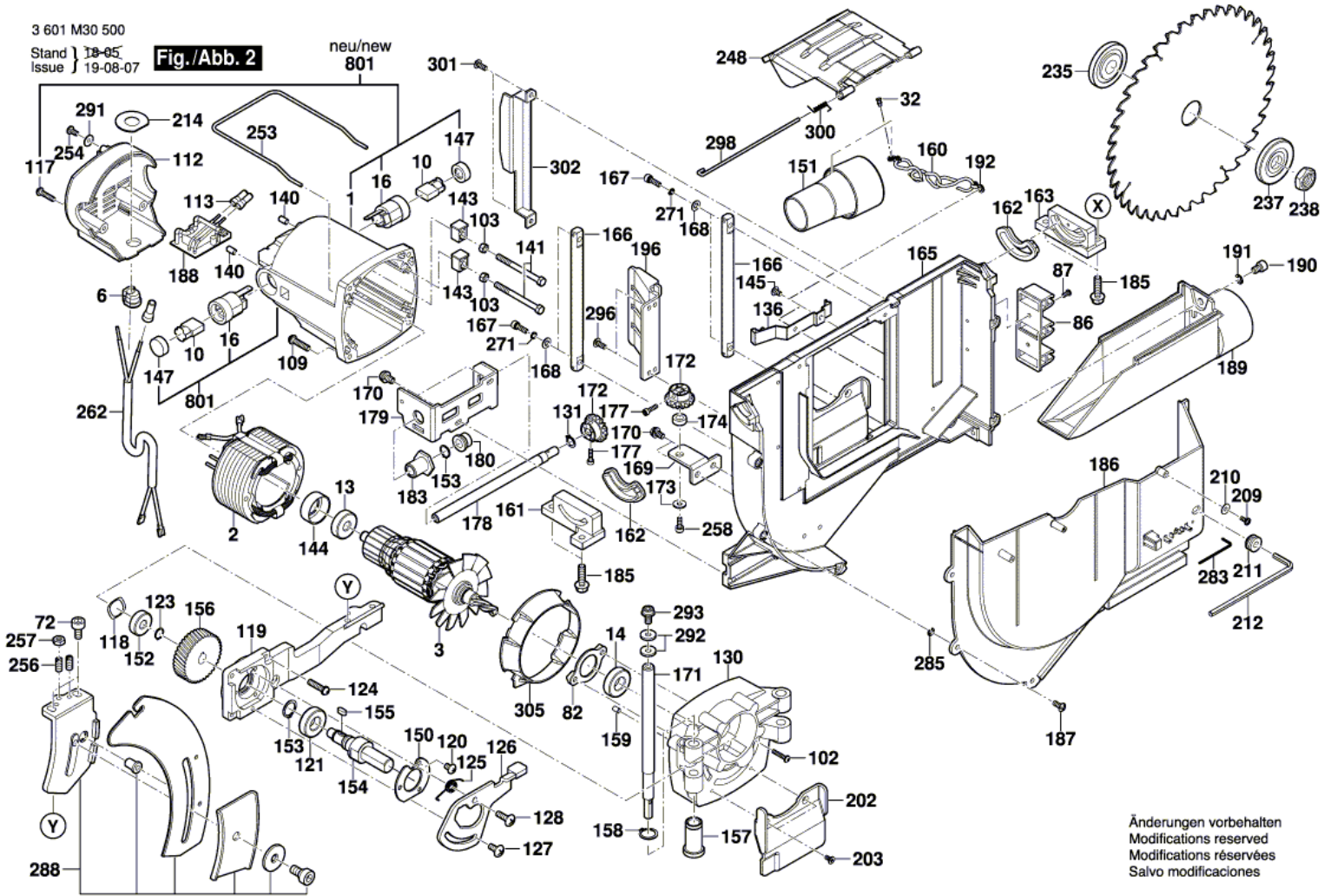
Item	Part Number	Description	Illustration	Price	Quantity	Price Group
44	2 610 023 173	Pad	1	-,-	2	12
72	2 610 950 069	Screw	2	-,-	6	10
73	2 610 015 011	Washer	3	-,-	2	10
74	2 610 015 012	Bolt	3	-,-	2	10
75	2 610 925 438	Washer	3	-,-	2	10
76	2 610 015 014	Supporting foot	3	-,-	4	17
77	2 610 015 015	Screw	3	-,-	8	10
78	2 610 015 016	Handle	3	-,-	1	24
79	2 610 015 017	Holding Plate	3	-,-	1	25
80	2 610 015 018	Screw	3	-,-	4	10
81	2 610 015 019	Key	3	-,-	1	21
82	2 610 911 566	Bearing cover	2	-,-	1	14
83	2 610 015 021	Nut	3	-,-	1	11
84	2 610 015 022	Workpiece Pusher	3	-,-	1	19
86	2 610 017 007	Support bracket	2	-,-	1	13
87	2 610 010 404	Screw	2	-,-	2	10
88	2 610 017 009	Scale	1	-,-	1	13
102	1 609 902 670	Screw	2	-,-	2	10
103	2 610 327 868	Nut	2	-,-	2	10
109	2 610 998 587	Screw	2	-,-	4	10
112	2 610 017 013	End cap	2	-,-	1	21
113	2 610 911 933	Connector	2	-,-	2	10
117	2 610 998 571	Screw alt	2	-,-	2	10
117	2 610 018 983	Screw new	2	-,-	2	10
118	2 610 950 042	Spring Washer	2	-,-	1	10
119	2 610 017 014	Cover	2	-,-	1	27
120	2 610 950 044	Screw	2	-,-	3	10
121	2 610 996 949	Ball Bearing	2	-,-	1	26
122	2 610 017 015	Filter	3	-,-	1	24
123	2 610 997 281	Spring retaining ring	2	-,-	1	10
124	2 610 998 572	Screw	2	-,-	5	10
125	2 610 996 875	Torsion Spring	2	-,-	1	11
126	2 610 996 874	Locking Lever	2	-,-	1	23
127	2 610 996 876	Shoulder Screw	2	-,-	1	11
128	2 610 998 588	Screw	2	-,-	1	11
129	2 610 017 111	Insert	1	-,-	1	33
130	2 610 017 017	Gear Housing	2	-,-	1	40
131	2 610 937 293	Retaining ring	2	-,-	1	10
132	2 610 015 026	Sliding Plate	1	-,-	2	15
133	2 610 950 108	Screw	1	-,-	4	10
134	2 610 015 027	Support Plate	1	-,-	2	10
136	2 610 017 008	Retaining clip	2	-,-	1	15
137	2 610 017 019	Table	1	-,-	1	55
138	1 600 A00 724	Mounting Rail	1	-,-	2	12
140	1 609 902 054	Set screw	2	-,-	2	10
141	2 610 911 929	Screw	2	-,-	2	10
142	2 610 911 901	Self-locking nut	3	-,-	4	11
143	2 610 911 569	Insert	2	-,-	2	13
144	2 610 996 948	Rubber Ring	2	-,-	1	11
145	2 610 950 071	Screw	2	-,-	2	10
146	2 610 015 030	End cap	1	-,-	2	11
147	2 610 911 859	Brush-Cover Ø 20mm	2	-,-	2	12
147	2 610 916 802	Brush-Cover Ø 22mm	2	-,-	1	13

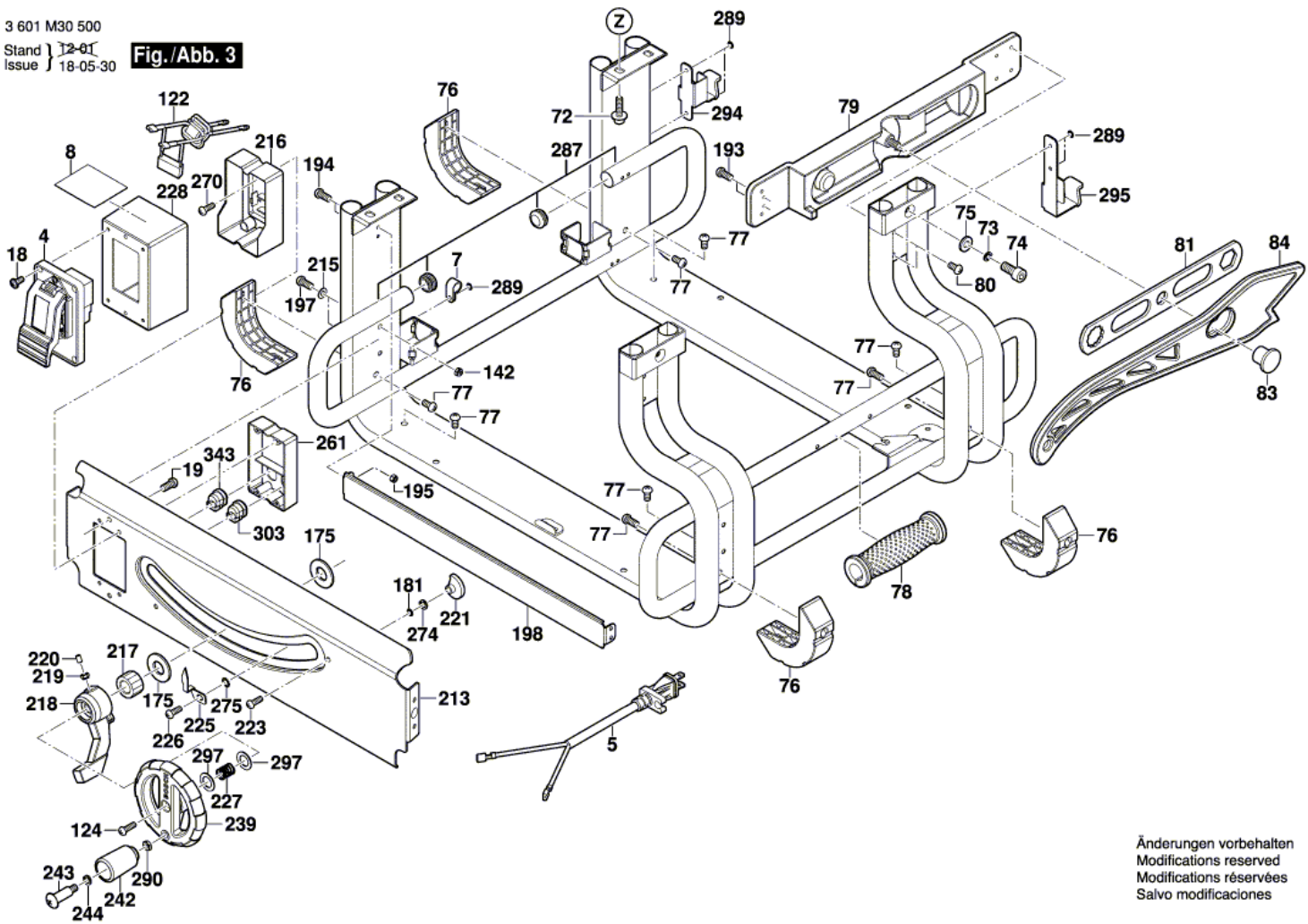
Item	Part Number	Description	Illustration	Price	Quantity	Price Group
149	2 610 015 031	Spring retaining ring	1	-,-	2	10
150	2 610 996 932	Bearing Sleeve	2	-,-	1	13
151	2 610 017 001	Vacuum Connection	2	-,-	1	18
152	2 610 997 210	Ball Bearing	2	-,-	1	26
153	2 610 997 282	Spring retaining ring	2	-,-	2	10
154	2 610 017 021	Spindle	2	-,-	1	33
155	2 610 012 984	Woodruff Key	2	-,-	1	10
156	2 610 997 208	Toothed Gear	2	-,-	1	35
157	2 610 017 018	Bushing	2	-,-	1	15
158	2 610 998 573	Spring retaining ring	2	-,-	1	10
159	2 610 950 427	Set screw	2	-,-	1	10
160	2 610 017 022	Chain	2	-,-	1	10
161	2 610 950 126	Mounting Bracket	2	-,-	1	21
162	2 610 950 070	Bushing	2	-,-	2	10
163	2 610 015 035	Support bracket	2	-,-	1	21
164	2 610 017 023	Fastening parts kit	1	-,-	1	26
165	2 610 017 024	Holding Plate	2	-,-	1	42
166	2 610 017 025	Rod	2	-,-	2	25
167	2 610 015 038	Bolt	2	-,-	4	11
168	2 610 015 039	Washer	2	-,-	4	10
169	2 610 015 040	Support Plate	2	-,-	1	16
170	2 610 950 055	Screw	2	-,-	4	10
171	2 610 017 026	Rod	2	-,-	1	21
172	2 610 015 042	Bevel Gear	2	-,-	2	13
173	2 610 013 162	Washer	2	-,-	1	10
174	2 610 015 043	Bushing	2	-,-	1	10
175	2 610 015 044	Washer	3	-,-	2	10
176	2 610 017 020	Fastening parts kit	1	-,-	1	30
177	2 610 015 045	Screw	2	-,-	2	10
178	2 610 017 027	Shaft	2	-,-	1	21
179	2 610 015 047	Support Plate	2	-,-	1	17
180	2 610 015 048	Bushing	2	-,-	1	10
181	2 610 016 557	Washer	3	-,-	2	10
182	2 610 016 558	Nut	1	-,-	1	10
183	2 610 015 049	Bushing	2	-,-	1	20
184	2 610 013 053	Set screw	1	-,-	4	10
185	2 610 016 559	Screw	2	-,-	4	10
186	2 610 015 050	Cover	2	-,-	1	25
187	2 610 950 049	Screw	2	-,-	5	10
188	2 610 017 037	Electronics Module	2	-,-	1	40
189	2 610 015 051	Dust-Cover Holder	2	-,-	1	22
190	2 610 015 052	Screw	2	-,-	1	10
191	2 610 015 053	Spring retaining ring	2	-,-	1	10
192	2 610 017 028	Retaining clip	2	-,-	2	10
193	2 610 016 560	Stud bolt	3	-,-	2	10
194	2 610 016 561	Screw	3	-,-	2	10
195	2 610 925 187	Nut	3	-,-	2	10
196	2 610 015 055	Guard Plate	2	-,-	1	11
197	2 610 950 132	Screw	3	-,-	4	10
198	2 610 015 073	Plate	3	-,-	1	21
200	2 610 017 029	Screw	1	-,-	1	10
201	2 610 017 030	Spring Clip	1	-,-	1	10
202	2 610 017 033	Safety Guard	2	-,-	1	15

Item	Part Number	Description	Illustration	Price	Quantity	Price Group
203	2 610 950 439	Screw	2	-,-	2	10
204	2 610 015 054	Guard Plate	1	-,-	1	21
205	2 610 016 562	Rod	1	-,-	1	10
206	2 610 016 563	Contact strap	1	-,-	1	10
207	2 610 923 830	Plate	1	-,-	2	10
208	2 610 010 404	Screw	1	-,-	2	10
209	2 610 017 031	Screw	2	-,-	3	10
210	2 610 015 058	Washer	2	-,-	3	10
211	2 610 911 920	Rubber Bushing	2	-,-	1	10
212	2 610 015 059	Wrench Socket	2	-,-	1	11
213	2 610 017 032	Holding Plate	3	-,-	1	36
214	2 610 017 110	Washer	2	-,-	1	12
215	2 610 347 092	Plain Washer	3	-,-	4	10
216	2 610 017 046	Insulator	3	-,-	1	15
217	2 610 015 061	Bushing	3	-,-	1	13
218	2 610 015 062	Handle	3	-,-	1	20
219	2 610 924 961	Nut	3	-,-	1	10
220	2 610 015 359	Screw	3	-,-	1	10
221	2 610 015 063	Cam	3	-,-	2	18
223	2 610 950 049	Screw	3	-,-	2	10
225	2 610 015 064	Pointer	3	-,-	1	12
226	2 610 015 065	Screw	3	-,-	1	10
227	2 610 013 054	Contact strap	3	-,-	1	10
228	2 610 015 066	Switch Housing	3	-,-	1	18
229	2 610 015 067	Spring	1	-,-	1	10
230	2 610 996 912	Fixing Plate	1	-,-	2	18
231	2 610 015 091	Sliding Rail	1	-,-	1	37
234	2 610 951 945	Screw	1	-,-	8	10
235	1 609 203 K93	Clamping Flange	2	-,-	1	24
237	2 610 950 046	Washer	2	-,-	1	24
238	2 610 358 858	Nut	2	-,-	1	13
239	2 610 015 069	Handwheel	3	-,-	1	22
242	2 610 950 059	Handle	3	-,-	1	10
243	2 610 950 060	Screw	3	-,-	1	12
244	2 610 950 389	Washer	3	-,-	1	10
248	2 610 017 034	Safety Cover	2	-,-	1	15
252	2 610 017 035	Mitre Fence	1	-,-	1	31
253	2 610 017 036	Rod	2	-,-	1	11
254	2 610 017 052	Screw	2	-,-	1	10
256	2 610 998 580	Screw	2	-,-	2	10
257	2 610 017 038	Nut	2	-,-	1	10
258	2 610 015 070	Screw	2	-,-	1	10
259	2 610 016 565	Contact strap	1	-,-	1	10
260	2 610 017 039	Safety Cover	1	-,-	1	23
261	2 610 015 071	Switch Housing	3	-,-	1	13
262	2 610 017 040	Connecting Cable	2	-,-	1	20
263	2 610 017 041	Mitre Fence	1	-,-	1	32
264	2 610 015 074	Rail	1	-,-	1	36
265	2 610 015 075	Washer	1	-,-	2	10
266	2 610 015 076	Device cap	1	-,-	2	10
267	2 610 950 134	Bolt	1	-,-	2	10
269	2 610 015 077	Plate	1	-,-	1	15
270	2 610 950 117	Screw	3	-,-	4	10

Item	Part Number	Description	Illustration	Price	Quantity	Price Group
271	2 610 013 365	Spring Washer	2	-,-	4	10
273	2 610 015 080	Screw	1	-,-	2	10
274	2 610 950 135	Washer	3	-,-	2	10
275	2 610 016 566	Washer	3	-,-	1	10
279	2 610 018 328	Protective Cover	1	-,-	1	31
280	2 610 017 047	Mitre Fence	1	-,-	1	46
281	2 610 015 507	Mitre Gauge	1	-,-	1	32
283	2 610 016 567	Hexagon Socket Wrench	2	-,-	1	11
285	2 610 023 174	Serrated Lock-Washer	2	-,-	5	10
286	2 610 015 093	Lock	1	-,-	1	34
287	2 610 017 048	Base	3	-,-	1	50
288	2 610 017 049	Riving Knife	2	-,-	1	40
289	2 610 017 050	Rod	3	-,-	1	10
290	2 610 950 389	Washer	3	-,-	1	10
291	2 610 017 051	Washer	2	-,-	1	10
292	2 610 950 109	Washer	2	-,-	2	10
293	2 610 950 108	Screw	2	-,-	1	10
294	2 610 017 053	Holder	3	-,-	1	22
295	2 610 017 054	Holder	3	-,-	1	22
296	2 610 015 065	Screw	2	-,-	4	10
297	2 610 015 001	Washer	3	-,-	2	10
298	2 610 017 056	Rod	2	-,-	1	11
299	2 610 017 057	Screw	1	-,-	2	10
300	2 610 017 058	Torsion Spring	2	-,-	1	10
301	2 610 015 065	Screw	2	-,-	1	10
302	2 610 017 060	Safety Guard	2	-,-	1	13
303	2 610 020 856	Cable Clip	3	-,-	1	10
305	2 610 020 858	Baffle	2	-,-	1	13
343	2 610 020 856	Cable Clip	3	-,-	2	10
344	2 610 020 859	Cable Clip	N/A	-,-	1	10
801	1 619 PB2 531	Motor Housing new	2	-,-	1	33







Information subject to change without further notice.