

Cordl Perc Screwdr - 3 601 JC1 110 - HDH361

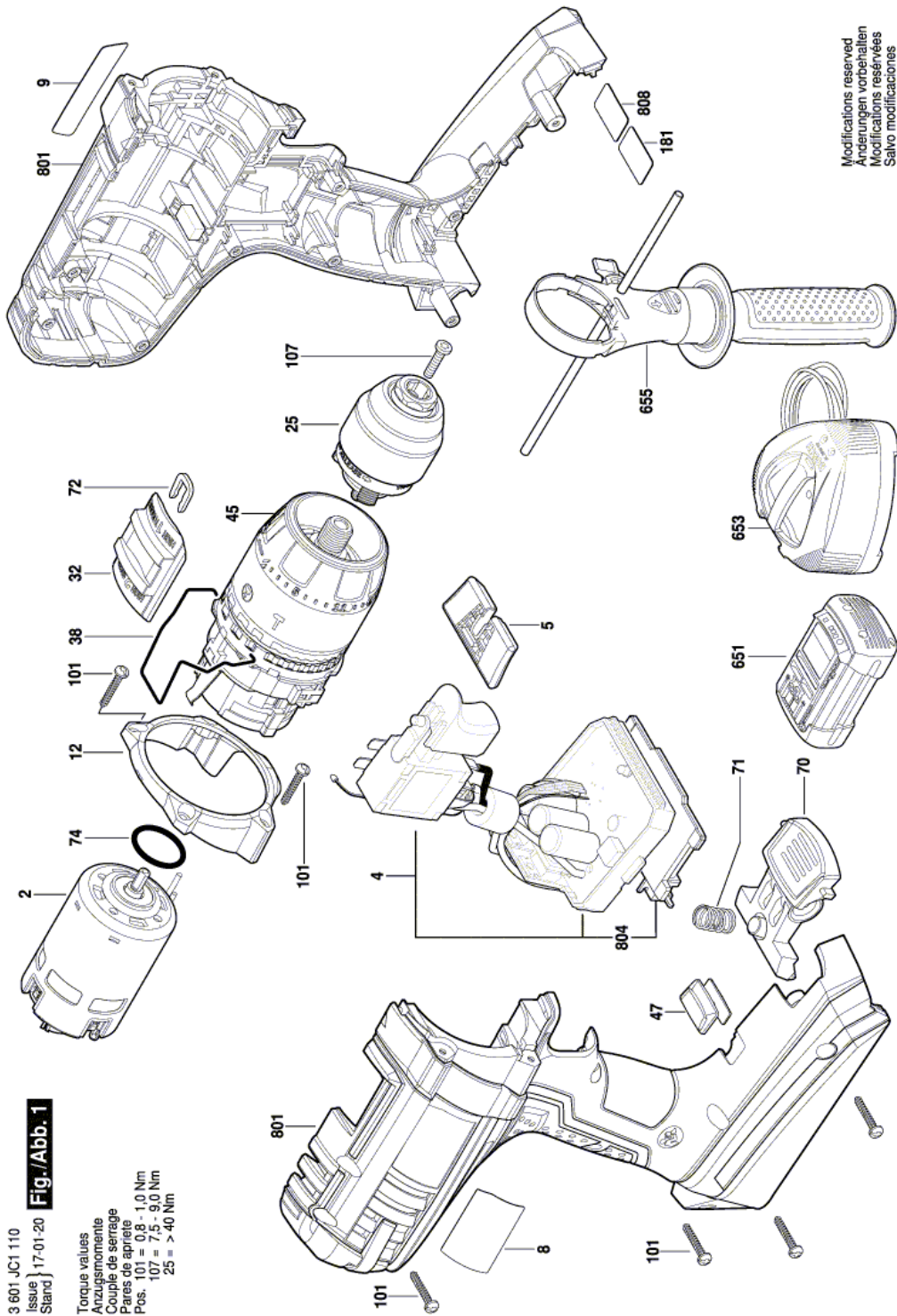
www.powertools-aftersaleservice.com



BOSCH

Item	Part Number	Description	Illustration	Price	Quantity	Price Group
2	1 607 022 647	DC motor	1	-,-	1	47
4	1 607 233 511	Electronics Module	1	-,-	1	48
5	2 609 100 877	Adjusting lever	1	-,-	1	10
8	2 609 136 117	Warning Plate	1	-,-	1	13
9	2 609 136 119	Manufacturer's nameplate Lithium Ion 36V	1	-,-	1	13
12	2 609 111 024	Front Cap	1	-,-	1	19
25	2 609 111 104	Keyless Chuck	1	-,-	1	39
32	2 609 100 878	Adjusting lever	1	-,-	1	11
38	2 609 111 021	Switch Spring	1	-,-	1	10
45	2 609 199 459	Gear Box	1	-,-	1	49
47	2 609 101 350	Lens	1	-,-	1	17
70	2 609 101 166	Push Button RED	1	-,-	1	13
71	2 609 111 696	Compression Spring	1	-,-	1	11
72	2 609 110 537	Clip	1	-,-	1	11
74	2 609 170 226	O-Ring	1	-,-	1	12
101	2 609 110 353	Torx Oval-Head Screw	1	-,-	13	10
107	2 603 421 229	Countersunk-Head Screw M6x23	1	-,-	1	11
181	2 609 134 887	Reference Plate	1	-,-	1	13
651	2 607 336 891	Slide-In Accu Package BAT838 36V 4,0Ah	1	-,-	1	-
653	2 607 225 905	Fast Charger USA/CND GAL 3680 CV 120/14,4-36V	1	-,-	1	47
655	2 609 199 583	Auxiliary Handle	1	-,-	1	27
801	2 609 199 709	Housing Section BLUE	1	-,-	1	33
804	1 609 280 425	Contact retainer	1	-,-	1	27
808	2 609 136 132	Nameplate	1	-,-	1	13

Illustration - Type E



Modifications reserved
 Änderungen vorbehalten
 Modificaciones reservadas
 Salvo modificaciones

3 601 JC1 110
 Issue 17-01-20
 Stand } **Fig./Abb. 1**
 Torque values
 Anzugsmomente
 Couple de serrage
 Pares de apriete
 Pos. 101 = 0,8 - 1,0 Nm
 107 = 7,5 - 9,0 Nm
 25 = > 40 Nm

Information subject to change without further notice.