

## Belt Sander - 0 603 270 635 - PBS 75 AE

www.powertools-aftersaleservice.com



**BOSCH**

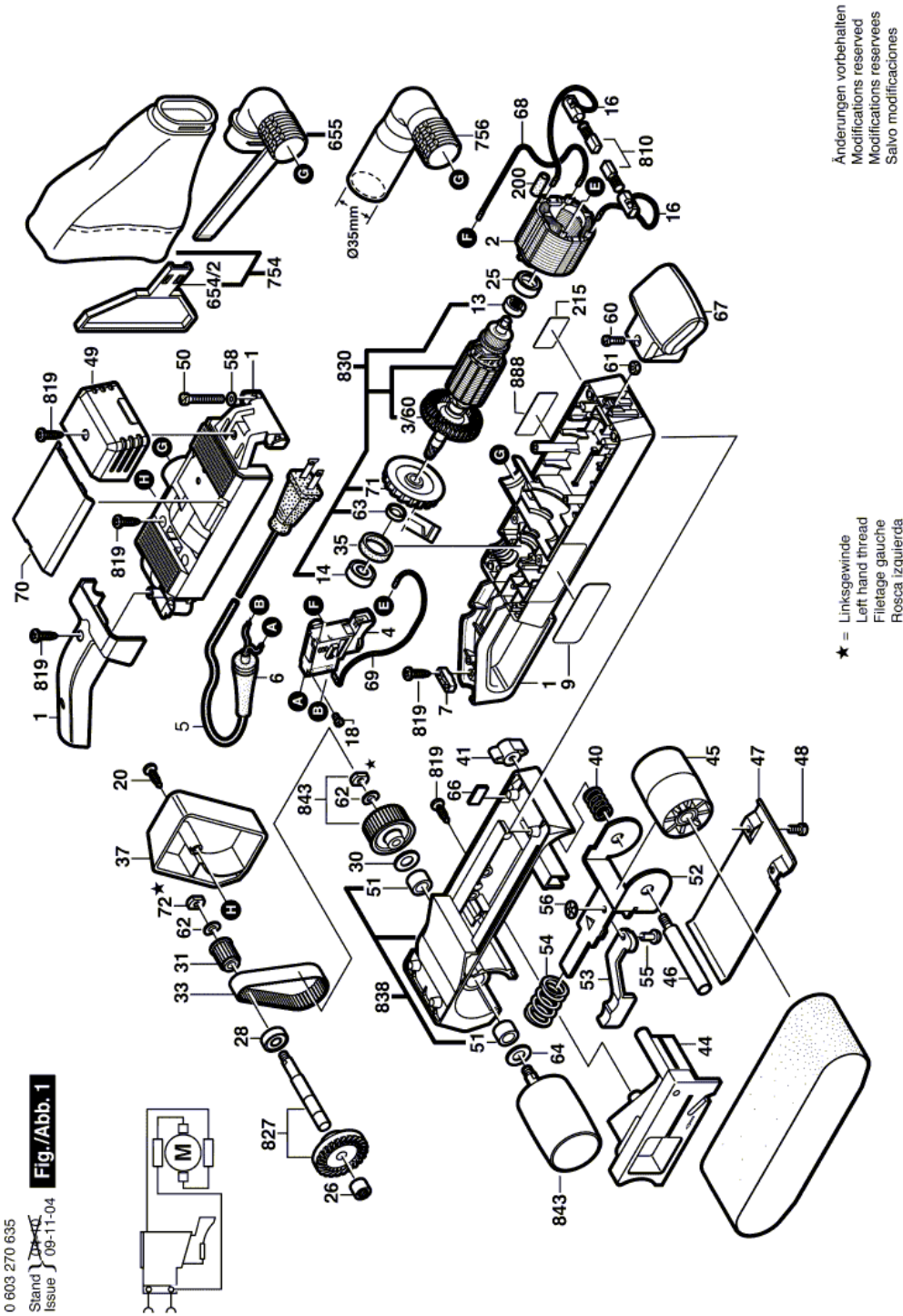
Item	Part Number	Description	Illustration	Price	Quantity	Price Group
	1 2 605 104 549	Motor Housing BLUE	1	-,-	1	34
	2 2 604 220 704	Field 120V	1	-,-	1	31
3/60	2 606 610 049	Fan	1	-,-	1	12
	4 2 607 200 385	Switch	1	-,-	1	35
	5 1 614 460 189	Power supply cord	1	-,-	1	-
	6 2 600 703 018	Grommet Ø7,3-Ø8,6x76 MM	1	-,-	1	13
	7 2 601 035 001	Cable Clip	1	-,-	1	11
	9 2 601 118 497	Manufacturer's nameplate SUNNY SIDE	1	-,-	1	15
13	2 605 805 008	Flanged Bearing	1	-,-	1	17
14	1 610 905 011	Deep-Groove Ball Bearing 9x24x7	1	-,-	1	26
16	2 604 449 026	Brush Holder	1	-,-	2	11
18	2 603 410 001	Socket head cap screw M3x6,5-4.8	1	-,-	2	11
20	2 603 490 023	Torx Oval-Head Screw 4x20	1	-,-	1	10
25	1 600 502 011	Intermediate Ring	1	-,-	1	11
26	2 600 910 001	Needle bearing Ø14 MM	1	-,-	1	16
28	1 900 905 041	Deep-Groove Ball Bearing 8x22x7	1	-,-	1	25
30	2 600 100 099	Shim	1	-,-	1	11
31	2 606 625 907	Toothed Belt Wheel	1	-,-	1	14
33	2 604 736 010	Toothed Belt Z=75	1	-,-	1	24
35	1 600 206 024	Intermediate Ring	1	-,-	1	11
37	1 605 510 150	Covering hood BLACK	1	-,-	1	16
40	2 604 630 002	Compression Spring	1	-,-	1	11
41	2 603 339 005	Wing Nut	1	-,-	1	13
44	1 608 005 003	Base GREEN	1	-,-	1	21
45	2 606 625 900	Roller	1	-,-	1	27
46	1 603 521 027	Axle	1	-,-	1	22
47	2 601 098 040	Base Plate	1	-,-	1	20
48	2 603 410 045	Socket head cap screw DIN 84-M5x10-4.8	1	-,-	2	11
49	1 605 500 122	Brush-Cover BLACK	1	-,-	1	18
50	2 910 011 170	Socket head cap screw DIN 84-BM5x40-5.8	1	-,-	4	11
51	1 900 301 018	Sintered-Metal Bushing DIN 1850-J12x18x12	1	-,-	2	23
52	1 605 807 013	Bearing Bracket	1	-,-	1	21
53	1 602 098 006	Tensioning Lever BLACK	1	-,-	1	13

Item	Part Number	Description	Illustration	Price	Quantity	Price Group
54	1 604 619 017	Compression Spring	1	-,-	1	12
55	2 917 030 710	Button-Head Rivet DIN 660-5x12-AL	1	-,-	1	10
56	1 600 146 001	Locking Washer	1	-,-	2	11
58	2 916 060 006	Spring Washer DIN 137-A5-FST	1	-,-	1	10
60	2 910 021 126	Socket head cap screw DIN 84-AM4x16-8.8	1	-,-	1	10
61	2 915 011 005	Hex Nut DIN 934 -M4-m-8	1	-,-	1	10
62	2 916 061 007	Spring Washer DIN 137-A6-FST	1	-,-	2	10
63	2 600 290 033	Seal ring	1	-,-	1	15
64	1 600 101 618	Shim 0,3 MM THICK	1	-,-	2	11
66	1 601 010 007	Ceramic Plate	1	-,-	1	13
67	1 605 133 036	Handle BLACK	1	-,-	1	20
68	1 604 438 018	Connecting Cable L=410 MM WHITE	1	-,-	1	11
69	1 604 448 000	Connecting Cable L=373 MM WHITE	1	-,-	1	12
70	1 605 500 120	Housing Cover BLACK	1	-,-	1	13
71	1 606 610 120	Fan	1	-,-	1	13
72	2 603 300 015	Hex Nut	1	-,-	1	10
200	1 610 712 034	Shrinkable Tube	1	-,-	4	11
215	2 601 118 515	Manufacturer's nameplate SUNNY SIDE	1	-,-	1	15
654/2	2 608 040 102	Transport Bracket	1	-,-	1	15
655	2 605 702 029	Fitting	1	-,-	1	14
754	1 605 411 025	Dust Bag	1	-,-	1	-
756	2 600 499 045	Fitting Ø 35 MM	1	-,-	1	-
810	2 604 321 905	Carbon-Brush Set	1	-,-	1	23
819	2 912 401 420	Tapping Screw DIN7981-ST3,9x19-F-Z	1	-,-	11	10
827	2 606 333 900	Crown Gear Z=45	1	-,-	1	29
830	2 604 010 934	Armature 110-115V	1	-,-	1	45
838	2 605 190 900	Housing	1	-,-	1	38
843	2 606 625 905	Roller	1	-,-	1	31
888	1 601 106 032	Nameplate 26x52 MM	1	-,-	1	13

Product information Belt Sander - 0 603 270 635 - PBS 75 AE

Product No	0 603 270 635
Description	251.267; Belt Sander
DIN-Text	
ID_Text_Ext	0
Trading_Description	PBS 75 AE
Voltage_1	120 V
ID_Country_Product	USA

Illustration - Type E



Information subject to change without further notice.