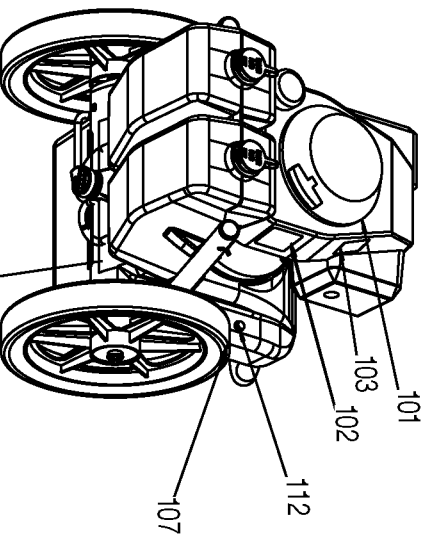


Torque to
120-240 in.-lbs.



125

106

109

101

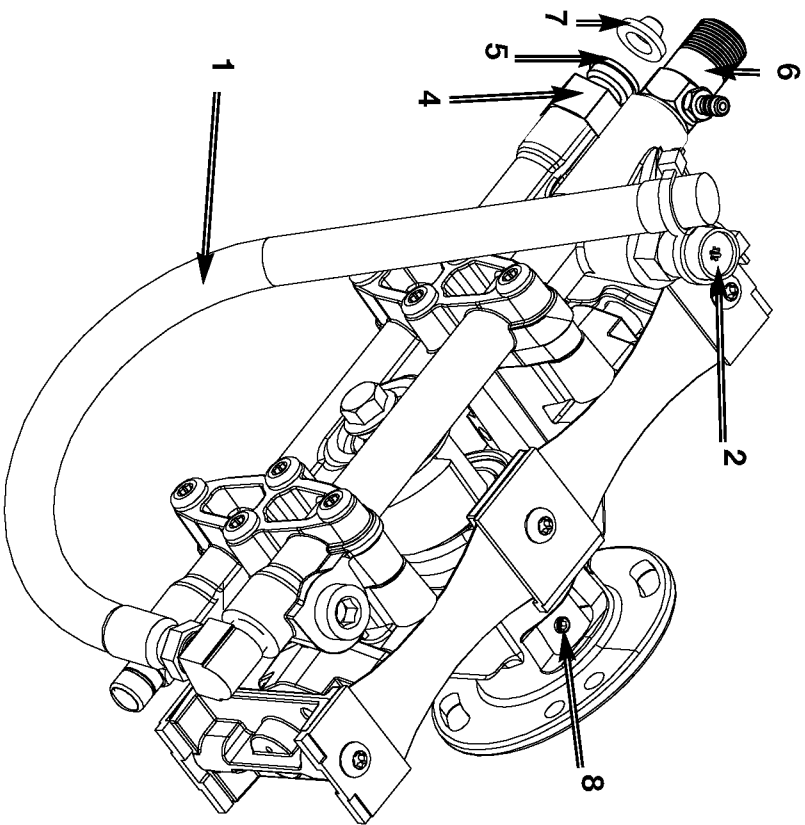
102

103

107

108

115



Parts List for 919-67219 Type 1

Item Number	Part Number	Description	Qty Required
1	A16746	HOSE PULSE 3/8 12 22	1
2	A03928SV	UNLOADER KIT	1
4	H061	NUT SWIVEL GARDENHOS	1
5	H068	SWIVEL 3/8 MALE	1
6	A19986	INJECTOR 1.8MM FIXED	1
7	F187	SCREEN GARDEN HOSE 3	1
8	D25006	SCREW SET 5/16-24 .4	1
101	000000-00	No Longer Available	1
104	000000-00	No Longer Available	1
105	A06113	SCREW	1
106	000000-00	No Longer Available	1
109	000000-00	No Longer Available	1
110	000000-00	No Longer Available	1
112	D22308	SCREW .313-18X2.22 H	1
114	D21197	PLUG TUBE 1.25 OD 18	1
115	D22692	NUT 5/16-18 FLANGEHE	1
116	000000-00	No Longer Available	2
117	D22268	ISOLATOR RECESSED RU	1
118	91895680	SCREW .250-20X.750 H	1
119	W137	NUT .50 PAL	1
123	000000-00	No Longer Available	1
125	000000-00	No Longer Available	1
126	000000-00	No Longer Available	1
856	H140	HOSE ASSY CHEMICAL	1