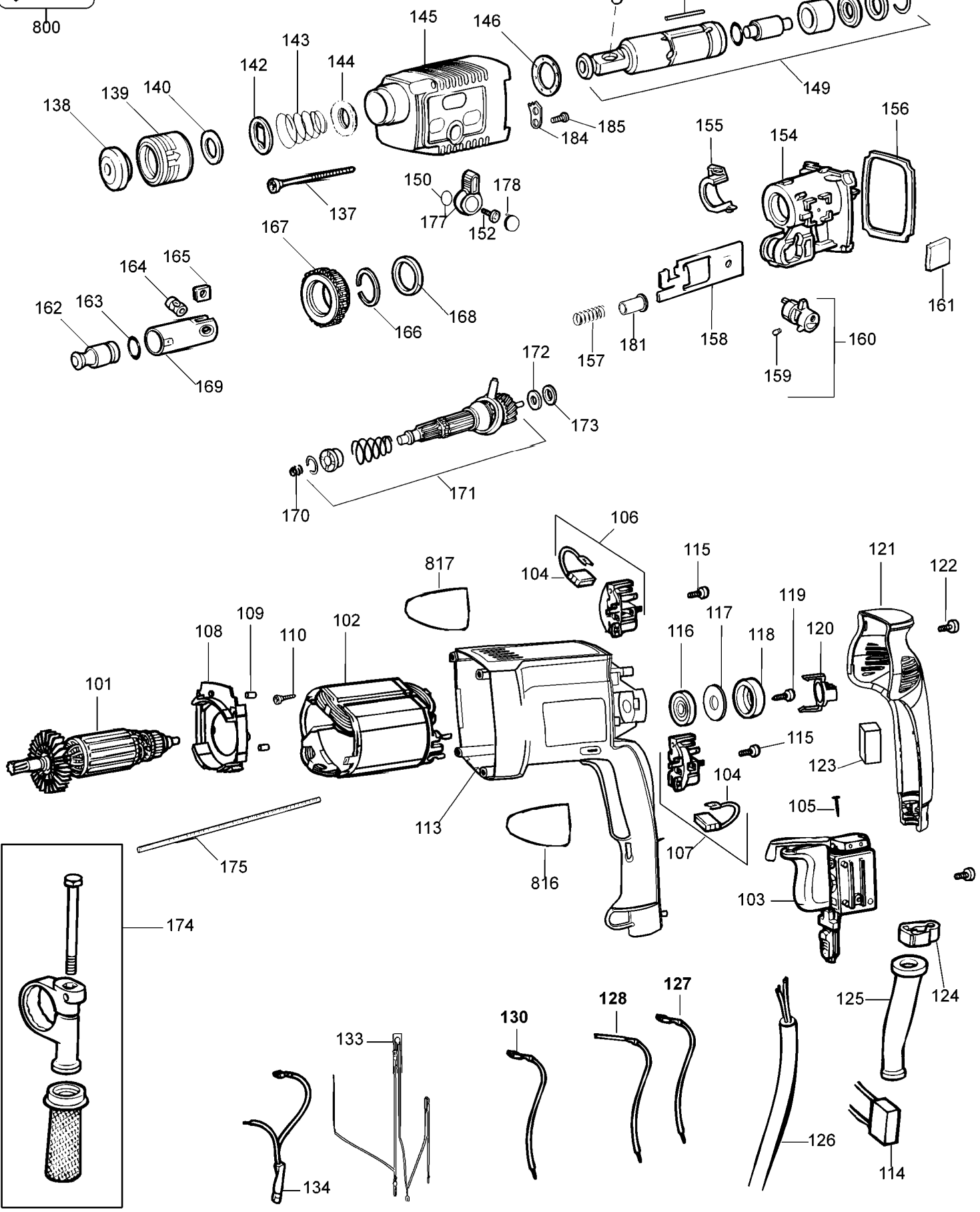




800



Parts List for D25003K-BR Type 2

Item Number	Part Number	Description	Qty Required
101	585289-03	ARMATURE 115V	1
102	585290-04	FIELD 115V	1
103	176830-19	SWITCH,VSR	1
104	401853-00	BRUSH	2
105	402760-01	PIN	1
106	403222-02	BRUSH HOLDER	1
107	403222-05	BRUSH HOLDER	1
108	327293-00	BAFFLE,FAN	1
109	949638-01	PLUG,RUBBER	2
110	5103541-00	SCREW	2
113	327290-05	HOUSING	1
114	949877-01	CAPACITOR	1
115	330065-06	SCREW	2
116	330003-19	BEARING,BALL	1
117	949876-25	WASHER	1
118	870052-00	BEARING COVER	1
119	329794-00	SCREW	1
120	327296-00	GUIDE,CABLE	1
121	327298-01	COVER,SWITCH	1
122	330065-07	SCREW	3
123	930026-01	BUMPER	1
124	402648-00	CLAMP,CORD	1
125	401088-01	PROTECTOR,CORD	1
126	582573-02	CORD SET	1
127	949801-86	LEAD(BLACK)	1
128	949801-85	LEAD,BLACK	1
130	578984-02	LEAD	1

Parts List for D25003K-BR Type 2

Item Number	Part Number	Description	Qty Required
133	578985-00	CHOKE	1
134	945402-19	CHOKE	1
137	324044-02	SCREW	4
138	323489-00	CAP	1
139	576756-00	COLLAR	1
140	323480-00	SPACER	1
142	578387-00	WASHER	1
143	871690	SPRING	1
144	324432-00	WASHER	1
145	329968-01SV	GEAR CASE	1
146	329907-00	WASHER	1
147	870953-00	BALL	1
148	325880-05	PIN	1
149	577080-01	SPINDLE ASSY.	1
150	916323-00	SEAL	1
152	323924-08	SCREW,M3.5 X 12	1
154	327100-00S	CASTING	1
155	328507-00	SHIELD	1
156	323572-00	SEAL	1
157	323395-16	SPRING	1
158	487047-49	CAM & PLATE	1
159	326467-00	DETENT	1
160	327094-01	CAM	1
161	327093-00	FILTER	1
162	N032136	RAM	1
163	577168-00	O RING	1
164	487143-00	AXLE	1

Parts List for D25003K-BR Type 2

Item Number	Part Number	Description	Qty Required
165	327072-00	SHIM	1
166	323762-02	CIRCLIP	1
167	487401-00	CLUTCH ASSY.	1
168	327074-00	RING	1
169	487067-00	PISTON	1
170	323395-33	SPRING	1
171	327101-01S	INTERSHAFT	1
172	324430-03	BEARING	1
173	324431-03	WASHER	1
174	939794-02	HANDLE,SIDE	1
175	580787-00	DEPTH STOP	1
177	327119-00	LEVER	1
178	328809-00	COVER	1
181	329211-00	SLEEVE	1
184	577058-00	LOCKING PLATE	1
185	930553-00	SCREW	2
800	870889-02	GREASE	1
816	395047-00	ID LABEL	1
817	495650-00	NAME PLATE	1
861	491057-00	KIT BOX	1