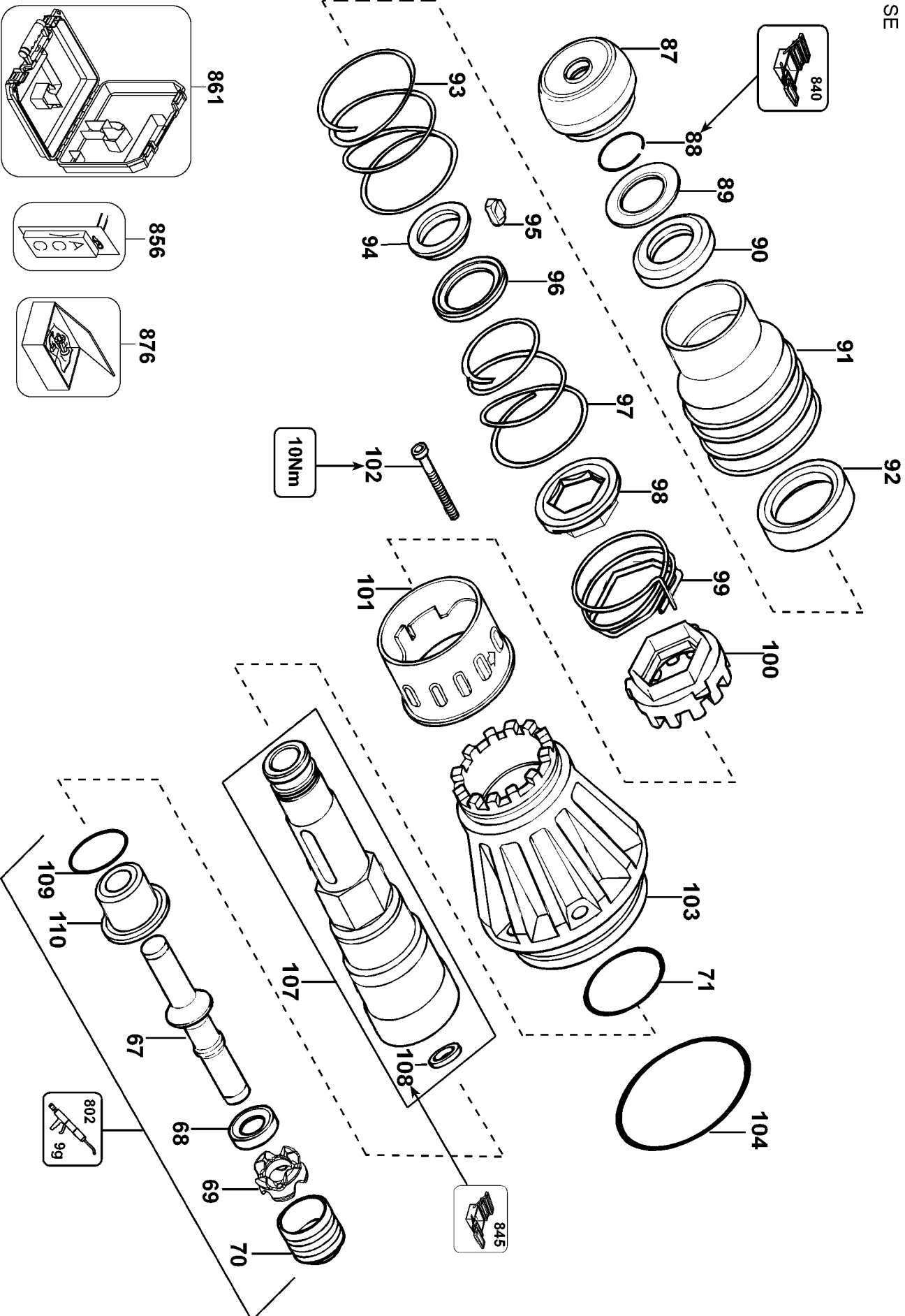
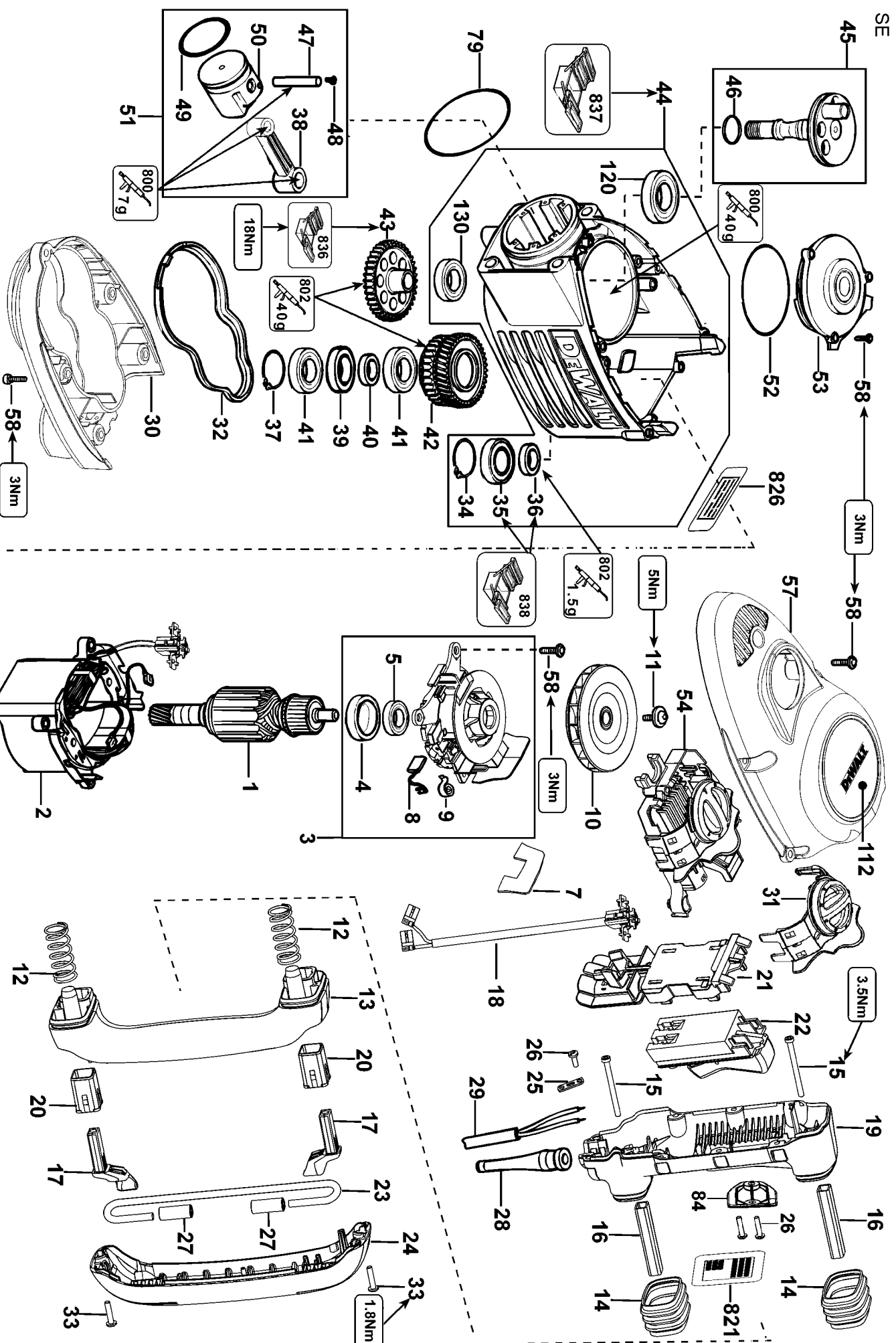


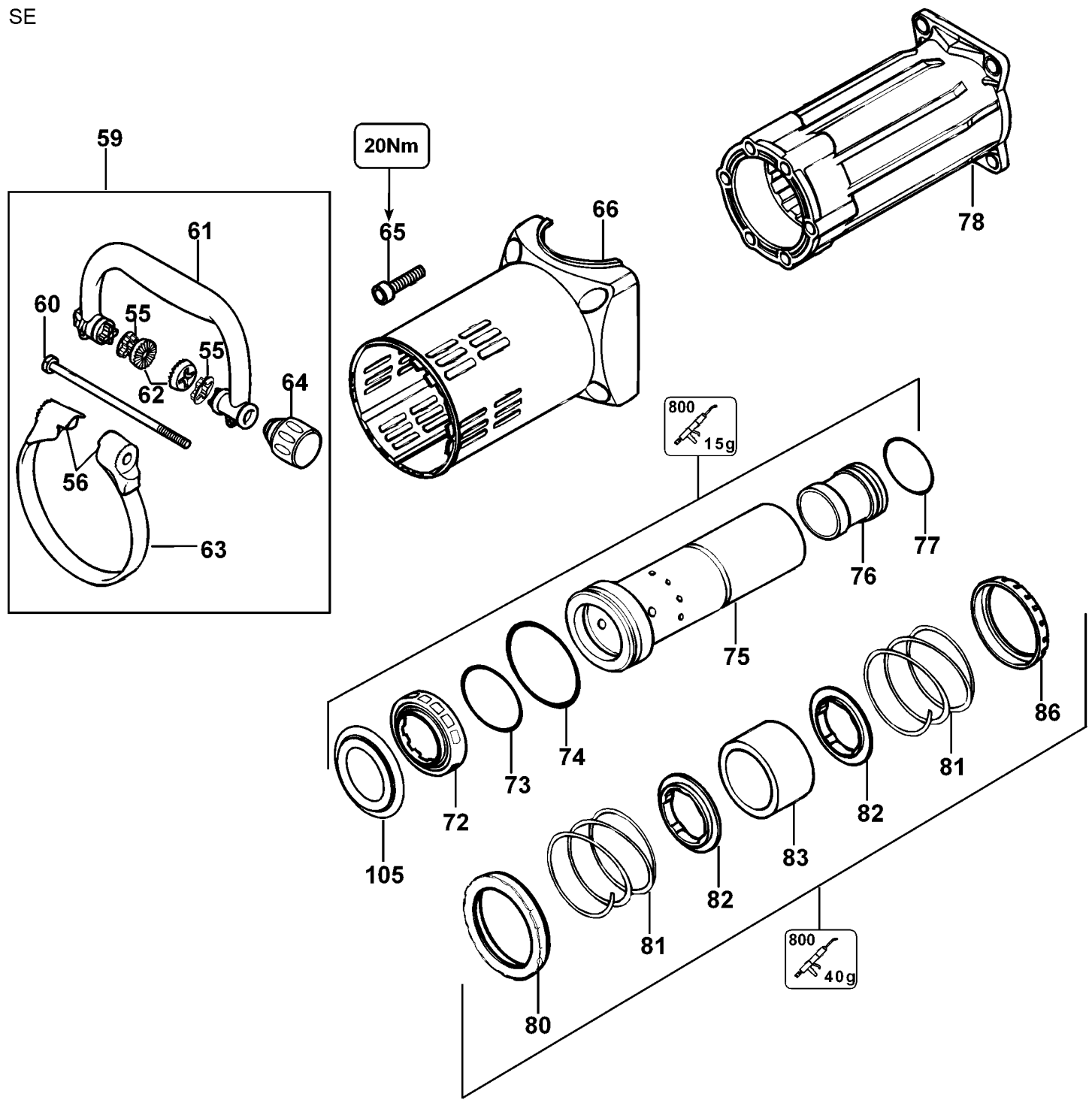
SE



SE



SE



Parts List for D25901K Type 2

Item Number	Part Number	Description	Qty Required
1	579837-03	ARMATURE	1
2	579827-05	FIELD ASSY.	1
3	1007719-01	BRUSH HOLDER ASSY	1
4	590191-00	SLEEVE,INSULATE	1
5	577745-00	BALL BEARING	1
7	1007800-00	SEAL	1
8	1005550-03	BRUSH PAIR KIT	1
9	487377-00	BRUSH SPRING	2
10	1006393-00	FAN	1
11	324119-02	SCREW	1
12	1005637-00	COMPRESSION SPRING	2
13	1005640-00	HANDLE	1
14	1005643-00	BELLOWS	2
15	1005672-00	SCREW	2
16	1005646-00	TUBE,GUIDE	2
17	1005644-00	STOP	2
18	487326-03	LEAD ASSY.	1
19	1005639-01	PLATE	1
20	1005496-01	GUIDE BUSHING	2
21	N572223	CARRIER	1
22	N062128	SWITCH	1
23	1005645-00	ROD	1
24	1005641-00	HANDLE COVER	1
25	821070	CORD CLAMP	1
26	330065-08	SCREW	9
27	1005942-00	SLEEVE BEARING	2
28	323091-01	PROTECTOR,CORD	1

Parts List for D25901K Type 2

Item Number	Part Number	Description	Qty Required
29	1005911-01	CORD SET	1
30	1005642-00	GEAR CASE COVER	1
31	N345479	BRIDGE	1
32	487224-00	SEAL	1
33	330065-08	SCREW	2
34	324821-04	CIRCLIP	1
35	N110363	BEARING	1
36	487209-01	SEAL	1
37	324821-03	CIRCLIP	1
38	487234-00	CONNECTING ROD	1
39	578452-00	SPACER	1
40	578451-00	SPACER	1
41	605040-26	BALL BEARING	2
42	579782-00	GEAR	1
43	579783-00	GEAR	1
44	579772-00	GEARCASE ASSY	1
45	579839-00	CRANKSHAFT	1
46	576451-00	RING	1
47	487208-00	PIN	1
48	581656-00	KNOB	2
49	487213-00	O RING	1
50	579774-00	PISTON	1
51	579779-01	PISTON ASSY.	1
52	323711-47	O RING	1
53	N147097	COVER ASSY.	1
54	N325419	ELECTRONIC	1
55	479319-00	CLAMPING INSERT	1

Parts List for D25901K Type 2

Item Number	Part Number	Description	Qty Required
56	487284-00	CLAMP WASHER	2
57	1005666-00	MOTOR COVER	1
58	324007-11	SCREW	23
59	1007718-00	SIDE HANDLE	1
60	487343-00	BOLT	1
61	487277-00	HANDLE	1
62	479317-01	LOCK WASHER	2
63	487281-00	CLAMP	1
64	487291-00	KNOB ASSY	1
65	949886-32	SCREW	4
66	487282-00	HOUSING COVER	1
67	579832-00	BEAT PIECE	1
68	487270-00	BUSH	1
69	496678-00	DAMPER	1
70	579786-00	BUSH	1
71	487298-00	O RING	1
72	496847-00	BUSH	1
73	487297-00	O RING	1
74	323711-41	O RING	2
75	N075954	CYLINDER	1
76	579780-00	RAM	1
77	487296-00	O RING	1
78	579769-00	FRONT HSG	1
79	323711-55	O-RING	1
80	487293-00	SPRING GUIDE	1
81	487247-00	SPRING	2
82	576488-00	SPRING GUIDE	2

Parts List for D25901K Type 2

Item Number	Part Number	Description	Qty Required
83	579781-00	COUNTERWEIGHT	1
84	N577800	COVER	1
86	576489-00	SPRING GUIDE	1
87	487238-01	SEAL	1
88	487205-00	RING	1
89	487241-00	WASHER	1
90	487244-00	RUBBER	1
91	487236-00	SLEEVE	1
92	579784-00	LOCKING RING	1
93	487218-00	SPRING	1
94	487249-00	BUSH	1
95	489672-00	KEY	2
96	487240-00	BUSHING	1
97	487216-00	SPRING	1
98	487268-00	SPRING GUIDE	1
99	487289-00	SPRING	1
100	487267-00	SLEEVE	1
101	487237-00	SLEEVE	1
102	918825-02	SCREW	6
103	579778-00	FLANGE	1
104	323711-15	RING,O	1
105	496677-00	DAMPER	1
107	579773-00	SPINDLE ASM	1
108	N014007	SEAL	1
109	487287-00	O RING	1
110	1007543-00	BEARING BUSHING	1
112	487392-00	LABEL	1

Parts List for D25901K Type 2

Item Number	Part Number	Description	Qty Required
120	330003-68	BALL BEARING	1
130	330003-69	BALL BEARING	1
800	578970-06	GREASE	1
802	870889-02	GREASE	1
821	N377920	NAME PLATE	1
826	487395-01	LABEL	1
836	559617-99	GEAR REMVL/ASSY TOOL	1
837	559618-99	SERVICE TOOL	1
838	559621-99	SERVICE TOOL	1
840	559619-99	SERVICE TOOL	1
845	559620-99	SERVICE TOOL	1
856	351087-01	BIT	1
861	487353-04	KIT BOX	1
876	1008773-00	SERVICE KIT	1