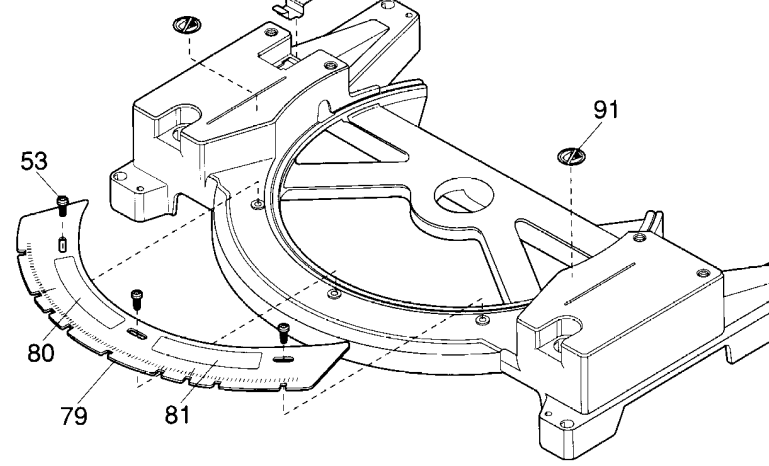
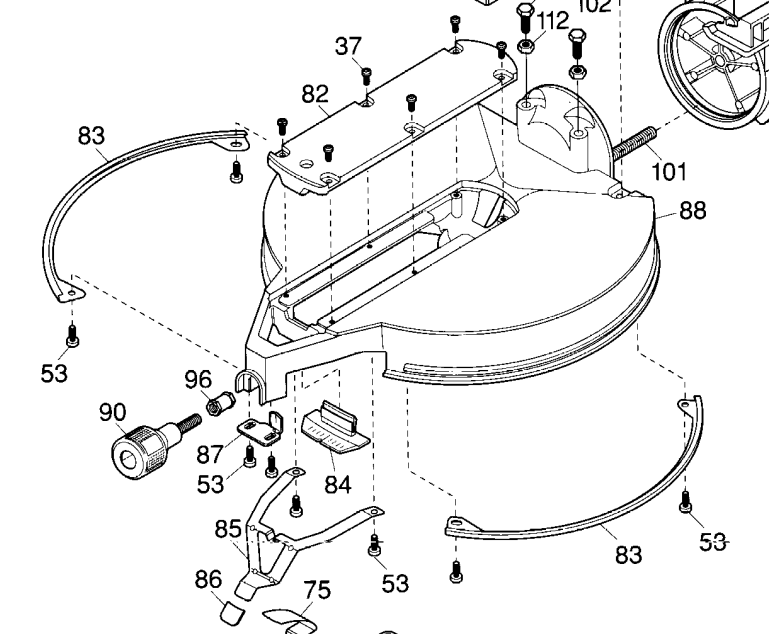
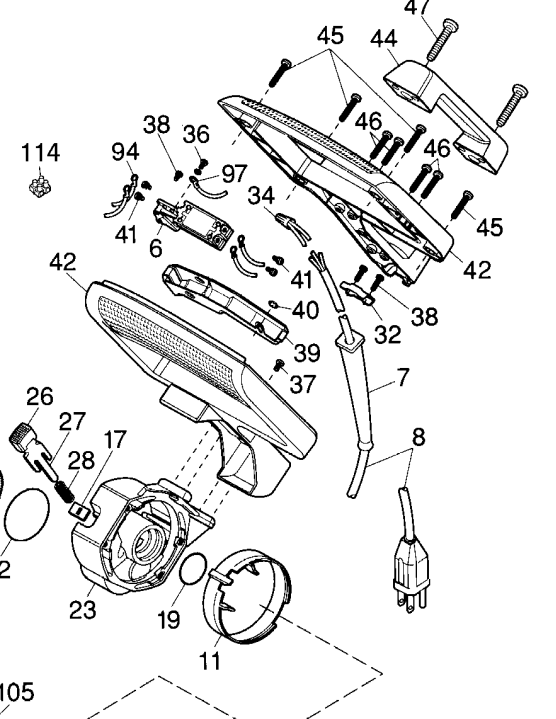
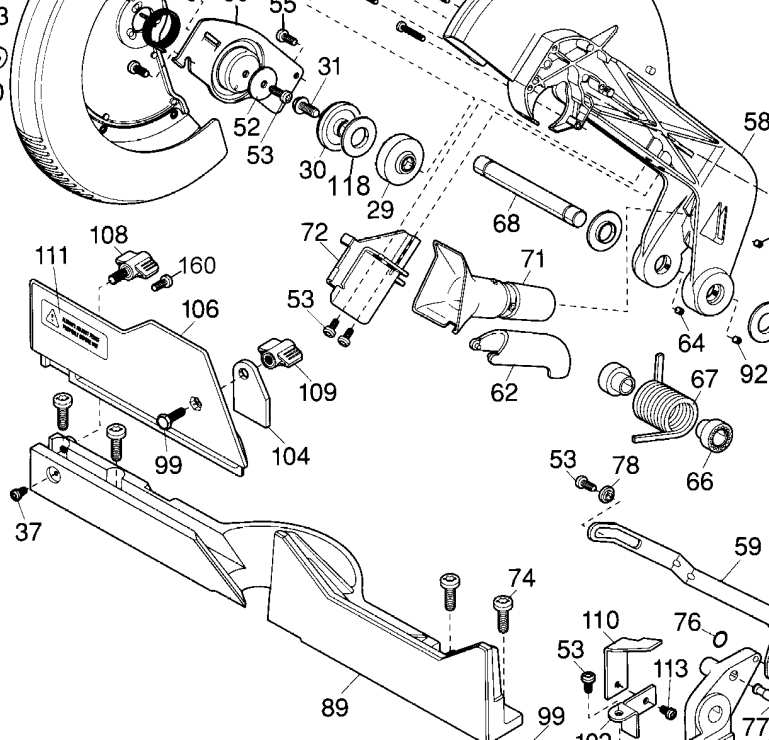


103
100



853
854
855
856
857
858
859

800
801

Parts List for DW705-44 Type 2

Item Number	Part Number	Description	Qty Required
1	397100-01SV	ARMATURE & FAN	1
2	N078041SV	FIELD	1
3	145323-06	BRUSH	2
4	448084-01	CAP,BRUSH	2
5	147097-09	BRUSH HOLDER	2
6	151606-00	SWITCH,ON/OFF	1
7	445338-00	PROTECTOR,CORD	1
8	000000-00	No Longer Available	1
9	330003-09	BEARING,BALL	1
10	330003-13	BEARING,BALL	1
11	146723-01	BAFFLE,FAN	1
12	389786-05	FIELD CASE	1
13	382251-00	CAP,END	1
14	87205-00	PLUG	2
15	330019-20	SCREW	2
16	98094-55	SCREW,M5 X 55MM	4
17	146710-00	WIPER,FELT	1
18	137382-01	SLEEVE,RUBBER	1
19	701297-00	O RING	1
20	144803-00	RING,RET.	1
21	330019-19	SCREW	2
22	149369-00	RING,'0'	1
23	000000-00	No Longer Available	1
24	146736-01	GEAR/SPNDL/CVR	1
25	330045-14	SCREW,M5 X 16MM	2
26	145350-00	BUTTON,LOCK	1
27	146714-00	LOCK,SPINDLE	1

Parts List for DW705-44 Type 2

Item Number	Part Number	Description	Qty Required
28	058698-00	SPRING	1
29	141987-04	WASHER,INR CLMP	1
30	151962-01	CLAMP,OUTER	1
31	145344-01	BOLT	1
32	3618-00	CLAMP	1
36	330045-05	LOCK SCREW	1
37	330045-05	LOCK SCREW	8
38	330019-03	SCREW	3
39	146741-00	HANDLE,SWITCH	1
40	701901-00	RING	1
41	384127-01	SCREW	4
42	380452-00	CLAMSHELL SET	1
44	000000-00	No Longer Available	1
45	330019-14	SCREW	4
46	330045-08	SCREW	4
47	330019-22	SCREW	2
48	146750-03	PLATE,RETAINER	1
49	N034013	TORSION SPRING	1
50	148295-00	SLEEVE,PIVOT	1
51	330045-18	SCREW	4
52	148612-00	WASHER	1
53	151891-00	SCREW	16
54	148608-00	INSERT	2
55	394589-01	SCREW	2
55	394589-01	SCREW	2
56	146720-00	GUARD	1
57	146768-00	BUMPER	1

Parts List for DW705-44 Type 2

Item Number	Part Number	Description	Qty Required
58	000000-00	No Longer Available	1
59	146752-02	GUARD LINK	1
60	429986-00	PIVOT PLATE	1
61	149365-01	LABEL,IDENT	1
62	148520-00	DEFLECTOR	1
63	149521-01	LABEL,IDENT	1
64	150075-00	SCREW,SET	1
65	148296-00	WASHER,SPRING	2
66	146732-00	SPACER	2
67	N039404	TORSION SPRING	1
68	146751-00	SHAFT,PIVOT	1
69	146753-00	BUSHING	1
70	330045-32	SCREW	1
71	146717-00	DUCT,DUST	1
72	146772-03	GUARD,REAR	1
73	152772-01	BASE	1
74	330045-33	SCREW	5
75	146758-00	SPRING,CURVED	1
76	034158-00	O RING	1
77	387130-00	LOCKING PIN	1
78	146740-01	SLEEVE,FLANGED	1
79	000000-00	No Longer Available	1
80	000000-00	No Longer Available	1
81	000000-00	No Longer Available	1
82	146726-02	PLATE,KERF	1
83	146773-01	PLATE, WEAR	2
84	398693-00	POINTER,MITER	1

Parts List for DW705-44 Type 2

Item Number	Part Number	Description	Qty Required
84	146756-00	POINTER,MITRE	1
85	146745-01	DETENT	1
86	148611-00	COVER,TIP	1
87	148297-00	PLATE,CLAMP	1
88	429987-00	TABLE KIT	1
89	5140030-20	FENCE KIT	1
90	145439-09	KNOB	1
91	394976-00	LABEL, CAUTION	2
92	399741-00	SCREW,SET	2
93	000000-00	No Longer Available	1
94	053650-00	TERMINAL	4
95	145332-00	TERMINAL	4
96	146733-00	CLAMP,BUSHING	1
98	330016-04	WASHER	1
99	149368-00	BOLT	3
100	146774-00	ROLLER,GUARD	1
101	146760-01	STUD	1
102	148292-00	BRACKET,BEVEL	1
103	142273-00	RING,RETAINING	1
104	146737-00	PLATE,CLAMP	1
105	392422-00	ADJ HANDLE	1
106	605259-02	FENCE LEFT	1
106	146739-00	FENCE,LEFT	1
107	146731-01	TRUNNION	1
108	147107-02	KNOB	1
109	147107-01	KNOB,UPR BEVEL	1
110	148299-00	POINTER,BEVEL	1

Parts List for DW705-44 Type 2

Item Number	Part Number	Description	Qty Required
111	630416-00	WARNING LABEL	1
112	99368-04	NUT	2
113	151895-00	SCREW	1
114	320078-00	BLOCK, TERMINAL	1
118	152636-00	ADAPTOR, BLADE	1
140	145378-01	WRENCH	1
141	489128-00	HEX HD SCREW	1
160	330045-06	SCREW	1
800	761995-01	GREASE, 6 OZ.	1
801	93488-00	GREASE	1
853	147734-06	BAG, DUST	1
854	DW3123	32T SAW BLADE	1
855	DW7053	DUST BAG	1
856	148681-00	CROWN STOP	1
857	5140050-83	LENGTH STOP	1
858	000000-00	No Longer Available	1
859	000000-00	No Longer Available	1