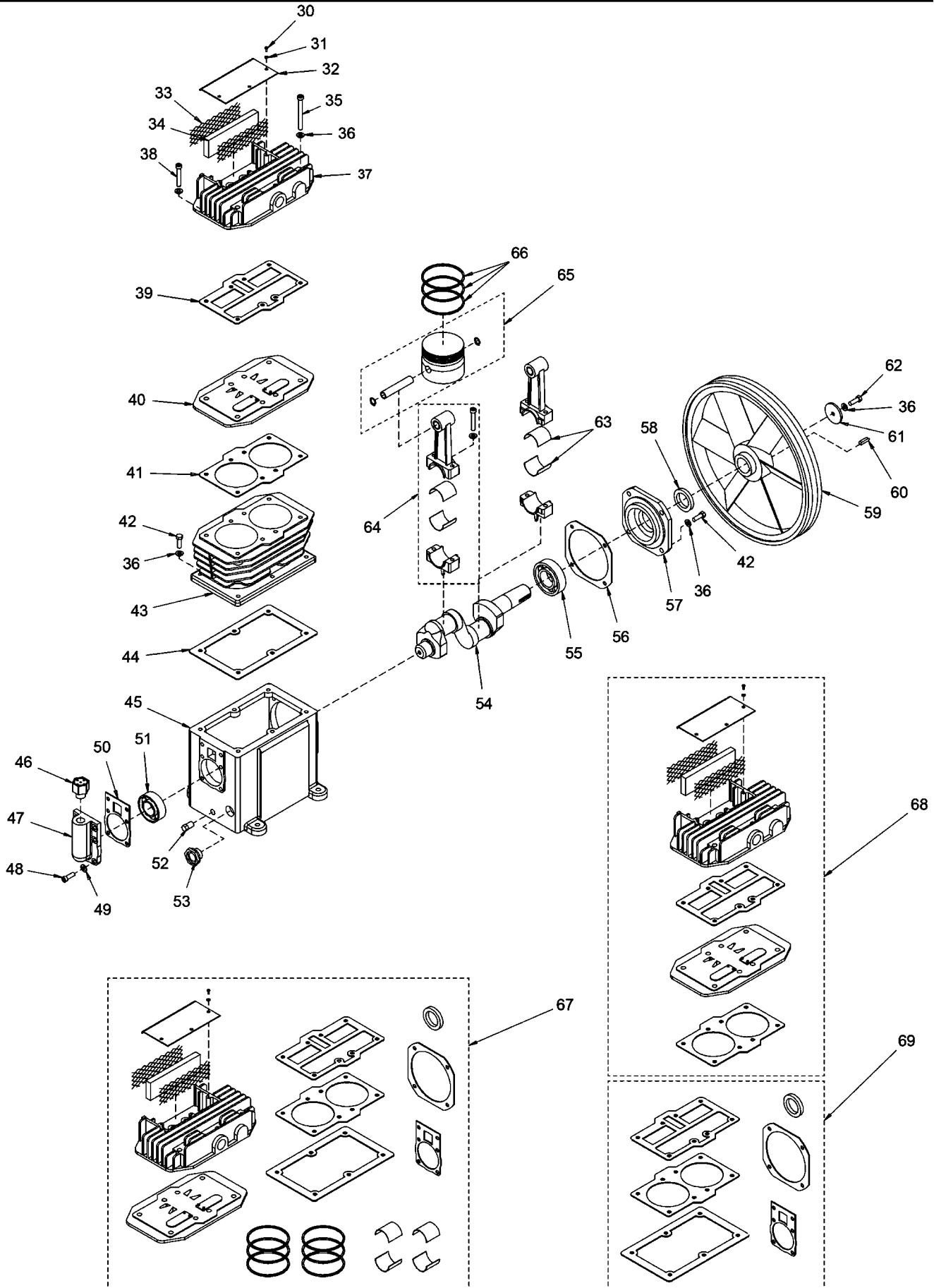
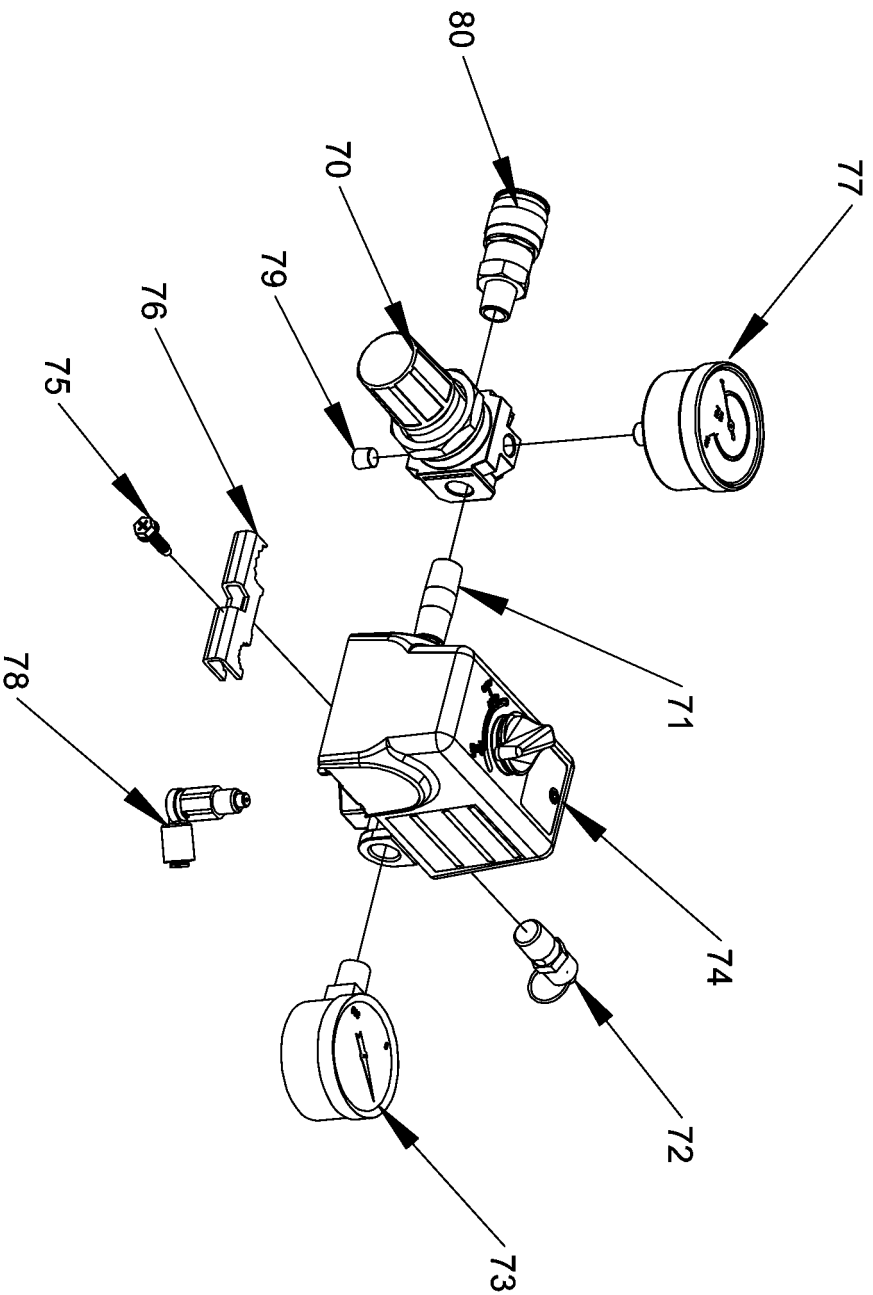


Parts drawing for pump 040-0352 (753H)



Parts drawing for manifold assembly 141-0331



Parts List for DXCMLA1983054 Type 1

Item Number	Part Number	Description	Qty Required
1	5140118-97	BELT GUARD	1
2	5140118-98	SCREW	5
4	5140118-99	BELT GUARD	1
6	5140119-00	KEY	1
7	5140119-01	V-BELT	1
8	5140119-02	PULLEY	1
9	5140119-03	CORD	1
11	5140119-05	HANDLE GRIP	1
11	5140119-06	PAD VIBRATION	2
11	5140119-07	BUSHING	1
11	5140119-08	O-RING	2
11	5140119-09	PET COCK	1
11	5140119-10	WHEEL	2
11	5140119-11	HUB CAP	2
11	5140119-12	PIPE PLUG	1
12	5140119-13	WARNING LABEL	1
13	5140119-14	WARNING LABEL	1
15	5140119-15	PUMP ASSEMBLY	1
16	5140119-16	ADAPTER	1
17	5140119-17	NUT	2
18	5140119-18	TUBE	1
19	5140119-19	TUBE	1
20	5140119-20	ELBOW	1
21	5140119-21	CHECK VALVE	1
23	5140119-22	POWER CORD	1
25	5140119-23	MOTOR	1
32	5140119-24	COVER	1

Parts List for DXCMLA1983054 Type 1

Item Number	Part Number	Description	Qty Required
33	5140119-25	SCREEN	2
34	5140119-26	FILTER	1
37	5140119-27	HEAD ASSEMBLY	1
39	5140119-28	HEAD GASKET	1
40	5140119-29	VALVE PLATE ASSEMBLY	1
41	5140119-30	GASKET	1
43	5140119-31	CYLINDER	1
44	5140119-32	GASKET	1
45	5140119-33	CRANK CASE	1
46	5140119-34	BREATHER	1
47	5140150-56	CAP ASSEMBLY	1
50	5140119-36	GASKET	1
51	5140119-37	BEARING	1
53	5140119-38	OIL SIGHT GLASS	1
54	5140119-39	CRANKSHAFT	1
55	5140119-40	BEARING	1
56	5140119-41	GASKET	1
57	5140119-42	CARRIER	1
58	5140119-43	OIL SEAL	1
59	5140119-44	FLYWHEEL	1
60	5140119-45	KEY	1
63	000000-00	No Longer Available	2
64	5140119-47	ROD	2
65	5140119-48	PISTON ASSY.	2
66	5140119-49	RING SET	1
67	5140119-50	OVERHAUL KIT	1
68	5140119-51	HEAD/VALVE PLATE ASY	1

Parts List for DXCMLA1983054 Type 1

Item Number	Part Number	Description	Qty Required
69	5140119-52	GASKET SET	1
70	5140119-53	REGULATOR	1
72	5140119-54	VALVE	1
73	5140119-55	GAUGE	1
74	5140119-56	PRESSURE SWITCH	1
75	5140119-57	SCREW	1
76	5140119-58	STRAIN RELIEF	1
77	5140119-59	GAUGE	1
78	5140119-60	VALVE, BLEEDER	1
80	5140119-61	QUICK CONNECT	1