

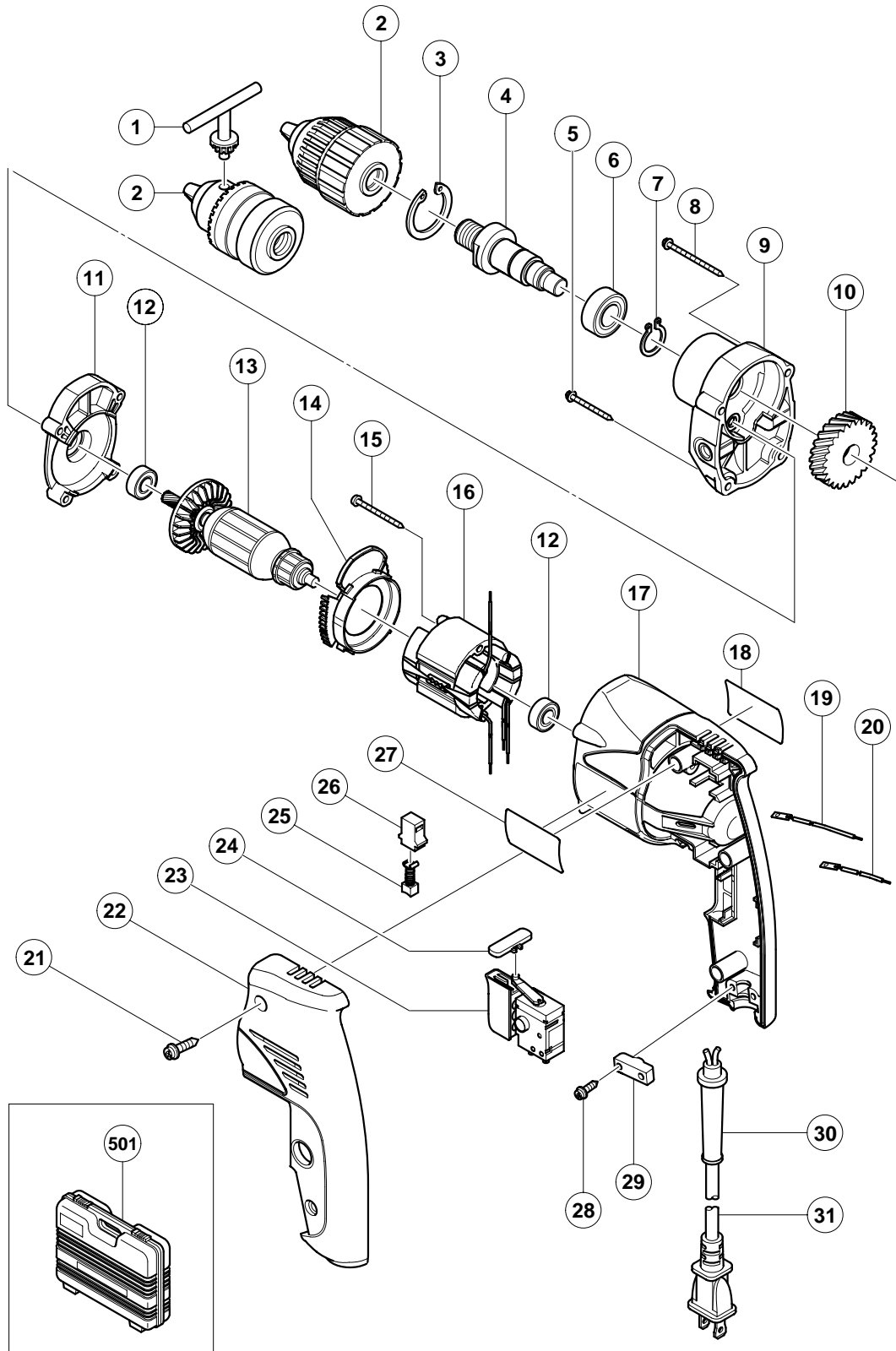
ELECTRIC TOOL PARTS LIST

■ DRILL

2002 • 12 • 10

Model D 10VH

(E1)



PARTS

D 10VH

ITEM NO.	CODE NO.	DESCRIPTION	NO. USED	REMARKS
1	980-057	CHUCK WRENCH 10TL2	1	
* 2	950-292	DRILL CHUCK 10TLRA	1	INCLUD. 1
* 2	321-611	DRILL CHUCK 10TLRH-N (W/O CHUCK WRENCH)	1	
3	948-001	RETAINING RING FOR D32 HOLE	1	
4	321-626	SPINDLE	1	
5	305-490	TAPPING SCREW (W/FLANGE) D4X30 (BLACK)	2	
6	600-2VV	BALL BEARING 6002VVCMP2L	1	
7	939-544	RETAINING RING FOR D15 SHAFT (10 PCS.)	1	
8	301-815	TAPPING SCREW (W/FLANGE) D4X45	2	
9	321-625	GEAR COVER	1	
10	321-627	GEAR	1	
11	321-624	INNER COVER	1	
12	608-VVM	BALL BEARING 608VVC2PS2L	2	
13	360-597U	ARMATURE ASS'Y 120V	1	INCLUD. 12
14	321-623	FAN GUIDE	1	
15	991-031	TAPPING SCREW D4X45	2	
16	340-548D	STATOR 120V	1	
17	321-622	HOUSING	1	
18		NAME PLATE	1	
19	321-630	INTERNAL WIRE (BROWN) 100L	1	
20	321-631	INTERNAL WIRE (BLUE) 55L	1	
21	301-653	TAPPING SCREW (W/FLANGE) D4X20 (BLACK)	3	
22	321-629	HANDLE COVER	1	
23	321-632	SWITCH (1P PILLAR TYPE)	1	
24	321-628	PUSHING BUTTON	1	
25	999-041	CARBON BRUSH (1 PAIR)	2	
26	955-203	BRUSH HOLDER	2	
27		HITACHI LABEL	1	
28	984-750	TAPPING SCREW (W/FLANGE) D4X16	2	
29	937-631	CORD CLIP	1	
30	953-327	CORD ARMOR D8.8	1	
31	500-240Z	CORD	1	

STANDARD ACCESSORIES

ITEM NO.	CODE NO.	DESCRIPTION	NO. USED	REMARKS
501	321-635	CASE	1	

OPTIONAL ACCESSORIES

ITEM NO.	CODE NO.	DESCRIPTION	NO. USED	REMARKS
601	982-593	HOOK	1	
602	321-612	HOOK (A)	1	
603	981-205	SIDE HANDLE FOR M10	1	

