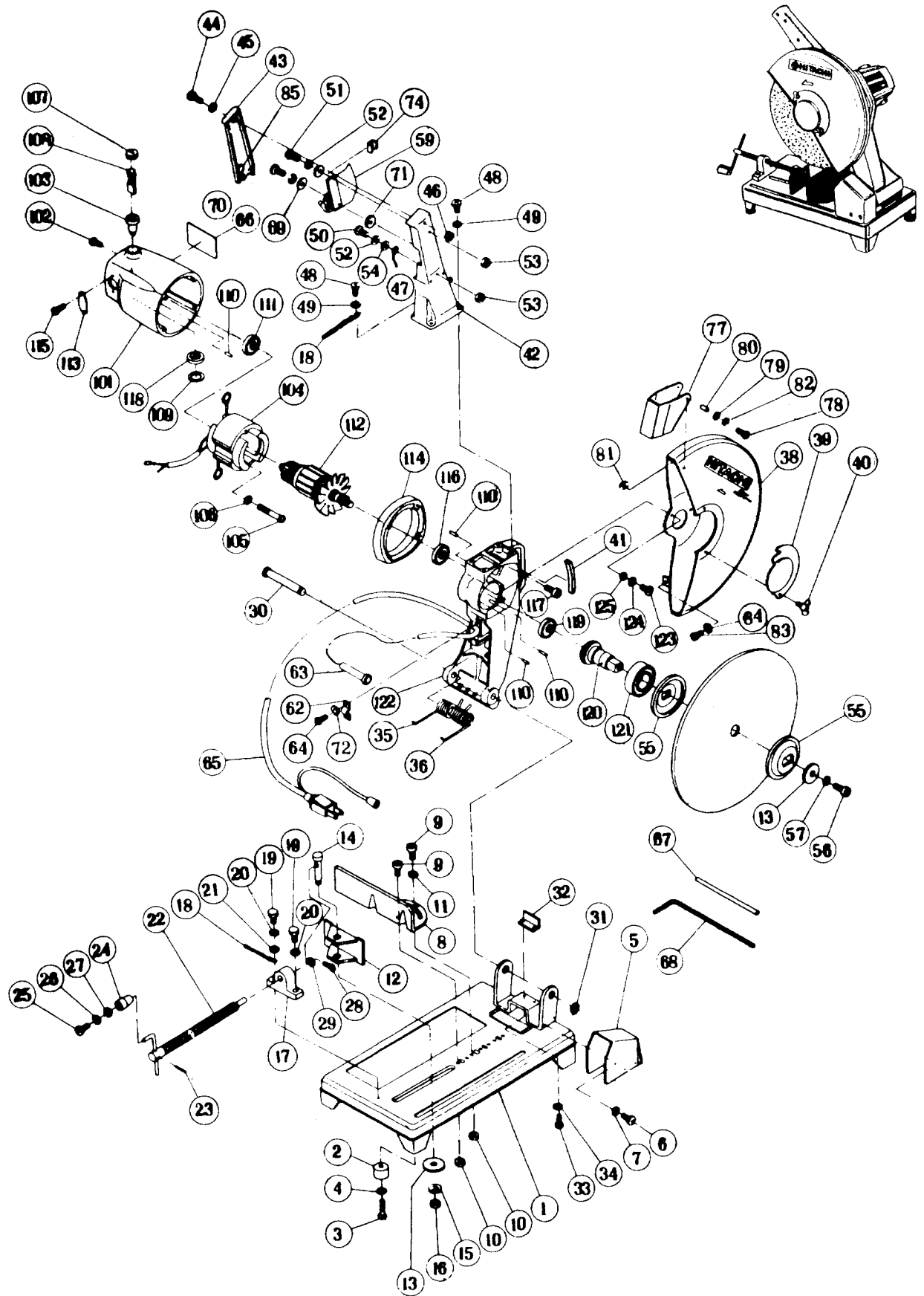




**HITACHI**

**12" CUT-OFF MACHINE**

**Model HU-12**





# HITACHI

## 12" CUT-OFF MACHINE

## Model HU-12

ITEM NO.	PART NO.	NO. USED	DESCRIPTION	SUPPLY Q'TY	ITEM NO.	PART NO.	NO. USED	DESCRIPTION	SUPPLY Q'TY
1 A	964850	1	Base till 5 / 81		53	949554	3	Nut M4	10
1 B	965143	1	Base since 9 / 81		54	934135	1	Bolt Washer M4	10
2	964851	3	Base Rubber		55	955835	2	Wheel Washer	
3	949258	3	Machine Screw M6×20	10	56	949846	1	Hexagon Socket Head Bolt M10×30	10
4	949425	3	Washer M6	10	57	949458	1	Spring Washer M10	10
5	955841	1	Spark Chute		59	951881Z	1	Double Pole Switch	
6	949214	2	Machine Screw M4×6	10	62	934028	1	Cord Clip	
7	949453	2	Spring Washer M4	10	63	940778	1	Cord Armor	
8	964852	1	Vise (B)		64	949216	2	Machine Screw M4×10	10
9	949844	2	Hexagon Socket Bolt M10×20	10	65	500400Z	1	Cord	
10	949560	2	Nut M10	10	66	—	1	Name Plate	
11	949434	1	Bolt Washer M10	10	67	952201	1	Spanner D6	
12	964853	1	Vise (A)		68	955857	1	Hexagon Bar Wrench 8	
13	965724	2	Washer (A)		69	949423	2	Washer M4	10
14	951850	1	Bolt		70	949217	1	Machine Screw M4×12	10
15	949458	1	Spring Washer M10	10	74	955835H	1	Set Piece	
16	949560	1	Nut M10	10	77	965144	1	Safety Cover since 9 / 81	
17	955847	1	Internal Thread		78	949256	2	Machine Screw M6×16	10
18	968520	1	Chain		79	967329	3	Washer (H)	
19	949626	2	Bolt M8×25	10	80	955718	2	Collar (F)	
20	949457	2	Spring Washer M8	10	81	949556	2	Nut M6	10
21	949426	1	Washer M8	10	82	945455	2	Spring Washer M6	10
22	951202	1	Screw Assembly (includes Item 24A, 86) (old 964855)		83	949237	1	Machine Screw M5×12	10
23	949496	1	Roll Pin 3×16 till 2 / 88	10	84	949431	1	Bolt Washer M6	10
24	964860	1	Collar till 2 / 88		85	964946Z	1	Rubber Bush	
24 A	971563	1	Collar since 3 / 88		86	955479	1	Retaining Ring D6 since 3 / 88	
25	949216	1	Machine Screw M4×10	10	87	974484	1	Washer	
26	949453	1	Spring Washer M4	10	88	949455	1	Spring Lock Washer	
27	962569	1	Washer (B)		89	951215	1	Screw Cover	
28	949537	1	Split Pin 3×15	10	101	964961	1	Housing Assembly (includes Item 102, 103)	
29	949433	2	Bolt Washer M8	10	102	949216	2	Machine Screw M4×10	10
30	964856	1	Shaft		103	948704	2	Brush Holder (old 964956)	
31	939545	1	Retaining Ring M16	10	104	964960G	1	Stator	
32	955869	1	Arm Stopper		105	964951	2	Machine Screw M5×75	
33	949237	2	Machine Screw M5×12	10	106	949454	2	Spring Washer M5	10
34	949454	2	Spring Washer M5	10	107	978455	2	Brush Cap (old 940540)	
35	955850	1	Spring (A)		108	964976Z	2	Carbon Brush	2
36	955866	1	Spring (B)		109	941206	2	Stop Plate	
38	964997	1	Wheel Cover (A) (old 965146)		110	946362	1	Bearing Lock	
39	965145	1	Sub Cover		111	6201VV	1	Ball Bearing 6201VVCMP2S	
40	949254	2	Wing Bolt	10	112	964952C	1	Armature	
41	955868	1	Cushion Rubber		113	955874	1	Cover	
42	964991Z	1	Switch Handle		114	964953	2	Distance Ring	
43	951483	1	Handle Cover since 11 / 81		115	949216	2	Machine Screw M4×10	10
44	949219	3	Machine Screw M4×16	10	116	6003VV	1	Ball Bearing 6003VVCMP2S	
45	949453	3	Spring Washer M4	10	117	964954	4	Hexagon Socket Head Bolt M6×60	
46	949554	3	Nut M4	10	118	955864	2	Rubber Washer	
47	968523	1	Chain Hook		119	6201VV	1	Ball Bearing 6201VVCMP2S	
48	949258	4	Machine Screw M6×20	10	120	964885	1	Spindle	
49	949455	4	Spring Washer M6	10	121	6206VV	1	Ball Bearing 6206VVCMP2S	
50	949216	1	Machine Screw M4×10	10	122	964886	1	Gear Case	
51	949217	1	Machine Screw M4×10	10	123	949256	3	Machine Screw M6×16	10
52	949453	3	Spring Washer M4	10	124	949455	3	Spring Washer M6	10
					125	949432	3	Bolt Washer M6	10