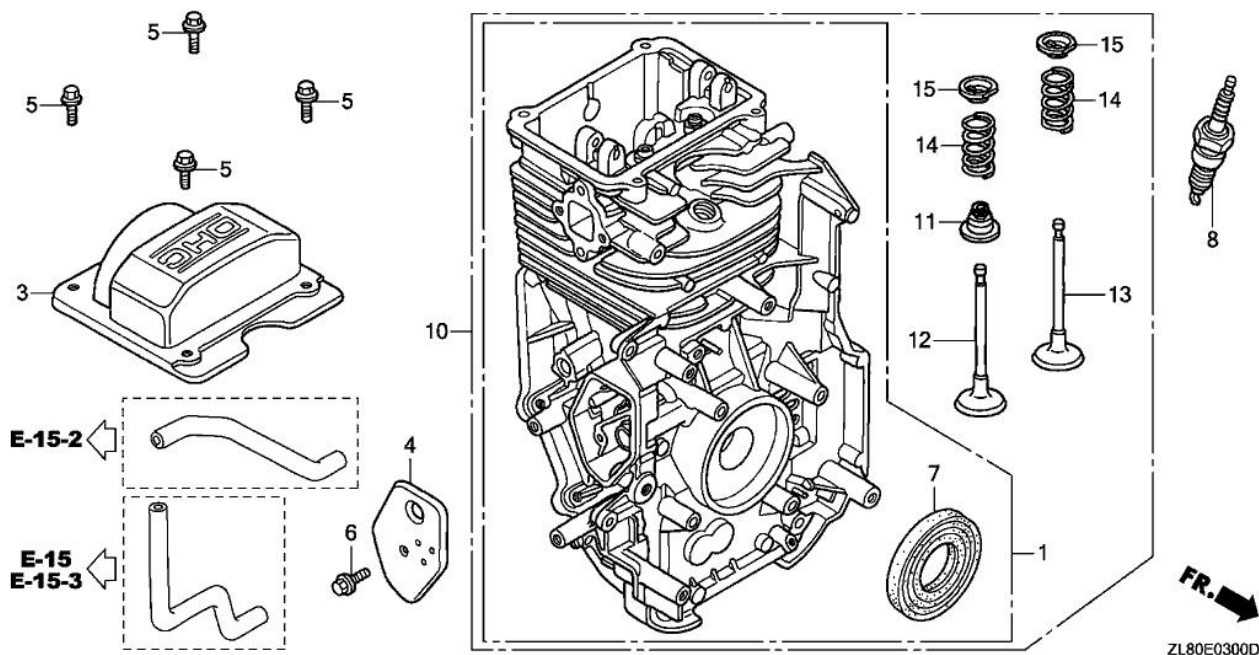


TRU-POWER, INC.

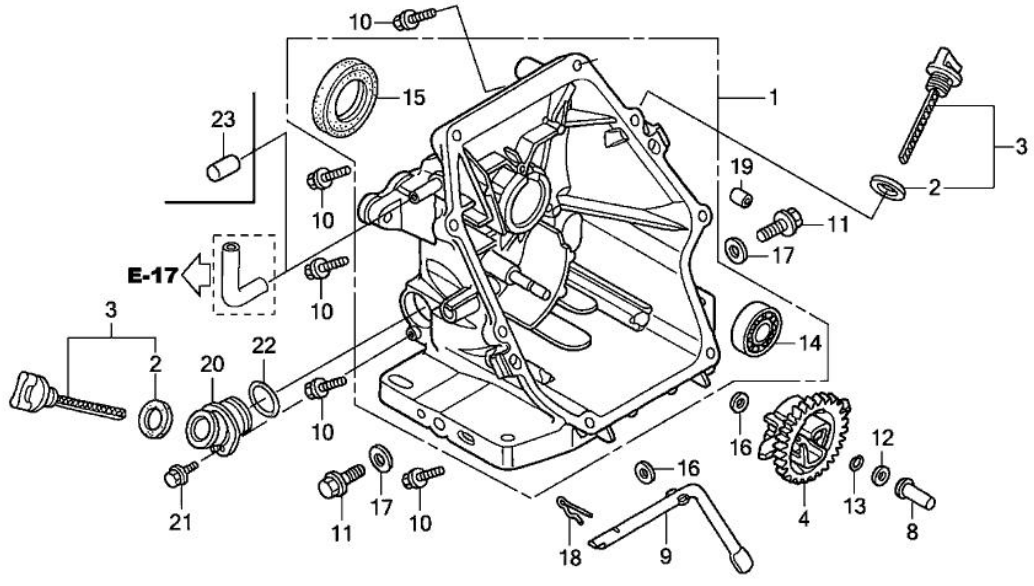
| | | | |
|------------|--------|--------------|------------------------|
| Model Name | GC160 | Product Line | GENERAL PURPOSE ENGINE |
| Mfg | | Type | QHA |
| Section | ENGINE | Illustration | CYLINDER |



| Ref. | Part Number | Part Description | Qty. |
|------|---------------|--|------|
| 001 | 12000-ZL8-000 | CYLINDER ASSY. | 001 |
| 001 | 12000-Z0L-505 | BARREL COMP,CYLN | 001 |
| 003 | 12310-Z0J-000 | COVER, CYLINDER HEAD | 001 |
| 003 | 12311-ZL8-000 | COVER, HEAD | 001 |
| 003 | 12310-Z8A-000 | COVER, CYLINDER HEAD | 001 |
| 004 | 12355-ZL8-000 | COVER, BREATHER (BREATHER VALVE ASSY.) | 001 |
| 005 | 90013-883-000 | BOLT, FLANGE (6X12) (CT200) | 004 |
| 006 | 90014-952-000 | BOLT, FLANGE (6X14) (CT200) | 001 |
| 007 | 91201-ZL8-003 | OIL SEAL (25.4X62X6) | 001 |
| 008 | 98079-56846 | SPARK PLUG (BPR6ES) (NGK) | 001 |
| 010 | 12000-Z0L-505 | BARREL COMP,CYLN | 001 |
| 011 | 12209-ZM0-003 | SEAL, VALVE STEM | 001 |
| 012 | 14711-ZL8-000 | VALVE, IN. (TECHNOSTAR) | 001 |
| 013 | 14721-ZL8-000 | VALVE, EX. (L8E) | 001 |
| 013 | 14721-Z8B-000 | VALVE, EX. (C8E) | 001 |
| 014 | 14751-ZL8-000 | SPRING, VALVE | 002 |
| 015 | 14771-ZE1-000 | RETAINER, IN. VALVE SPRING | 002 |

TRU-POWER, INC.

| | | | |
|------------|--------|--------------|------------------------|
| Model Name | GC160 | Product Line | GENERAL PURPOSE ENGINE |
| Mfg | | Type | QHA |
| Section | ENGINE | Illustration | CRANKCASE COVER |

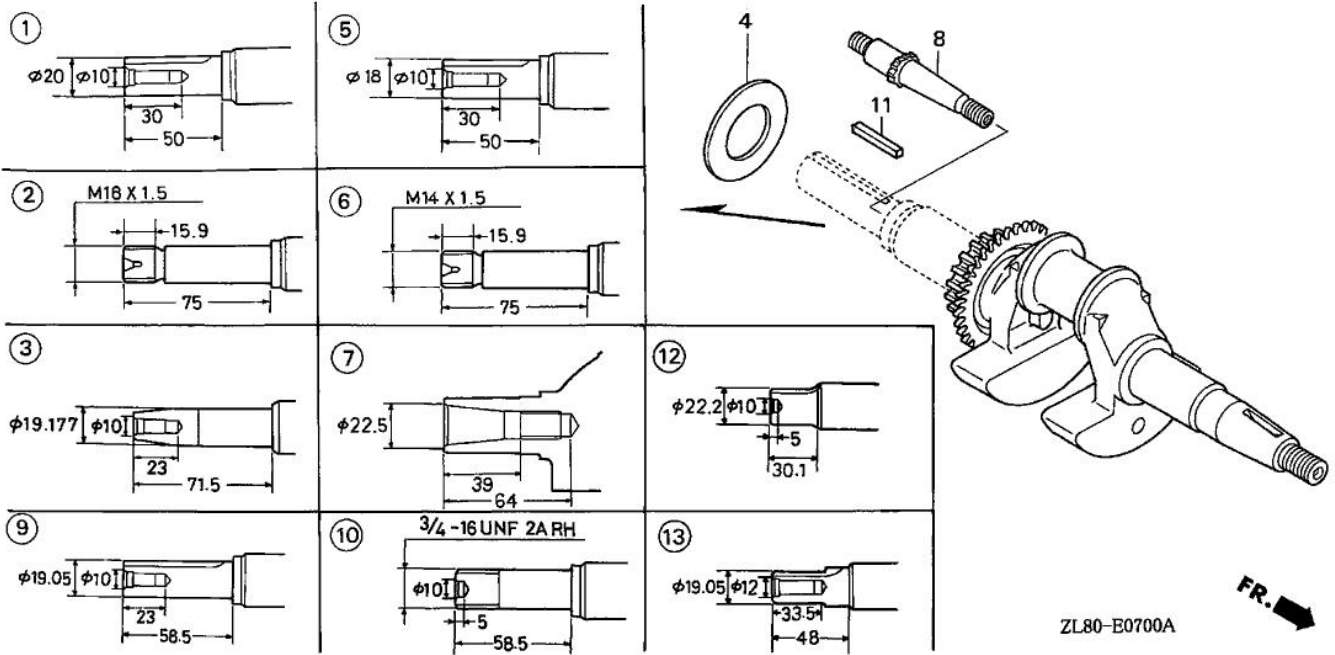


FR. →
ZL80E0600B

| Ref. | Part Number | Part Description | Qty. |
|------|---------------|-----------------------------|------|
| 001 | 11300-ZL8-601 | COVER ASSY., CRANKCASE | 001 |
| 002 | 15625-ZE1-003 | GASKET, OIL FILLER CAP | 001 |
| 003 | 15650-ZL8-003 | GAUGE ASSY., OIL LEVEL | 001 |
| 003 | 15650-ZL8-013 | GAUGE ASSY., OIL LEVEL | 001 |
| 004 | 16510-ZL8-000 | GOVERNOR ASSY. | 001 |
| 008 | 16531-ZE1-000 | SLIDER, GOVERNOR | 001 |
| 009 | 16541-ZL8-000 | SHAFT, GOVERNOR ARM | 001 |
| 010 | 90121-952-000 | BOLT, FLANGE (6X25) (CT200) | 008 |
| 011 | 90131-896-650 | BOLT, DRAIN PLUG (12X15) | 001 |
| 011 | 90131-896-650 | BOLT, DRAIN PLUG (12X15) | 002 |
| 012 | 90451-ZE1-000 | WASHER, THRUST (6MM) | 001 |
| 013 | 90602-ZE1-000 | CLIP, GOVERNOR HOLDER | 001 |
| 015 | 91202-ZL8-003 | OIL SEAL (28X41.25X6) | 001 |
| 016 | 94101-06800 | WASHER, PLAIN (6MM) | 002 |
| 017 | 94109-12000 | WASHER, DRAIN PLUG (12MM) | 001 |
| 017 | 94109-12000 | WASHER, DRAIN PLUG (12MM) | 002 |
| 018 | 94251-08000 | PIN, LOCK (8MM) | 001 |
| 019 | 94301-08200 | PIN, DOWEL (8X20) | 002 |

TRU-POWER, INC.

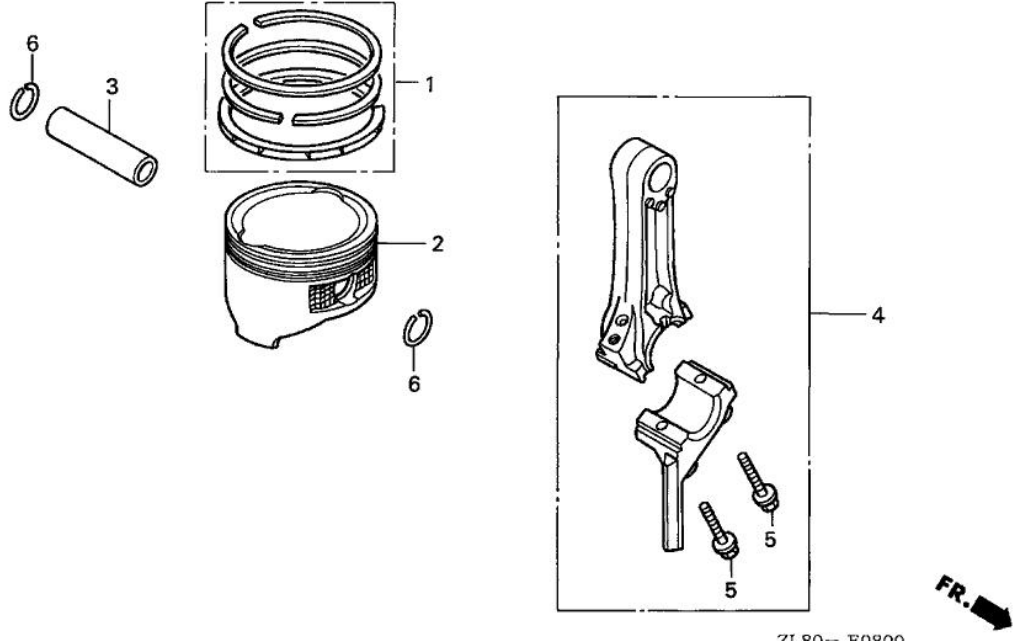
| | | | |
|------------|--------|--------------|------------------------|
| Model Name | GC160 | Product Line | GENERAL PURPOSE ENGINE |
| Mfg | | Type | QHA |
| Section | ENGINE | Illustration | CRANKSHAFT |



| Ref. | Part Number | Part Description | Qty. |
|------|---------------|------------------|------|
| 004 | 90402-ZL8-000 | WASHER, THRUST | 001 |
| 009 | 06131-Z8A-W00 | CRANKSHAFT KIT | 001 |

TRU-POWER, INC.

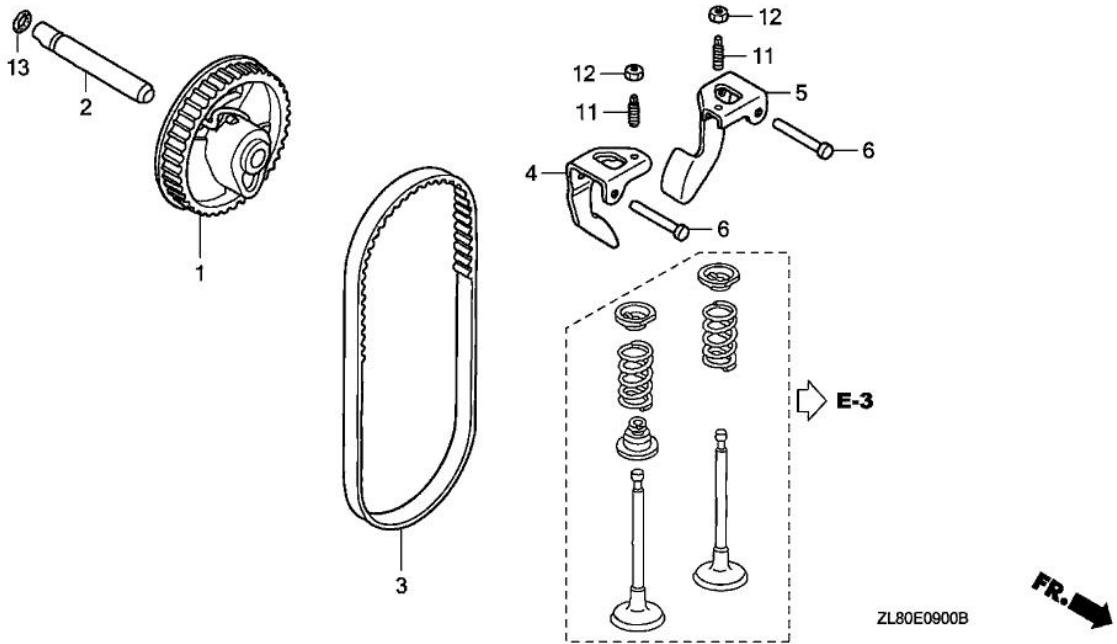
| | | | |
|-------------------|---------------|---------------------|--------------------------------|
| Model Name | GC160 | Product Line | GENERAL PURPOSE ENGINE |
| Mfg | | Type | QHA |
| Section | ENGINE | Illustration | PISTON - CONNECTING ROD |



| Ref. | Part Number | Part Description | Qty. |
|------|---------------|--------------------------|------|
| 001 | 13010-ZL8-003 | RING SET, PISTON (RIKEN) | 001 |
| 002 | 13101-ZL8-000 | PISTON | 001 |
| 003 | 13111-ZE0-000 | PIN, PISTON | 001 |
| 004 | 13200-ZL8-000 | ROD ASSY., CONNECTING | 001 |
| 005 | 90001-ZE1-000 | BOLT, CONNECTING ROD | 002 |
| 006 | 90551-ZE0-000 | CLIP, PISTON PIN (13MM) | 002 |

TRU-POWER, INC.

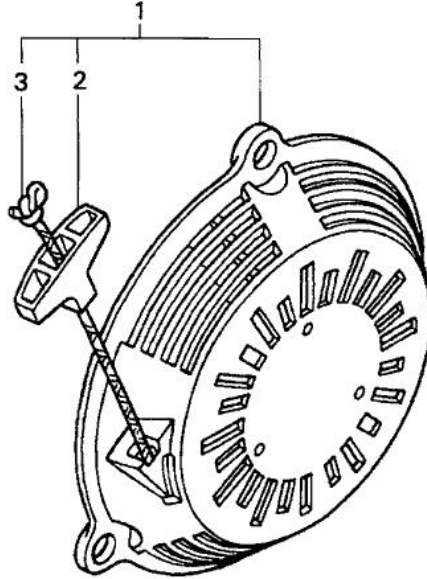
| | | | |
|-------------------|---------------|---------------------|-------------------------------|
| Model Name | GC160 | Product Line | GENERAL PURPOSE ENGINE |
| Mfg | | Type | QHA |
| Section | ENGINE | Illustration | CAMSHAFT PULLEY |



| Ref. | Part Number | Part Description | Qty. |
|------|---------------|----------------------------|------|
| 001 | 14320-ZL8-010 | PULLEY, CAMSHAFT | 001 |
| 002 | 14324-ZL8-000 | SHAFT, CAM PULLEY | 001 |
| 003 | 14400-ZL8-013 | BELT, TIMING (84HU7 G-200) | 001 |
| 004 | 14431-Z0J-000 | ARM, IN. VALVE ROCKER | 001 |
| 005 | 14441-Z0J-000 | ARM, EX. VALVE ROCKER | 001 |
| 006 | 14461-ZL8-000 | SHAFT, ROCKER ARM | 002 |
| 011 | 90012-333-000 | SCREW, TAPPET ADJUSTING | 002 |
| 012 | 90206-001-000 | NUT, TAPPET ADJUSTING | 002 |
| 013 | 91301-ZM0-V31 | O-RING (6.8X1.9) (ARAI) | 001 |

TRU-POWER, INC.

| | | | |
|------------|--------|--------------|------------------------|
| Model Name | GC160 | Product Line | GENERAL PURPOSE ENGINE |
| Mfg | | Type | QHA |
| Section | ENGINE | Illustration | RECOIL STARTER |



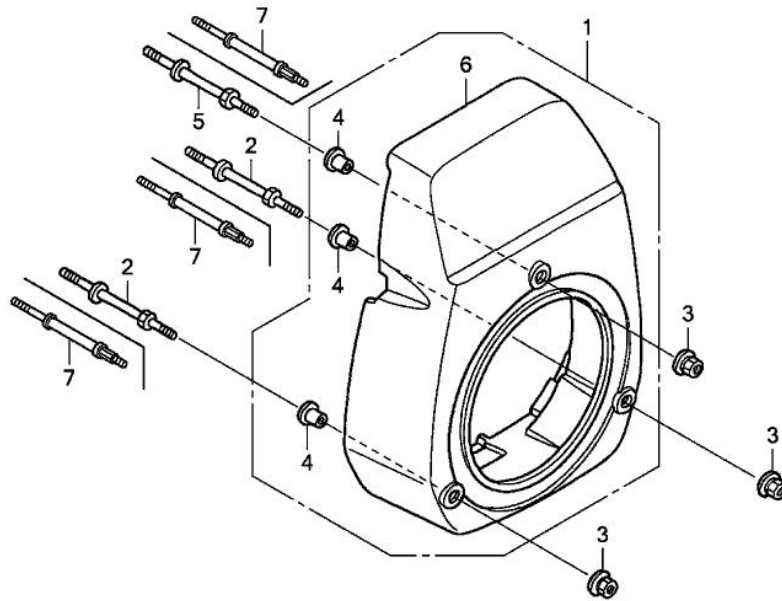
ZL80- E1100



| Ref. | Part Number | Part Description | Qty. |
|------|-----------------|---|------|
| 001 | 28400-ZL8-023ZA | STARTER ASSY., RECOIL *NH1*(BLACK) | 001 |
| 001 | 28400-ZL8-023ZC | STARTER ASSY., RECOIL *R280*(POWER RED) | 001 |
| 002 | 28461-ZL8-003 | GRIP, STARTER | 001 |
| 003 | 28462-ZL8-003 | ROPE, RECOIL STARTER | 001 |

TRU-POWER, INC.

| | | | |
|-------------------|---------------|---------------------|-------------------------------|
| Model Name | GC160 | Product Line | GENERAL PURPOSE ENGINE |
| Mfg | | Type | QHA |
| Section | ENGINE | Illustration | FAN COVER |

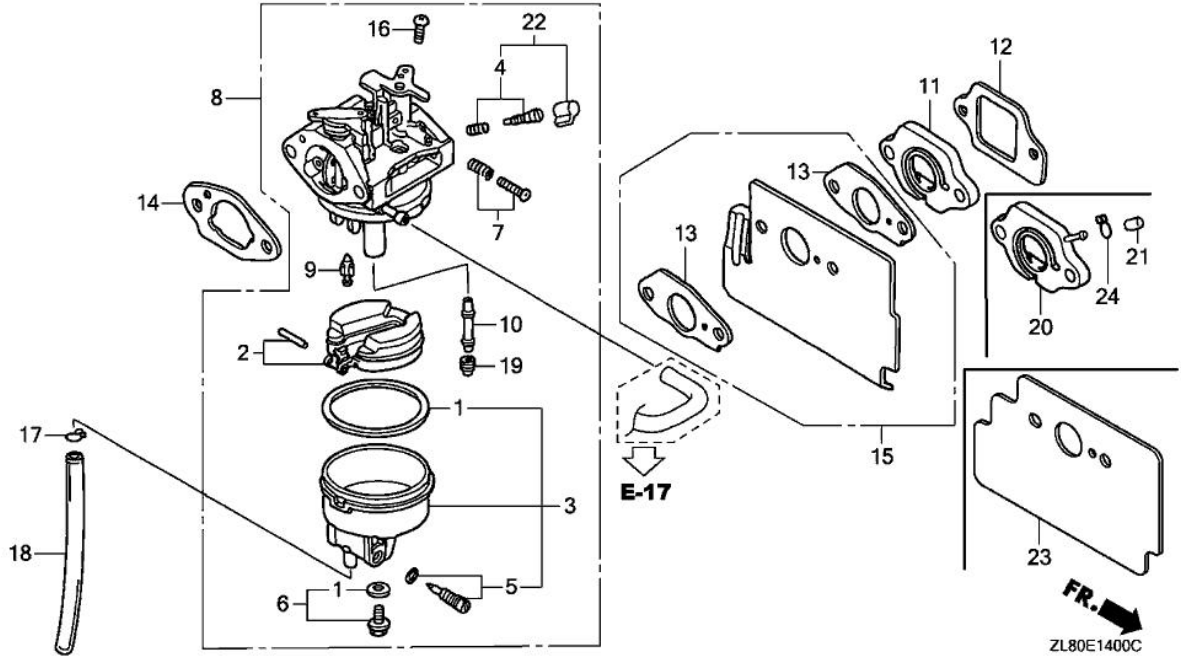


ZL80E1200D

| Ref. | Part Number | Part Description | Qty. |
|------|-----------------|------------------------------|------|
| 001 | 19611-ZL8-000ZA | COVER, FAN *NH1*(BLACK) | 001 |
| 001 | 19611-ZL8-000ZC | COVER, FAN *R280*(POWER RED) | 001 |
| 002 | 90043-ZL8-000 | BOLT, STUD (H=42.5MM) | 002 |
| 003 | 90201-ZM0-000 | NUT, FLANGE (6MM) | 003 |
| 004 | 19619-ZL8-300 | COLLAR, FAN COVER | 003 |
| 005 | 90043-ZL8-000 | BOLT, STUD (H=42.5MM) | 001 |

TRU-POWER, INC.

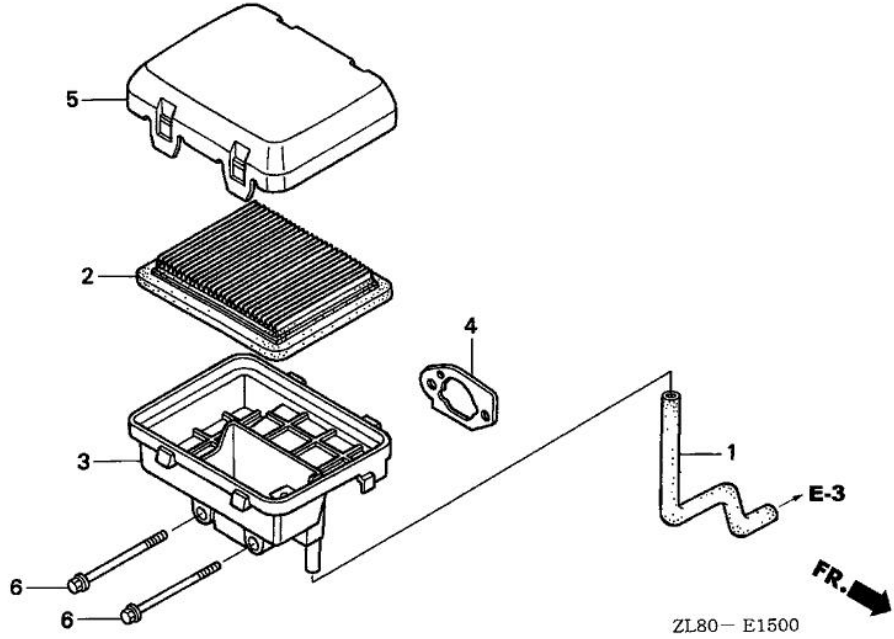
| | | | |
|-------------------|---------------|---------------------|-------------------------------|
| Model Name | GC160 | Product Line | GENERAL PURPOSE ENGINE |
| Mfg | | Type | QHA |
| Section | ENGINE | Illustration | CARBURETOR |



| Ref. | Part Number | Part Description | Qty. |
|------|-----------------|---|------|
| 001 | 16010-883-015 | GASKET SET | 001 |
| 002 | 16013-ZL1-003 | FLOAT SET | 001 |
| 003 | 16015-ZL8-003 | CHAMBER SET, FLOAT | 001 |
| 005 | 16024-124-760 | SCREW SET, DRAIN | 001 |
| 006 | 16028-ZE0-005 | SCREW SET | 001 |
| 006 | 16028-ZK7-S91 | SCREW SET | 001 |
| 007 | 16029-ZG0-901 | SCREW SET (THROTTLE STOP) (CARBURETOR NO.) | 001 |
| 008 | 16100-Z0J-003 | CARBURETOR ASSY. (BB61J A) | 001 |
| 008 | 16100-ZL8-803 | CARBURETOR ASSY. (BB61B D) | 001 |
| 008 | 16100-Z0J-013 | CARBURETOR ASSY. (BB61J B) | 001 |
| 009 | 16155-ZL8-003 | VALVE, FLOAT (CARBURETOR NO.) | 001 |
| 010 | 16166-ZL8-003 | NOZZLE, MAIN (CARBURETOR NO.) | 001 |
| 011 | 16211-ZL8-000 | INSULATOR, CARBURETOR | 001 |
| 012 | 16212-ZL8-000 | GASKET, INSULATOR | 001 |
| 013 | 16221-883-800 | GASKET, CARBURETOR | 002 |
| 014 | 16228-ZL8-000 | GASKET, CARBURETOR | 001 |
| 015 | 19650-ZL8-000 | GUIDE, AIR | 001 |
| 016 | 93500-05006-0H | SCREW, PAN (5X6) | 001 |
| 017 | 95002-02650 | CLIP, TUBE (B6.5) | 001 |
| 018 | 95003-07008-60M | BULK HOSE, VINYL (4X7X8000) OEM CUT SIZE: (4X7X150) | 001 |
| 019 | 99101-124-0600 | JET, MAIN (#60) | (1) |
| 019 | 99101-124-0620 | JET, MAIN (#62) | (1) |
| 019 | 99101-124-0650 | JET, MAIN (#65) | 001 |
| 022 | 16016-ZG0-W00 | SCREW SET (CARBURETOR NO.) | 001 |

TRU-POWER, INC.

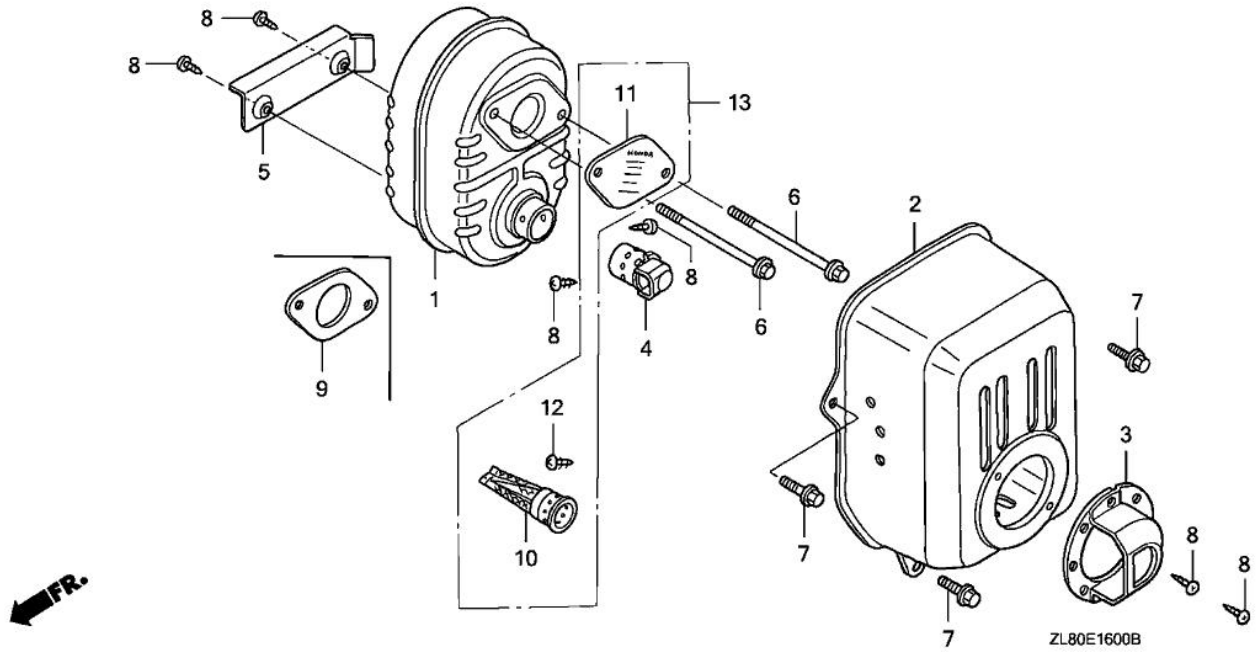
| | | | |
|-------------------|---------------|---------------------|-------------------------------|
| Model Name | GC160 | Product Line | GENERAL PURPOSE ENGINE |
| Mfg | | Type | QHA |
| Section | ENGINE | Illustration | AIR CLEANER (1) |



| Ref. | Part Number | Part Description | Qty. |
|------|---------------|----------------------------------|------|
| 001 | 15721-ZL8-000 | TUBE, BREATHER | 001 |
| 002 | 17211-ZL8-003 | ELEMENT, AIR CLEANER | 001 |
| 002 | 17211-ZL8-023 | ELEMENT, AIR CLEANER (TOYO ROKI) | 001 |
| 003 | 17220-ZL8-000 | HOUSING, AIR CLEANER | 001 |
| 003 | 17220-ZL8-010 | HOUSING, AIR CLEANER | 001 |
| 003 | 17220-ZL8-020 | HOUSING, AIR CLEANER | 001 |
| 004 | 17228-ZL8-000 | GASKET, AIR CLEANER | 001 |
| 005 | 17231-ZL8-020 | COVER, AIR CLEANER | 001 |
| 006 | 90003-ZL8-000 | BOLT, FLANGE (6X112) (CT200) | 002 |

TRU-POWER, INC.

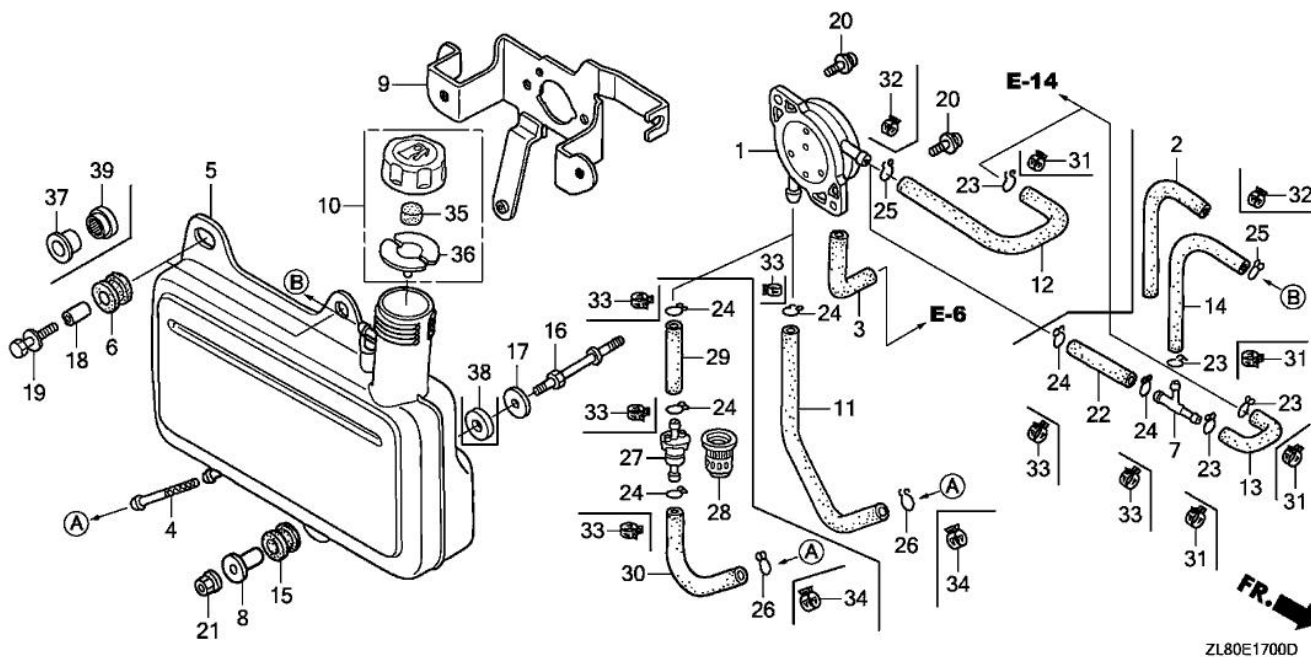
| | | | |
|------------|--------|--------------|------------------------|
| Model Name | GC160 | Product Line | GENERAL PURPOSE ENGINE |
| Mfg | | Type | QHA |
| Section | ENGINE | Illustration | MUFFLER |



| Ref. | Part Number | Part Description | Qty. |
|------|---------------|-----------------------------|------|
| 001 | 18310-ZL8-010 | MUFFLER | 001 |
| 002 | 18321-ZL8-010 | PROTECTOR, MUFFLER | 001 |
| 005 | 19664-ZL8-000 | SHROUD, MUFFLER | 001 |
| 006 | 90004-ZL8-000 | BOLT, FLANGE (6X79) (CT200) | 002 |
| 007 | 90013-883-000 | BOLT, FLANGE (6X12) (CT200) | 003 |
| 008 | 90055-ZE1-000 | SCREW, TAPPING (4X6) | 002 |
| 009 | 18381-ZL8-305 | GASKET, MUFFLER | (1) |
| 010 | 18350-ZL8-000 | ARRESTER, SPARK | (1) |
| 011 | 18356-ZL8-000 | PLATE, ARRESTER NUMBER | (1) |
| 012 | 90055-ZE1-000 | SCREW, TAPPING (4X6) | (1) |

TRU-POWER, INC.

| | | | |
|-------------------|---------------|---------------------|-------------------------------|
| Model Name | GC160 | Product Line | GENERAL PURPOSE ENGINE |
| Mfg | | Type | QHA |
| Section | ENGINE | Illustration | FUEL TANK - FUEL PUMP |

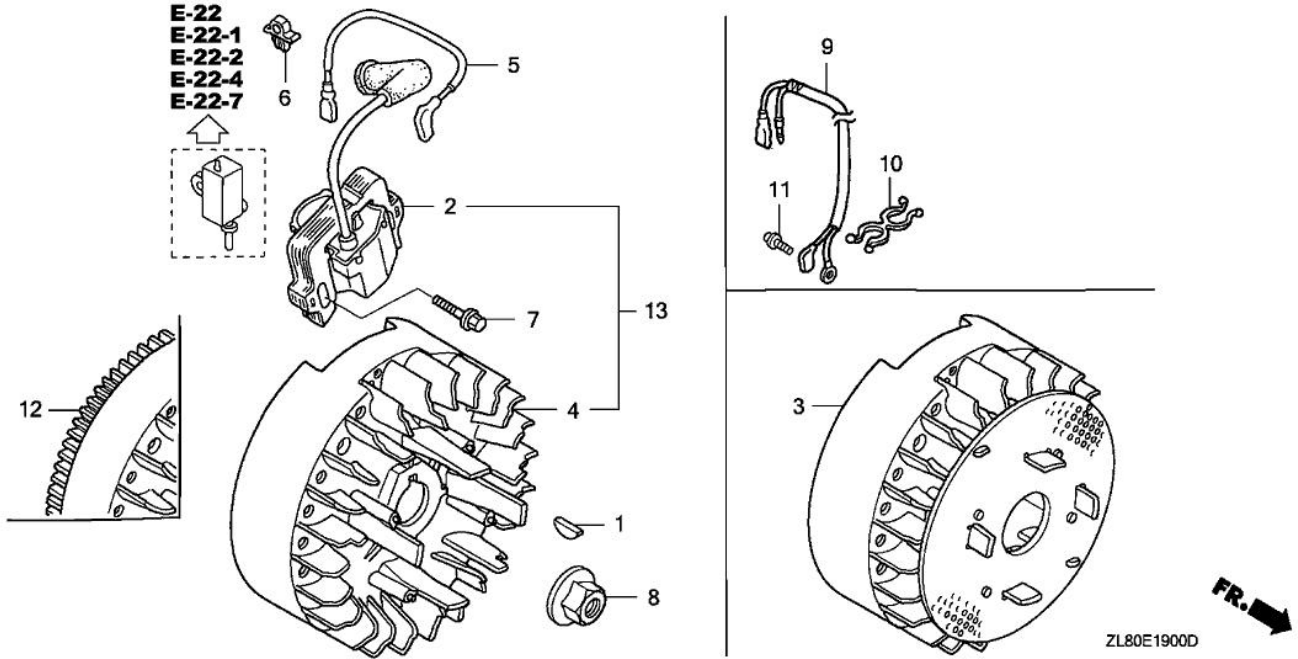


ZL80E1700D

| Ref. | Part Number | Part Description | Qty. |
|------|----------------|-------------------------------|------|
| 001 | 16700-Z0J-003 | PUMP ASSY., FUEL | 001 |
| 001 | 16700-ZL8-003 | PUMP ASSY., FUEL | 001 |
| 001 | 16700-ZL8-013 | PUMP ASSY., FUEL | 001 |
| 003 | 16882-ZL8-000 | TUBE, DIAPHRAGM | 001 |
| 004 | 16952-ZA8-800 | FILTER, FUEL | 001 |
| 005 | 17511-ZL8-000 | TANK, FUEL | 001 |
| 006 | 17516-ZV0-000 | RUBBER B, TANK MOUNTING | 002 |
| 008 | 17535-KE7-000 | COLLAR, FUEL TANK SETTING | 001 |
| 009 | 17561-ZL8-000 | STAY A, FUEL TANK | 001 |
| 010 | 17620-ZL8-003 | CAP ASSY., FUEL TANK | 001 |
| 010 | 17620-ZL8-013 | CAP ASSY., FUEL TANK | 001 |
| 010 | 17620-ZL8-023 | CAP ASSY., FUEL TANK | 001 |
| 011 | 17701-ZL8-000 | TUBE, FUEL TANK | 001 |
| 012 | 17702-ZL8-000 | TUBE, FUEL | 001 |
| 015 | 80103-MG2-000 | CUSHION, RR. FENDER | 001 |
| 016 | 90041-ZL8-000 | BOLT, FUEL TANK STUD (H=30MM) | 001 |
| 017 | 90473-896-000 | WASHER (6MM) | 001 |
| 018 | 90501-KA2-640 | COLLAR (14X6.1) | 002 |
| 019 | 93404-06025-00 | BOLT-WASHER (6X25) | 002 |
| 020 | 93894-05014-00 | SCREW-WASHER (5X14) | 002 |
| 021 | 94050-06000 | NUT, FLANGE (6MM) | 001 |
| 023 | 95002-02080 | CLIP, TUBE (B8) | 001 |
| 024 | 95002-02100 | CLIP, TUBE (B10) | 001 |
| 025 | 95002-50000 | CLIP, TUBE (C9) | 001 |
| 026 | 95002-70000 | CLIP, TUBE (C11) | 001 |
| 035 | 17622-ZL8-003 | SPONGE, FUEL CAP BREATHER | 001 |
| 036 | 17624-ZL8-013 | GASKET, FUEL CAP | 001 |

TRU-POWER, INC.

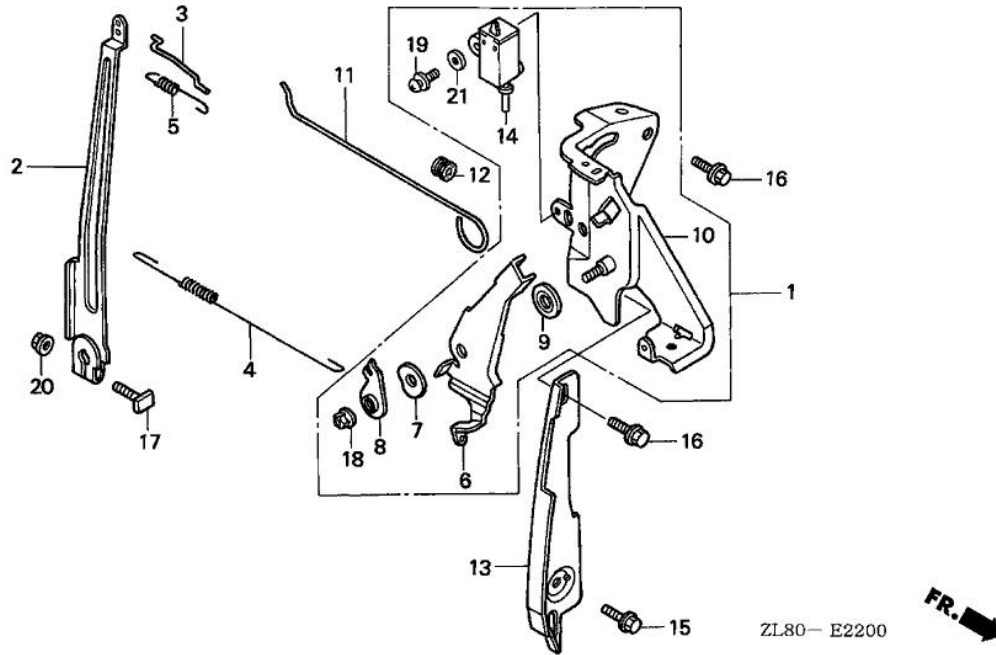
| | | | |
|------------|--------|--------------|--------------------------|
| Model Name | GC160 | Product Line | GENERAL PURPOSE ENGINE |
| Mfg | | Type | QHA |
| Section | ENGINE | Illustration | FLYWHEEL - IGNITION COIL |



| Ref. | Part Number | Part Description | Qty. |
|------|---------------|---|------|
| 001 | 13331-357-000 | KEY, SPECIAL WOODRUFF (25X18) | 001 |
| 002 | 30500-ZL8-014 | COIL ASSY., IGNITION (USE FOR F/W OF TEC) (TEC) | 001 |
| 004 | 31110-ZL8-004 | FLYWHEEL COMP. (TEC) (USE FOR IGN. COIL OF TEC) (USE FOR TEC IGNITION COIL) | ... |
| 005 | 32195-ZL8-000 | WIRE, STOP SWITCH | 001 |
| 006 | 36103-ZE1-000 | HOLDER, STOP SWITCH WIRE | 001 |
| 007 | 90022-888-010 | BOLT, FLANGE (6X20) (CT200) | 001 |
| 008 | 90201-878-003 | NUT, SPECIAL (14MM) | 001 |

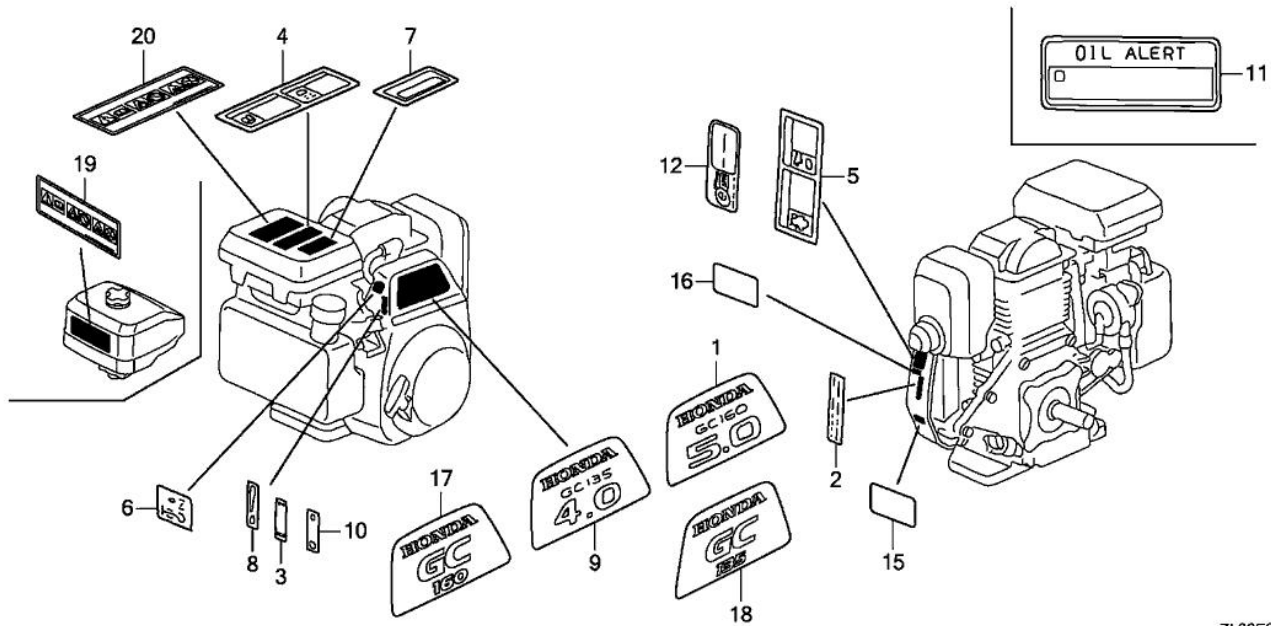
TRU-POWER, INC.

| | | | |
|-------------------|---------------|---------------------|-------------------------------|
| Model Name | GC160 | Product Line | GENERAL PURPOSE ENGINE |
| Mfg | | Type | QHA |
| Section | ENGINE | Illustration | CONTROL (1) |



| Ref. | Part Number | Part Description | Qty. |
|------|----------------|---------------------------------|------|
| 001 | 16500-ZL8-000 | CONTROL ASSY. | 001 |
| 002 | 16551-ZL8-000 | ARM, GOVERNOR | 001 |
| 002 | 16551-ZL8-010 | ARM, GOVERNOR | 001 |
| 003 | 16555-ZL8-000 | ROD, GOVERNOR | 001 |
| 004 | 16561-ZL8-000 | SPRING, GOVERNOR | 001 |
| 005 | 16562-ZL8-000 | SPRING, THROTTLE RETURN | 001 |
| 005 | 16562-ZL8-800 | SPRING, THROTTLE RETURN | 001 |
| 006 | 16571-ZL8-000 | LEVER, CONTROL | 001 |
| 007 | 16574-ZE1-000 | SPRING, LEVER | 001 |
| 008 | 16575-ZL8-000 | WASHER, CONTROL LEVER | 001 |
| 009 | 16578-ZE1-000 | SPACER, CONTROL LEVER | 001 |
| 010 | 16580-ZL8-000 | BASE, CONTROL | 001 |
| 011 | 16611-ZL8-000 | ROD, CHOKE CONTROL | 001 |
| 012 | 16613-893-000 | GROMMET, CHOKE ROD | 001 |
| 013 | 19612-ZL8-000 | PLATE, SIDE | 001 |
| 014 | 35120-ZL8-003 | SWITCH ASSY., ENGINE STOP (N.O) | 001 |
| 015 | 90013-883-000 | BOLT, FLANGE (6X12) (CT200) | 001 |
| 016 | 90014-952-000 | BOLT, FLANGE (6X14) (CT200) | 002 |
| 017 | 90015-ZE5-010 | BOLT, GOVERNOR ARM | 001 |
| 018 | 90114-SA0-000 | NUT, SELF-LOCK (6MM) | 001 |
| 019 | 93892-04012-00 | SCREW-WASHER (4X12) | 001 |
| 020 | 94050-06000 | NUT, FLANGE (6MM) | 001 |
| 021 | 94103-04000 | WASHER, PLAIN (4MM) | 001 |

| | | | |
|------------|--------|--------------|------------------------|
| Model Name | GC160 | Product Line | GENERAL PURPOSE ENGINE |
| Mfg | | Type | QHA |
| Section | ENGINE | Illustration | LABEL |



ZL80E2800L

| Ref. | Part Number | Part Description | Qty. |
|------|---------------|---------------------------|------|
| 001 | 87101-ZL8-000 | EMBLEM (GC160 5.0) | 001 |
| 001 | 87101-ZL8-020 | EMBLEM (GC160) | 001 |
| 006 | 87528-ZL8-000 | MARK, CHOKE | 001 |
| 008 | 87532-ZL8-800 | MARK, THROTTLE INDICATION | 001 |