



ZE10-E1100



| <u>Ref</u> | <u>Partnumber</u> | <u>Description</u> | <u>GX140</u> | <u>Serial Numbers</u> |
|------------|-------------------|----------------------------------|--------------|-----------------------|
| 001 | 28400-ZE1-003ZA | STARTER ASSY., RECOIL *R8 * | (1) | |
| 003 | 28410-ZE1-003ZA | CASE COMP., RECOIL STARTER *R8 * | (1) | |
| 005 | 28420-ZE1-003 | PULLEY, RECOIL STARTER | (1) | |
| 006 | 28422-ZE1-003 | RATCHET, STARTER | (1) | |
| 007 | 28423-ZE1-003 | PIN, STARTER RATCHET | (1) | |
| 008 | 28431-ZE1-003 | PLATE, FRICTION | (1) | |
| 009 | 28441-ZE1-003 | SPRING, FRICTION | (1) | |
| 010 | 28442-ZE1-003 | SPRING, RECOIL STARTER | (1) | |
| 011 | 28443-ZE1-003 | GUIDE, RATCHET | (1) | |
| 012 | 28445-ZE1-003 | CASE, RECOIL STARTER SPRING | (1) | |
| 013 | 28446-ZE1-003 | WASHER, STARTER | (1) | |
| 014 | 28447-ZE1-003 | SHAFT, SUB | (1) | |
| 015 | 28448-ZE1-003 | NUT | (1) | |
| <u>Ref</u> | <u>Partnumber</u> | <u>Description</u> | <u>GX140</u> | <u>Serial Numbers</u> |
| 016 | 28461-ZE1-003 | KNOB, RECOIL STARTER | (1) | |
| 017 | 28462-ZE1-003 | ROPE, RECOIL STARTER | (1) | |
| 020 | 95700-0601000 | BOLT, FLANGE, 6X10 | (3) | 2077227 |
| 020 | 95701-0600800 | BOLT, FLANGE, 6X8 | 3 | 2077228 |

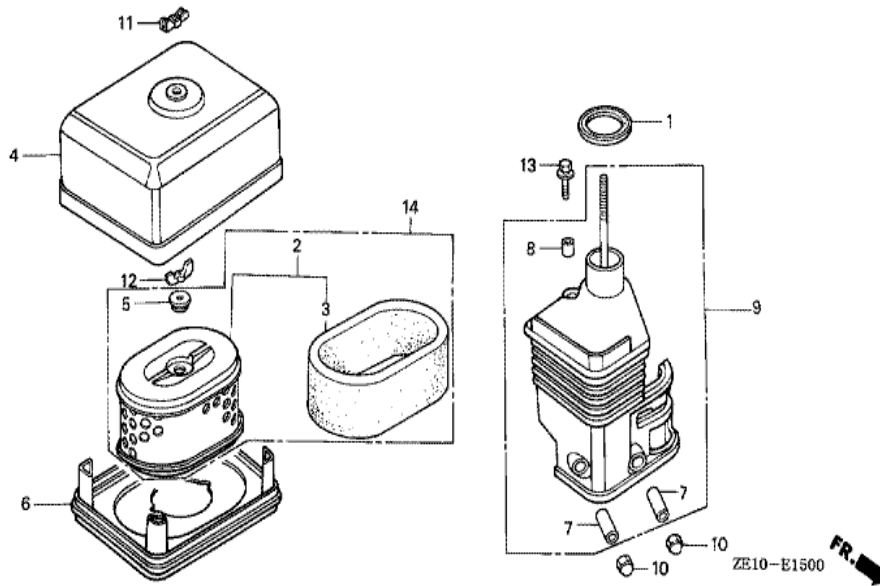


| Ref | Partnumber | Description | GX140 | Serial Numbers |
|-----|-----------------|----------------------------|-------|----------------|
| 002 | 19610-ZE1-000ZA | COVER COMP., FAN *R8 * | (1) | |
| 005 | 19611-ZE1-000 | PLATE, SIDE | (1) | 3172661 |
| 005 | 19612-ZH8-000 | PLATE, SIDE (STD.) | 1 | 3172662 |
| 009 | 19631-ZE1-000 | SHROUD COMP. | 1 | |
| 010 | 36100-883-005 | SWITCH ASSY., ENGINE STOP | (1) | |
| 010 | 36100-ZE1-005 | SWITCH ASSY., ENGINE STOP | (1) | |
| 011 | 36101-ZE1-000 | CORD, STOP SWITCH (370MM) | (1) | 3155568 |
| 011 | 36101-ZE1-010 | CORD, STOP SWITCH (370MM) | 1 | |
| 012 | 36103-ZE1-000 | HOLDER, STOP SWITCH CORD | 2 | |
| 014 | 90013-883-000 | BOLT, FLANGE, 6X12 (CT200) | 6 | |
| 015 | 90022-888-010 | BOLT, FLANGE, 6X20 (CT200) | (1) | |

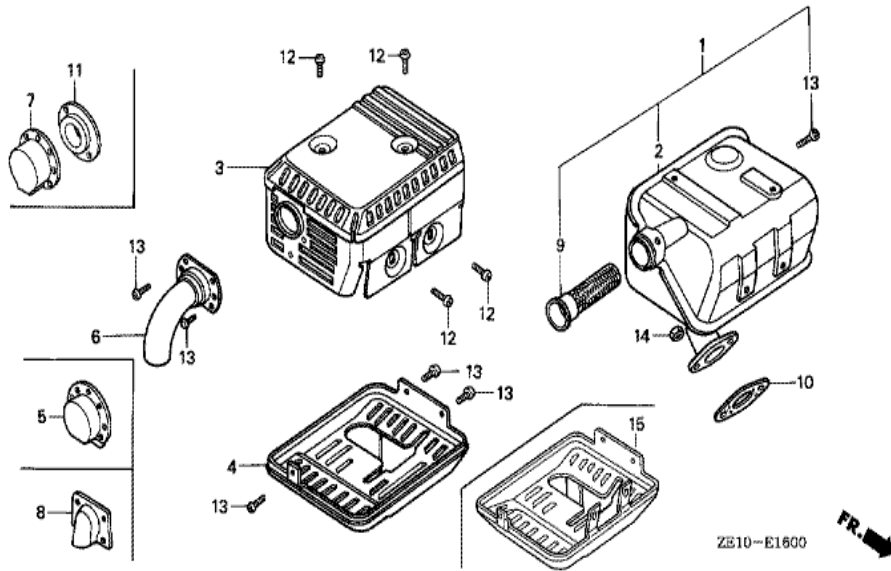


| Ref | Partnumber | Description | GX140 | Serial Numbers |
|-----|---------------|--|-------|-----------------|
| 002 | 16010-ZE1-811 | GASKET SET | 1 | BE08A B |
| 002 | 16010-ZE1-812 | GASKET SET | 1 | BE08A C |
| 003 | 16011-ZE0-005 | VALVE SET, FLOAT | (1) | |
| 004 | 16013-ZE0-005 | FLOAT SET | (1) | |
| 005 | 16015-ZE1-811 | CHAMBER SET, FLOAT | (1) | |
| 006 | 16016-ZE0-005 | SCREW SET, PILOT | (1) | |
| 007 | 16024-ZE1-811 | SCREW SET, DRAIN | (1) | |
| 008 | 16028-ZE0-005 | SCREW SET | (1) | |
| 009 | 16044-ZE0-005 | CHOKE SET | (1) | |
| 010 | 16100-ZE1-815 | CARBURETOR ASSY. (BE05B E) (WITH STRAINE | 1 | 2559751 |
| 010 | 16100-ZE1-821 | CARBURETOR ASSY. (BE05C A) (WITH STRAINE | (1) | 1150009 |
| 010 | 16100-ZE1-822 | CARBURETOR ASSY. (BE05C B) (WITH STRAINE | (1) | 1150010 1378034 |
| 010 | 16100-ZE1-824 | CARBURETOR ASSY. (BE05C D) (WITH STRAINE | 1 | 1378035 2559750 |

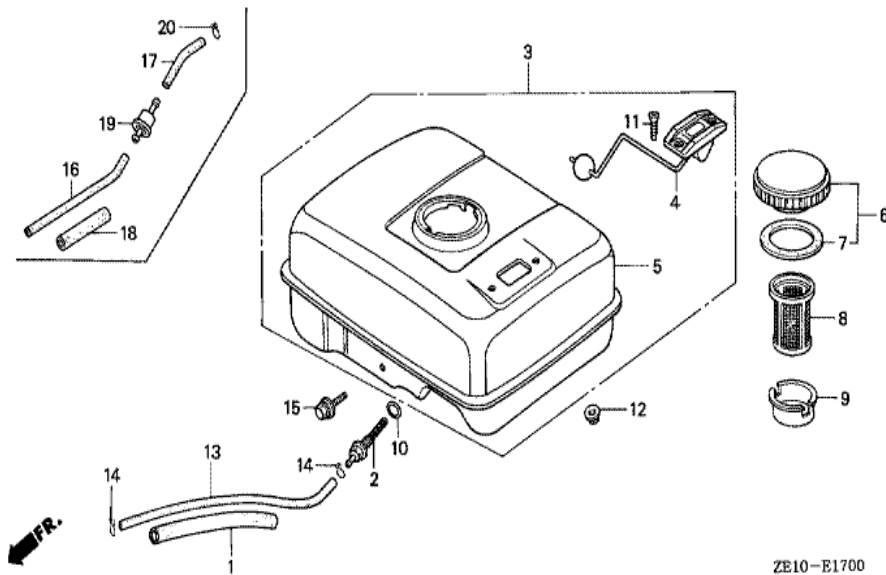
| <u>Ref</u> | <u>Partnumber</u> | <u>Description</u> | <u>GX140</u> | <u>Serial Numbers</u> |
|------------|-------------------|----------------------------|--------------|-----------------------|
| 011 | 16124-ZE0-005 | SCREW, THROTTLE STOP | (1) | |
| 012 | 16166-ZE1-005 | NOZZLE, MAIN | (1) | |
| 013 | 16173-001-004 | PACKING, FUEL STRAINER CUP | (1) | |
| 014 | 16211-ZE1-000 | INSULATOR, CARBURETOR | 1 | |
| 015 | 16220-ZE1-000 | SPACER COMP., CARBURETOR | 1 | 1786084 |
| 015 | 16220-ZE1-010 | SPACER COMP., CARBURETOR | 1 | 1786085 1892647 |
| 015 | 16220-ZE1-020 | SPACER COMP., CARBURETOR | 1 | |
| 016 | 16221-ZE1-000 | PACKING, CARBURETOR | 1 | |
| 017 | 16223-ZE1-000 | PACKING, INSULATOR | 1 | |
| 020 | 16610-ZE1-000 | LEVER COMP., CHOKE (STD.) | (1) | |
| 024 | 16953-ZE1-811 | LEVER, COCK | 1 | BE05C B |
| 025 | 16954-ZE1-811 | PLATE, LEVER SETTING | 1 | BE05A B |
| 026 | 16956-ZE1-811 | SPRING, COCK LEVER | 1 | BE05C B |
| 027 | 16957-ZE1-811 | PACKING, FUEL COCK | 1 | BE05B D |
| 027 | 16957-ZE1-812 | PACKING, FUEL COCK | 1 | BE08A C |
| 028 | 16967-ZE0-811 | CUP, FUEL STRAINER | (1) | |
| 030 | 93500-030080H | SCREW, PAN, 3X8 | 2 | BE05B B BE05B D |
| 030 | 93500-030081G | SCREW, PAN, 3X8 | 2 | BE08A C |
| 033 | 94305-20122 | PIN, SPRING, 2X12 | 1 | |
| 034 | 99101-1240620 | JET, MAIN, #62 | (1) | |
| 034 | 99101-1240650 | JET, MAIN, #65 | (1) | |
| 034 | 99101-1240680 | JET, MAIN, #68 | (1) | |
| 035 | 99204-ZE00350 | JET SET, PILOT, #35 | (1) | |



| <u>Ref</u> | <u>Partnumber</u> | <u>Description</u> | <u>GX140</u> | <u>Serial Numbers</u> |
|------------|-------------------|--|--------------|-----------------------|
| 001 | 16271-ZE1-000 | PACKING, ELBOW | (1) | |
| 002 | 17210-ZE1-821 | ELEMENT, AIR CLEANER (DUAL) | (1) | 2115700 |
| 003 | 17218-ZE1-821 | FILTER, OUTER | 1 | 2397839 |
| 004 | 17230-ZE1-820 | COVER, AIR CLEANER (DUAL) | (1) | |
| 005 | 17232-891-000 | GROMMET, AIR CLEANER | 1 | 2397839 |
| 007 | 17238-ZE1-000 | COLLAR, AIR CLEANER | (2) | 1786084 |
| 007 | 17238-ZE7-010 | COLLAR, AIR CLEANER | 2 | 2397839 |
| 008 | 17239-ZE1-000 | COLLAR B, AIR CLEANER | 1 | 2397839 |
| 009 | 17410-ZE1-000 | ELBOW COMP., AIR CLEANER | (1) | 1220569 |
| 009 | 17410-ZE1-010 | ELBOW COMP., AIR CLEANER | 1 | 1220570 1786084 |
| 009 | 17410-ZE1-020 | ELBOW COMP., AIR CLEANER | 1 | 1786085 |
| 010 | 90201-415-000 | NUT, CAP, 6MM | 2 | 2397839 |
| 011 | 90203-PB2-000 | NUT, AIR CLEANER COVER (DACRO COATING) | 1 | 2397839 |
| <u>Ref</u> | <u>Partnumber</u> | <u>Description</u> | <u>GX140</u> | <u>Serial Numbers</u> |
| 012 | 90325-044-000 | NUT, TOOL BOX SETTING | (1) | |
| 013 | 93494-0602008 | BOLT-WASHER, 6X20 | 1 | 2397839 |
| 014 | 17210-ZE1-822 | ELEMENT, AIR CLEANER (DUAL) | 1 | |

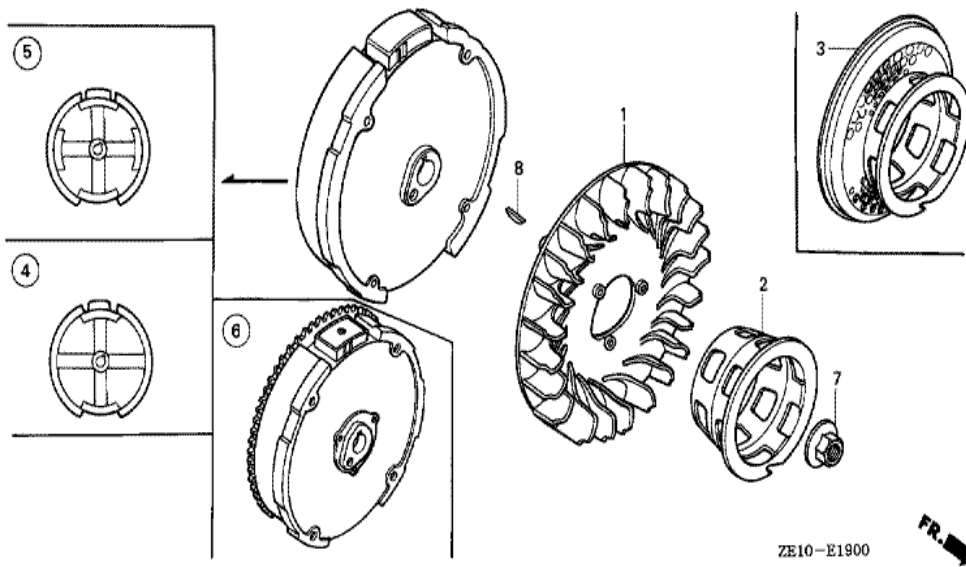


| Ref | Partnumber | Description | GX140 | Serial Numbers |
|-----|---------------|----------------------|-------|----------------|
| 002 | 18310-ZE1-000 | MUFFLER COMP. (STD.) | (1) | 1869307 |
| 002 | 18310-ZE1-010 | MUFFLER COMP. (STD.) | (1) | 1869308 |
| 003 | 18320-ZE1-000 | PROTECTOR, UPPER | (1) | |
| 010 | 18381-ZE1-000 | GASKET, MUFFLER | 1 | |
| 012 | 90050-ZE1-000 | SCREW, TAPPING, 5X8 | (4) | |
| 013 | 90055-ZE1-000 | SCREW, TAPPING, 4X6 | (6) | |
| 014 | 94001-08000S | NUT, HEX., 8MM | 2 | |



ZE10-E1700

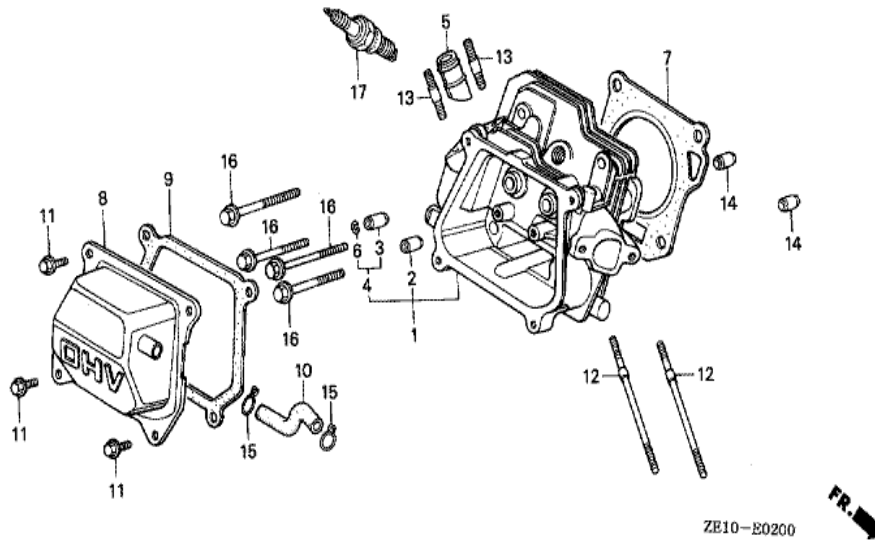
| Ref | Partnumber | Description | GX140 | Serial Numbers |
|-----|-----------------|---------------------------------------|-------|----------------|
| 001 | 16854-ZE1-000 | RUBBER, SUPPORTER (107MM) | 1 | 3201952 |
| 001 | 16854-ZH8-000 | RUBBER, SUPPORTER (107MM) | 1 | 3201953 |
| 002 | 16955-ZE1-000 | JOINT, FUEL TANK | (1) | |
| 005 | 17510-ZE1-010ZA | TANK COMP., FUEL *NH31 * | (1) | 3033315 |
| 005 | 17510-ZE1-020ZA | TANK COMP., FUEL *NH31 * | 1 | 3033316 |
| 006 | 17620-890-000 | CAP COMP., FUEL FILLER | (1) | 2115700 |
| 006 | 17620-890-010 | CAP COMP., FUEL FILLER | 1 | 2115701 |
| 007 | 17631-329-000 | PACKING, FUEL FILLER CAP | (1) | 2115700 |
| 007 | 17631-329-003 | PACKING, FUEL FILLER CAP (39X58X3) | 1 | 2115701 |
| 010 | 91353-671-004 | O-RING, 14MM (NOK) | (1) | |
| 012 | 94050-06000 | NUT, FLANGE, 6MM | (2) | |
| 013 | 95001-4514040 | TUBE, FUEL, 4.5X140 (95001-45001-60M) | (1) | |
| 014 | 95002-02080 | CLIP, TUBE (B8) | (2) | |
| Ref | Partnumber | Description | GX140 | Serial Numbers |
| 015 | 95900-0602500 | BOLT, FLANGE, 6X25 | (1) | |



ZE10-E1900

FR. →

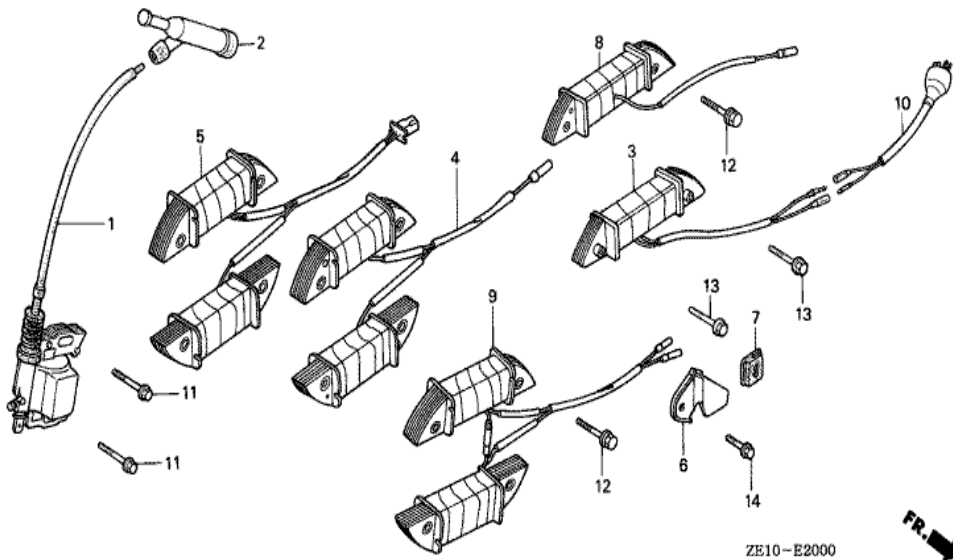
| Ref | Partnumber | Description | GX140 | Serial Numbers |
|-----|---------------|------------------------------|-------|----------------|
| 001 | 19511-ZE1-000 | FAN, COOLING | 1 | |
| 002 | 28451-ZE1-003 | PULLEY, STARTER | (1) | |
| 004 | 31100-ZE1-000 | FLYWHEEL COMP. | (1) | |
| 007 | 90201-878-003 | NUT, SPECIAL, 14MM | 1 | |
| 008 | 13331-357-000 | KEY, SPECIAL WOODRUFF, 25X18 | 1 | |
| 008 | 94401-25180 | KEY, WOODRUFF, 25X18 | 1 | 1328672 |



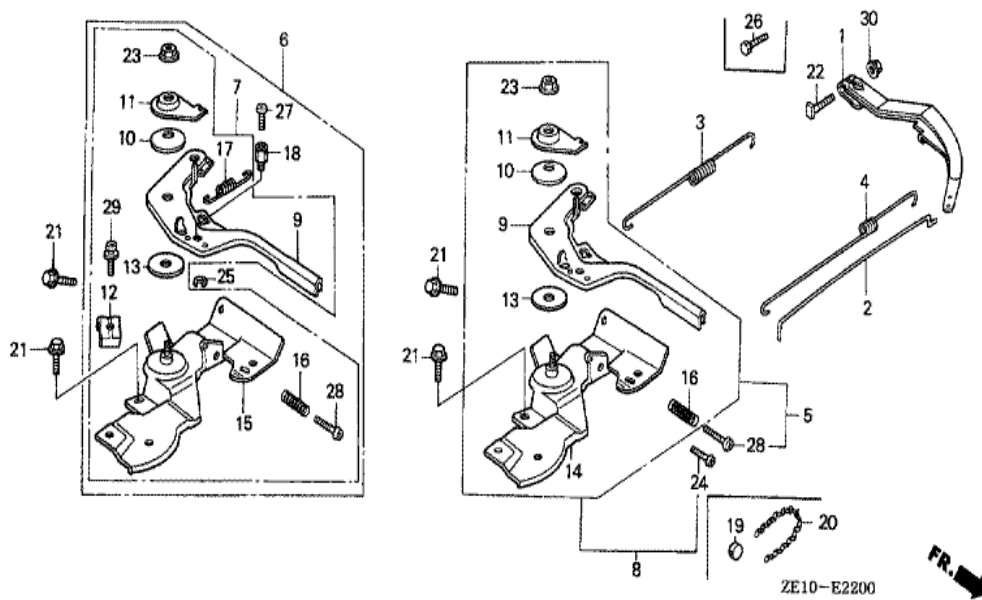
ZE10-E0200



| <u>Ref</u> | <u>Partnumber</u> | <u>Description</u> | <u>GX140</u> | <u>Serial Numbers</u> |
|------------|-------------------|--------------------------------|--------------|-----------------------|
| 001 | 122A0-ZE1-000 | HEAD COMP., CYLINDER | 1 | 1206239 |
| 001 | 122A0-ZE1-010 | HEAD COMP., CYLINDER | 1 | 1206240 1369812 |
| 001 | 122A0-ZE1-020 | HEAD COMP., CYLINDER | 1 | 1369813 |
| 002 | 12204-ZE1-305 | GUIDE, IN. VALVE (OS) | (1) | |
| 003 | 12205-ZE1-305 | GUIDE, EX. VALVE (O.S.) | (1) | 1369812 |
| 004 | 12205-ZE1-315 | GUIDE, EX. VALVE (OS) | (1) | 1369813 |
| 006 | 12216-ZE5-300 | CLIP, VALVE GUIDE | 1 | |
| 007 | 12251-ZE1-000 | GASKET, CYLINDER HEAD | 1 | |
| 008 | 12310-ZE1-000 | COVER COMP., HEAD | (1) | |
| 009 | 12391-ZE1-000 | PACKING, HEAD COVER | 1 | |
| 010 | 15721-ZE1-000 | TUBE, BREATHER | 1 | 1220569 |
| 010 | 15721-ZE1-010 | TUBE, BREATHER | 1 | 1220570 |
| 011 | 90013-883-000 | BOLT, FLANGE, 6X12 (CT200) | 4 | 1049824 |
| <u>Ref</u> | <u>Partnumber</u> | <u>Description</u> | <u>GX140</u> | <u>Serial Numbers</u> |
| 011 | 90016-ZE1-000 | BOLT, FLANGE, 6X13 (CT200) | 4 | 1049825 |
| 012 | 90043-ZE1-000 | BOLT, STUD, 6X109 | 2 | 1206239 |
| 012 | 90043-ZE1-010 | BOLT, STUD, 6X109 | 2 | |
| 013 | 90047-ZE1-000 | BOLT, STUD, 8X32 | 2 | |
| 014 | 94301-10160 | DOWEL PIN, 10X16 | 2 | |
| 016 | 95723-0806000 | BOLT, FLANGE, 8X60 | 4 | |
| 017 | 98079-56846 | PLUG, SPARK (BPR6ES) (NGK) | (1) | |
| 017 | 98079-56855 | PLUG, SPARK (W20EPR-U) (DENSO) | (1) | |

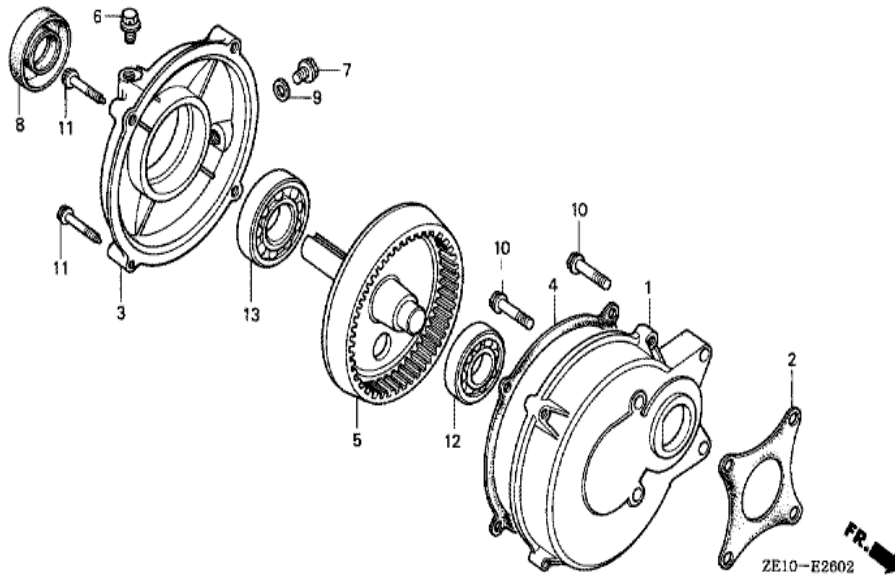


| Ref | Partnumber | Description | GX140 | Serial Numbers |
|-----|---------------|---|-------|-----------------|
| 001 | 30500-ZE1-003 | COIL ASSY., IGNITION | (1) | 1530314 |
| 001 | 30500-ZE1-013 | COIL ASSY., IGNITION | 1 | 1530315 3155568 |
| 001 | 30500-ZE1-023 | COIL ASSY., IGNITION | 1 | 3155569 |
| 002 | 30700-ZE1-013 | CAP ASSY., NOISE SUPPRESSOR (NICHIIWA Y-E | (1) | |
| 011 | 90015-883-000 | BOLT, FLANGE, 6X28 (CT200) | (2) | 1530314 |
| 011 | 90121-952-000 | BOLT, FLANGE, 6X25 (CT200) | 2 | 1530315 |

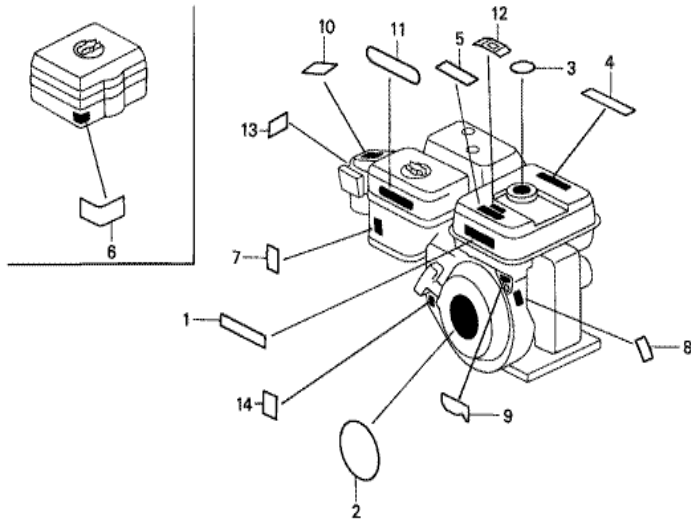


| Ref | Partnumber | Description | GX140 | Serial Numbers |
|-----|---------------|-------------------------|-------|-----------------|
| 001 | 16551-ZE0-010 | ARM, GOVERNOR | 1 | 3033316 |
| 001 | 16551-ZE1-000 | ARM, GOVERNOR | 1 | 1077453 |
| 001 | 16551-ZE1-010 | ARM, GOVERNOR | 1 | 1077454 3033315 |
| 002 | 16555-ZE1-000 | ROD, GOVERNOR | 1 | |
| 003 | 16561-ZE1-000 | SPRING, GOVERNOR | 1 | 1077453 |
| 003 | 16561-ZE1-010 | SPRING, GOVERNOR | 1 | 1077454 1379449 |
| 003 | 16561-ZE1-020 | SPRING, GOVERNOR | 1 | 1379450 |
| 003 | 16561-ZE1-810 | SPRING, GOVERNOR | 1 | 1077454 1379449 |
| 004 | 16562-ZE1-000 | SPRING, THROTTLE RETURN | 1 | 1379449 |
| 004 | 16562-ZE1-020 | SPRING, THROTTLE RETURN | 1 | 1379450 |
| 007 | 16500-ZH8-820 | CONTROL ASSY. (REMOTE) | 1 | 3172748 |
| 007 | 16570-ZE1-820 | CONTROL ASSY. (REMOTE) | (1) | 1378034 |
| 007 | 16570-ZE1-821 | CONTROL ASSY. (REMOTE) | (1) | 1378035 3172541 |

| <u>Ref</u> | <u>Partnumber</u> | <u>Description</u> | <u>GX140</u> | <u>Serial Numbers</u> |
|------------|-------------------|------------------------------|--------------|-----------------------|
| 009 | 16571-ZE1-000 | LEVER, CONTROL | 1 | 1379449 |
| 009 | 16571-ZE1-010 | LEVER, CONTROL | 1 | 1378035 3172541 |
| 009 | 16571-ZH8-000 | LEVER, CONTROL | (1) | 3172542 |
| 010 | 16574-ZE1-000 | SPRING, LEVER | (1) | |
| 011 | 16575-ZE1-000 | WASHER, CONTROL LEVER | 1 | 3172747 |
| 011 | 16575-ZH8-000 | WASHER, CONTROL LEVER | (1) | 3172542 |
| 012 | 16576-891-000 | HOLDER, CABLE | (1) | |
| 013 | 16578-ZE1-000 | SPACER, CONTROL LEVER | (1) | |
| 015 | 16580-ZH8-810 | BASE COMP., CONTROL (REMOTE) | 1 | 3172542 |
| 015 | 16581-ZE1-810 | BASE COMP., CONTROL (REMOTE) | (1) | 3172541 |
| 016 | 16584-883-300 | SPRING, CONTROL ADJUSTING | (1) | |
| 017 | 16592-ZE1-810 | SPRING, CABLE RETURN | 1 | 2789791 |
| 021 | 90013-883-000 | BOLT, FLANGE, 6X12 (CT200) | 2 | |
| 022 | 90015-ZE5-010 | BOLT, GOVERNOR ARM | 1 | 1770358 |
| 023 | 90114-SA0-000 | NUT, SELF-LOCK, 6MM | (1) | 1049825 |
| 023 | 94050-06000 | NUT, FLANGE, 6MM | (1) | 1049824 |
| 026 | 92000-06020 | BOLT, HEX., 6X20 | 1 | 1770357 |
| 028 | 93500-050200H | SCREW, PAN, 5X20 | 1 | 2637583 |
| 028 | 93500-050250H | SCREW, PAN, 5X25 | 1 | 3172542 |
| 029 | 93500-050160A | SCREW, PAN, 5X16 | (1) | 3172542 |
| 029 | 93893-0501600 | SCREW-WASHER, 5X16 | 1 | 3172541 |
| 030 | 94050-06000 | NUT, FLANGE, 6MM | 1 | |

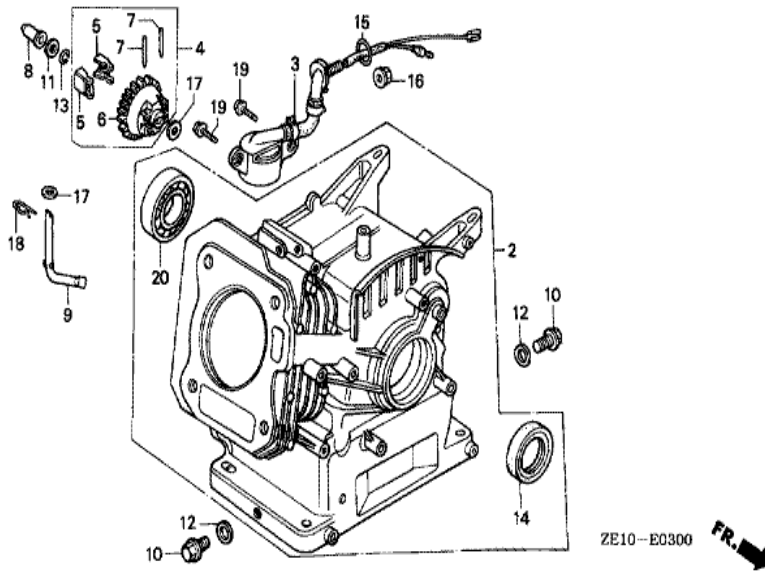


| Ref | Partnumber | Description | GX140 | Serial Numbers |
|-----|---------------|----------------------------|-------|----------------|
| 001 | 21521-883-741 | CASE, REDUCTION | 1 | |
| 002 | 21591-883-740 | PACKING, REDUCTION CASE | 1 | |
| 003 | 21621-883-741 | COVER, REDUCTION | 1 | |
| 004 | 21692-883-741 | PACKING, REDUCTION COVER | 1 | |
| 005 | 23710-883-740 | SHAFT, P.T.O. (86T) | 1 | |
| 006 | 90002-883-740 | BOLT, BREATHING | 1 | |
| 007 | 90131-883-000 | BOLT, DRAIN PLUG, 12X15 | 1 | |
| 008 | 91202-883-005 | OIL SEAL, 25X41X6 | 1 | |
| 009 | 94109-12000 | WASHER, DRAIN PLUG, 12MM | 1 | |
| 010 | 95700-0803208 | BOLT, FLANGE, 8X32 | 4 | |
| 011 | 95700-0803500 | BOLT, FLANGE, 8X35 | 4 | |
| 012 | 96100-6204000 | BEARING, RADIAL BALL, 6204 | 1 | |
| 013 | 96100-6305000 | BEARING, RADIAL BALL, 6305 | 1 | |

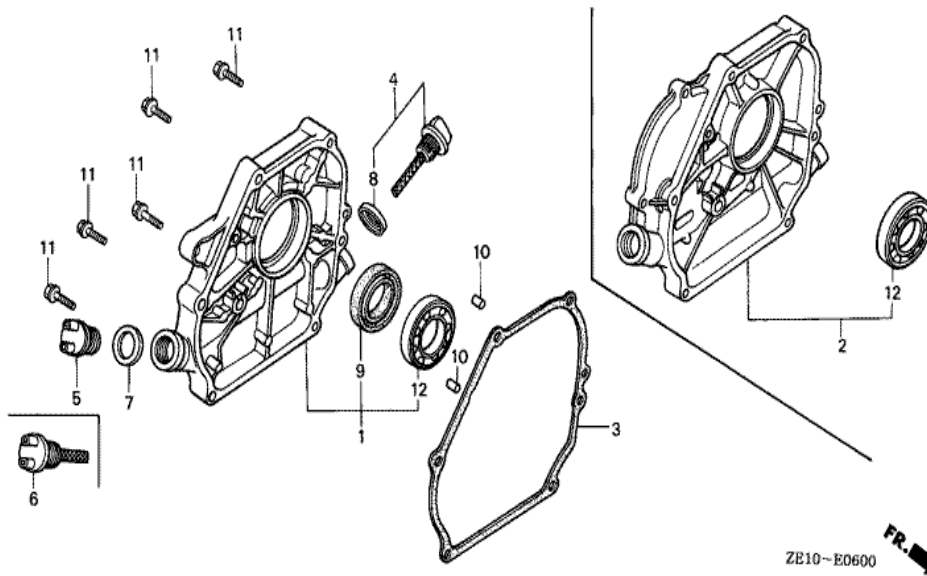


ZE10-E2800

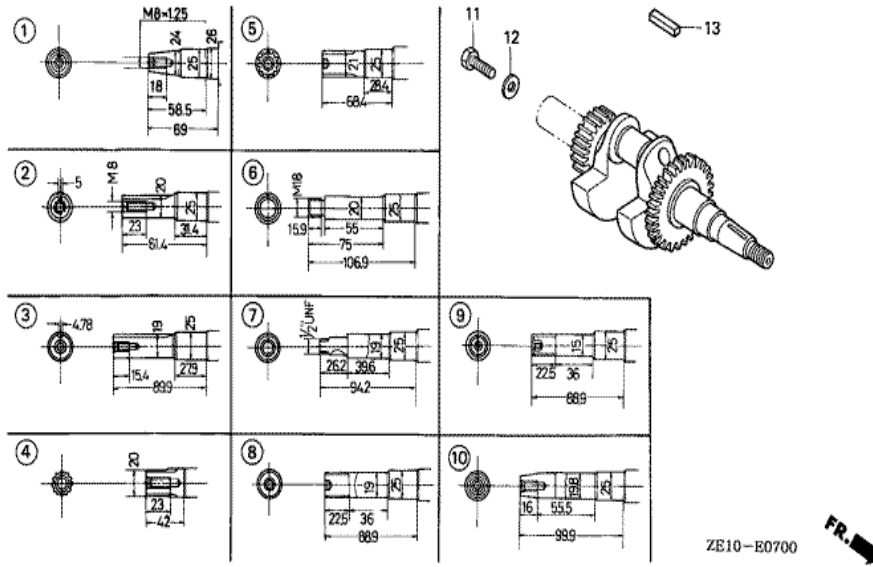
| Ref | Partnumber | Description | GX140 | Serial Numbers |
|-----|---------------|-------------------|-------|----------------|
| 002 | 87521-ZE1-810 | EMBLEM (EXTERNAL) | (1) | |
| 003 | 87522-ZE1-810 | MARK, CAUTION | (1) | |
| 007 | 87528-ZE1-810 | MARK, CHOKE | (1) | |



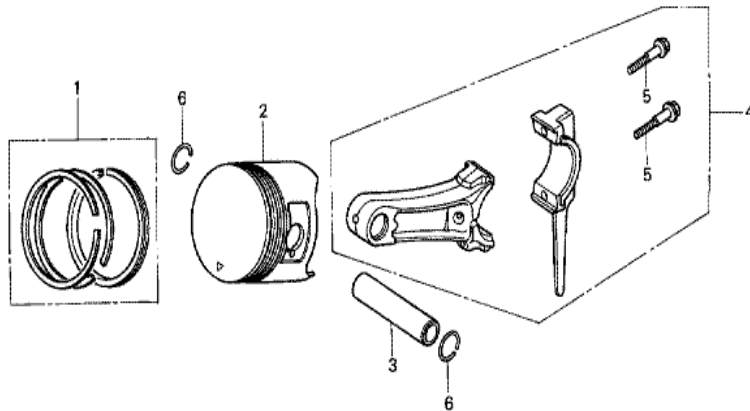
| <u>Ref</u> | <u>Partnumber</u> | <u>Description</u> | <u>GX140</u> | <u>Serial Numbers</u> |
|------------|-------------------|--------------------------------------|--------------|-----------------------|
| 002 | 120A0-ZE1-000 | BARREL ASSY., CYLINDER (STD.) | (1) | |
| 004 | 16510-ZE1-000 | GOVERNOR ASSY. | 1 | |
| 005 | 16511-ZE1-000 | WEIGHT, GOVERNOR | 2 | |
| 006 | 16512-ZE1-000 | HOLDER, GOVERNOR WEIGHT | 1 | |
| 007 | 16513-ZE1-000 | PIN, GOVERNOR WEIGHT | 2 | |
| 008 | 16531-ZE1-000 | SLIDER, GOVERNOR | 1 | |
| 009 | 16541-ZE1-000 | SHAFT, GOVERNOR ARM | 1 | |
| 010 | 90131-ZE1-000 | BOLT, DRAIN PLUG | 2 | |
| 011 | 90451-898-000 | WASHER, THRUST, 6MM | 1 | 1719421 |
| 011 | 90451-ZE1-000 | WASHER, THRUST, 6MM | 1 | 1720953 |
| 012 | 90601-ZE1-000 | WASHER, DRAIN PLUG, 10.2MM | 2 | |
| 013 | 90602-896-000 | CLIP, GOVERNOR HOLDER | 1 | 1728191 |
| 013 | 90602-ZE1-000 | CLIP, GOVERNOR HOLDER | 1 | 1728192 |
| <u>Ref</u> | <u>Partnumber</u> | <u>Description</u> | <u>GX140</u> | <u>Serial Numbers</u> |
| 014 | 91202-883-005 | OIL SEAL, 25X41X6 | 1 | |
| 017 | 94101-06800 | WASHER, PLAIN, 6MM | 2 | |
| 018 | 94251-08000 | PIN, LOCK, 8MM | 1 | |
| 020 | 91001-ZF1-003 | BEARING, RADIAL BALL (6205TMB) (NTN) | 1 | 3033316 |
| 020 | 91001-ZF1-004 | BEARING, RADIAL BALL (6205SH) (KOYO) | 1 | 3033316 |
| 020 | 96100-6205000 | BEARING, RADIAL BALL, 6205 | (1) | 3033315 |



| Ref | Partnumber | Description | GX140 | Serial Numbers |
|-----|---------------|------------------------------|-------|-----------------|
| 001 | 11300-ZE1-630 | COVER ASSY., CRANKCASE | 1 | 1089714 |
| 001 | 11300-ZE1-631 | COVER ASSY., CRANKCASE | 1 | 1089715 2056879 |
| 001 | 11300-ZE1-632 | COVER ASSY., CRANKCASE | 1 | 2056880 |
| 003 | 11381-ZE1-000 | PACKING, CASE COVER | 1 | |
| 004 | 15600-ZE1-000 | CAP ASSY., OIL FILLER (GRAY) | 1 | |
| 005 | 15620-ZG4-910 | CAP, OIL FILLER | 1 | 3249295 |
| 006 | 15621-ZE1-000 | CAP, OIL HOLE | 1 | 3249294 |
| 007 | 15621-896-010 | PACKING, OIL FILLER CAP | 1 | |
| 008 | 15625-ZE1-000 | PACKING, OIL FILLER CAP | 1 | |
| 009 | 91202-883-005 | OIL SEAL, 25X41X6 | 1 | |
| 010 | 94301-08140 | DOWEL PIN, 8X14 | 2 | |
| 011 | 95700-0803200 | BOLT, FLANGE, 8X32 | 6 | |
| 012 | 96100-6205000 | BEARING, RADIAL BALL, 6205 | 1 | |



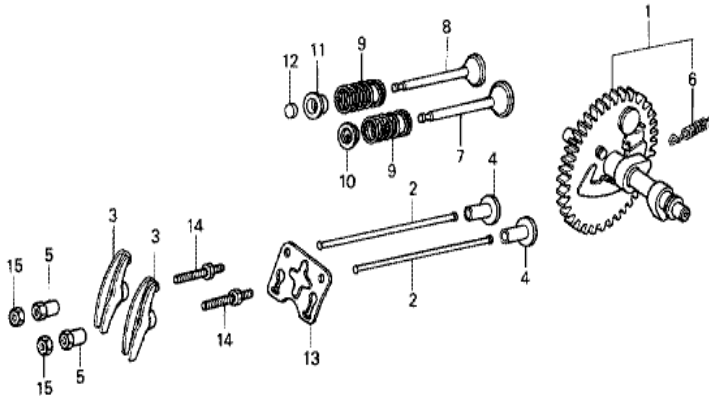
| Ref | Partnumber | Description | GX140 | Serial Numbers |
|-----|---------------|------------------|-------|----------------|
| 005 | 13310-ZE1-620 | CRANKSHAFT COMP. | 1 | 2056879 |
| 005 | 13310-ZE1-621 | CRANKSHAFT COMP. | 1 | 2056880 |



ZE10-E0800



| <u>Ref</u> | <u>Partnumber</u> | <u>Description</u> | <u>GX140</u> | <u>Serial Numbers</u> |
|------------|-------------------|---|--------------|-----------------------|
| 001 | 13010-ZE1-013 | RING SET, PISTON (STD.) (NIPPON) | 1 | 2120318 |
| 001 | 13010-ZE1-014 | RING SET, PISTON (STD.) (TEIKOKU) | 1 | 2120318 |
| 001 | 13011-ZE1-013 | RING SET, PISTON (0.25) (NIPPON) | (1) | 2120318 |
| 001 | 13011-ZE1-014 | RING SET, PISTON (0.25) (TEIKOKU) | (1) | 2120318 |
| 001 | 13012-ZE1-013 | RING SET, PISTON (0.50) (NIPPON) | (1) | 2120318 |
| 001 | 13012-ZE1-014 | RING SET, PISTON (0.50) (TEIKOKU) | (1) | 2120318 |
| 001 | 13013-ZE1-013 | RING SET, PISTON (0.75) (NIPPON) | (1) | 2120318 |
| 001 | 13013-ZE1-014 | RING SET, PISTON (0.75) (TEIKOKU) | (1) | 2120318 |
| 001 | 130A1-ZE1-003 | RING SET, PISTON (STD.) (NIPPON) | 1 | 2120317 |
| 001 | 130A1-ZE1-004 | RING SET, PISTON (STD.) (TEIKOKU) | 1 | 2120317 |
| 001 | 130A2-ZE1-003 | RING SET, PISTON (0.25) (NIPPON) | (1) | 2120317 |
| 001 | 130A2-ZE1-004 | RING SET, PISTON (0.25) (TEIKOKU) | (1) | 2120317 |
| 001 | 130A3-ZE1-003 | RING SET, PISTON (0.50) (NIPPON) | (1) | 2120317 |
| <u>Ref</u> | <u>Partnumber</u> | <u>Description</u> | <u>GX140</u> | <u>Serial Numbers</u> |
| 001 | 130A3-ZE1-004 | RING SET, PISTON (0.50) (TEIKOKU) | (1) | 2120317 |
| 001 | 130A4-ZE1-003 | RING SET, PISTON (0.75) (NIPPON) | (1) | 2120317 |
| 001 | 130A4-ZE1-004 | RING SET, PISTON (0.75) (TEIKOKU) | (1) | 2120317 |
| 002 | 13101-ZE1-000 | PISTON (STD.) | 1 | 2120317 |
| 002 | 13101-ZE1-010 | PISTON (STD.) | 1 | 2120318 |
| 002 | 13102-ZE1-000 | PISTON (0.25) | (1) | 2120317 |
| 002 | 13102-ZE1-010 | PISTON (0.25) | (1) | 2120318 |
| 002 | 13103-ZE1-000 | PISTON (0.50) | (1) | 2120317 |
| 002 | 13103-ZE1-010 | PISTON (0.50) | (1) | 2120318 |
| 002 | 13104-ZE1-000 | PISTON (0.75) | (1) | 2120317 |
| 002 | 13104-ZE1-010 | PISTON (0.75) | (1) | 2120318 |
| 003 | 13111-ZE1-000 | PIN, PISTON | 1 | |
| 004 | 13200-ZE1-000 | ROD ASSY., CONNECTING (STD.) | 1 | |
| 004 | 132A0-ZE1-000 | ROD ASSY., CONNECTING (0.25 UNDER SIZE) | (1) | |
| 005 | 90001-ZE1-000 | BOLT, CONNECTING ROD | 2 | |
| 006 | 90551-ZE1-000 | CLIP, PISTON PIN, 18MM | 2 | 1894373 |
| 006 | 94601-18000 | CLIP, PISTON PIN, 18MM | 2 | 1894372 |



ZE10-E0900



| <u>Ref</u> | <u>Partnumber</u> | <u>Description</u> | <u>GX140</u> | <u>Serial Numbers</u> |
|------------|-------------------|----------------------------|--------------|-----------------------|
| 001 | 14100-ZE1-000 | CAMSHAFT ASSY. | 1 | 1073870 |
| 001 | 14100-ZE1-810 | CAMSHAFT ASSY. | 1 | 1073871 1265459 |
| 001 | 14100-ZE1-811 | CAMSHAFT ASSY. | 1 | 1265460 1266289 |
| 001 | 14100-ZE1-812 | CAMSHAFT ASSY. | 1 | |
| 002 | 14410-ZE1-010 | ROD, PUSH | 2 | |
| 003 | 14431-ZE1-000 | ARM, VALVE ROCKER | 2 | |
| 004 | 14441-ZE1-000 | LIFTER, VALVE | 2 | |
| 005 | 14451-ZE1-003 | PIVOT, ROCKER ARM | 2 | |
| 006 | 14568-ZE1-000 | SPRING, WEIGHT RETURN | 1 | |
| 007 | 14711-ZE1-000 | VALVE, IN. | 1 | |
| 008 | 14721-ZE1-000 | VALVE, EX. | (1) | |
| 009 | 14751-ZE1-000 | SPRING, VALVE | 2 | |
| 010 | 14771-ZE1-000 | RETAINER, IN. VALVE SPRING | 1 | |
| <u>Ref</u> | <u>Partnumber</u> | <u>Description</u> | <u>GX140</u> | <u>Serial Numbers</u> |
| 011 | 14773-ZE1-000 | RETAINER, EX. VALVE SPRING | 1 | |
| 012 | 14781-ZE1-000 | ROTATOR, VALVE | 1 | |
| 013 | 14791-ZE1-000 | PLATE, PUSH ROD GUIDE | 1 | 1206239 |
| 013 | 14791-ZE1-010 | PLATE, PUSH ROD GUIDE | 1 | 1206240 |
| 014 | 90012-ZE0-000 | BOLT, PIVOT (6MM) | 2 | 1206239 |
| 014 | 90012-ZE0-010 | BOLT, PIVOT, 8MM | 2 | 1206240 |
| 015 | 90206-ZE1-000 | NUT, PIVOT ADJUSTING | 2 | |

GX140(HH)

EOP-1 GASKET KIT



HENG-X0003

| <u>Ref</u> | <u>Partnumber</u> | <u>Description</u> | <u>GX140</u> | <u>Serial Numbers</u> |
|------------|-------------------|--------------------|--------------|-----------------------|
| 001 | 061A1-ZE1-010 | GASKET KIT | 1 | |