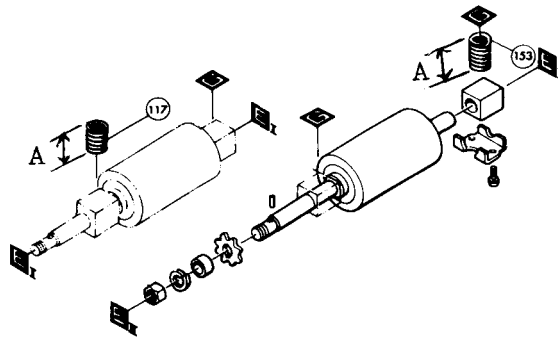


Item No.	Part No.	No. Used	Description	Item No.	Part No.	No. Used	Description	
1	154260-7	1	RULLER	90	341515-1	1	CHIP GUIDE	
2	164510-2	1	CHIP COVER	91	156575-8	1	GEAR HOUSING COVER	
3	231098-8	1	COMPRESSION SPRING 6	92	911221-8	4	SCREW	M5x16
4	924206-5	1	SCREW	93	231535-2	1	TORSION SPRING 13	
5	911309-4	2	SCREW	94	257555-8	1	SLEEVE 5	M5x10
6	323014-5	1	STOPPER	95	253011-6	1	WASHER 6	M6x10
7	253312-2	A.R.	WASHER 12	96	257556-6	1	SLEEVE 6	
8	152146-9	2	RULLER	97	251609-3	16	BOLT	M6x17
9	271244-1	1	KNOB	98	341510-1	4	DRUM COVER	
10	951119-7	1	SPRING PIN	99	342486-5	4	BLADE HOLDER	
11	321131-5	1	SCREW	101	221658-4	1	GEAR	M14
12	253798-0	1	WASHER 13	102	211256-2	1	BALL BEARING 6203LLB	
13	911316-7	2	SCREW	103	341507-0	1	WASHER 17	M6x14
14	341498-5	1	SCREW HOLDER	104	161074-7	1	DRUM	
15	253798-0	1	WASHER 13	105	911106-8	8	SCREW	M4x8
16	321135-7	1	GAUGE	106	341507-0	1	WASHER 17	
18	812120-6	1	SCALE PLATE	107	211256-2	1	BALL BEARING 6203LLB	
19	911104-2	2	SCREW	108	222074-3	1	V-PULLEY	M4x6
20	953106-2	4	RIVET	109	225053-0	1	POLY V-BELT	
21	253922-5	1	WASHER 12	110	911908-2	2	SCREW	M5x80
22	941301-6	1	WASHER 12	111	211106-1	1	BALL BEARING 6201LLB	
23	341497-7	1	SLIDE PLATE	112	341506-2	1	WASHER 12	
24	951157-9	2	SPRING PIN	113	613341-1	1	ARMATURE ASSEMBLY (Assembled Item No. 111,112,113A,115,116)	
25	231048-3	1	COMPRESSION SPRING 13	113A	241025-7	1	FAN	
26	921661-2	1	BOLT	115	213051-6	1	DUST SEAL	M12x40
27	951101-6	1	SPRING PIN	116	211066-7	1	BALL BEARING 6200LLB	
28	251609-3	1	BOLT	117	*	1	COMPRESSION SPRING 11	M6x17
29	941151-9	1	WASHER 6	118	263002-9	1	RUBBER PIN 4	
30	163129-4	1	BLADE COVER	119	681002-1	2	INSULATION WASHER	
31	231537-8	1	TORSION SPRING 17	120	643153-8	2	CARBON BRUSH	
32	911256-9	1	SCREW	121	643650-4	2	BRUSH CAP	M5x35
33	341508-8	1	BELT COVER	122	263005-3	1	RUBBER PIN 6	
34	257557-4	1	SLEEVE 6	123	623301-5	1	FIELD ASSEMBLY With Item No. 123A	M4x16
35	911126-2	4	SCREW	123A	654020-2	2	GARTER SPRING	
36	315111-1	1	BEARING BOX	124	222073-5	1	V-PULLEY	
37	311450-7	1	FIX BED	125	341504-6	1	SWTICH PROTECTOR	
38	156576-6	1	MOTOR HOUSING (With Brush Holder 643653-8 and Set Screw 913206-0, two of each)	126	652160-0	1	INSULATION WASHER	M5x8
39	921556-9	3	BOLT	128	664322-8	1	CORD with PLUG	M10x35
40	315106-4	1	MOTOR COVER	129	651750-6	1	SWITCH	
41	911226-8	3	SCREW	130	682505-8	1	CORD GUARD	M5x18
42	911226-8	3	SCREW	131	687628-7	1	STRAIN RELIEF	
43	331105-8	2	COLUMN	132	911216-1	2	SCREW	M5x14
44	311451-5	1	BED	133	253748-5	1	WASHER 12	
45	951281-8	4	SPRING PIN	134	221661-5	1	GEAR	
46	164509-7	1	BASE	135	321134-9	1	SPINDLE	
47	155331-3	1	GUIDE	136	253797-2	1	WASHER 14	
48	911201-4	2	SCREW	137	221513-0	1	SPROCKET 8	M5x8
49	321146-2	1	BUSH 5	138	257065-5	1	RING 10	
50	253011-6	1	WASHER 6	139	942251-8	1	WASHER 10	
51	911221-8	1	SCREW	140	931503-2	1	NUT	M10
52	231536-0	1	TORSION SPRING 13	141	253180-3	1	WASHER 10	
53	951101-6	1	SPRING PIN	142	221660-7	1	GEAR	
54	163130-9	1	LOCK LEVER	143	221657-6	1	GEAR	
55	911104-2	1	SCREW	144	256093-7	1	PIN 4	M4x6
56	341505-4	1	INDICATOR	145	256092-9	1	PIN 4	
57	921531-5	4	BOLT	146	253180-3	1	WASHER 10	M10x20
58	311448-4	1	COLUMN SUPPORTER	147	256092-9	1	PIN 4	
59	921571-3	4	BOLT	148	253180-3	1	WASHER 10	M10x50
60	253134-0	4	WASHER 11	149	221659-2	1	GEAR	
61	321132-3	1	SCREW	150	251984-7	8	SCREW	M20
62	254001-2	1	WOODRUFF KEY 4	151	321205-2	4	METAL HOLDER	
63	221317-0	1	GEAR	152	214251-1	4	PLANE BEARING 17	
64	253311-4	1	WASHER 10	153	*	3	COMPRESSION SPRING	
65	911226-8	3	P.H. SCREW	154	162096-0	2	ROLLER	M5x18
66	951116-3	1	SPRING PIN	155	256093-7	2	PIN 4	
67	341499-3	1	SCREW HOLDER	156	221513-0	2	SPROCKET	
68	253311-4	1	WASHER 10	157	257065-5	2	RING 10	
69	253314-8	1	WASHER 15	158	942251-8	2	WASHER 10	
70	911226-8	4	P.H. SCREW	159	931503-2	2	NUT	M10
71	341500-4	1	HANDLE SUPPORTER	160	225511-6	1	CHAIN	
72	951116-3	1	SPRING PIN	161	253180-3	1	WASHER 10	
73	271025-3	1	HANDLE	162	221656-8	1	GEAR	
74	271607-1	1	KNOB	163	256092-9	1	PIN 4	
75	911201-4	1	SCREW	164	155373-7	1	ADJUST BED	M5x8
76	321133-1	1	HANDLE SHAFT	165	152152-4	1	FRAME	
77	254001-2	1	WOODRUFF KEY 4	200	253191-8	1	WASHER 5	
78	961055-9	1	RETAINING RING	201	231225-7	1	COMP. SPRING	S-15
79	221317-0	1	GEAR	202	253191-8	1	WASHER 5	
80	961055-9	1	RETAINING RING	400	934301-3	2	W. NUT M6	M6
81	911261-6	1	P.H. SCREW	401	341009-6	1	PRESSURE PLATE	
82	911271-3	1	P.H. SCREW	402	312846-5	1	SHARPENING HOLDER	M5x40
83	341509-6	1	CHAIN COVER	403	251920-3	2	C.S.N. BOLT	M5x50
84	257556-6	1	SLEEVE 6	404	155193-9	1	LEVELLER	
85	911241-2	1	SCREW	405	782203-5	1	SOCKET WRENCH 9	M5x25
86	911201-4	1	SCREW	ACCESSORIES				
87	253011-6	1	WASHER 6	500	731013-7	2	PLANER BLADE	
88	931202-6	3	NUT	500	731203-2	2	CARBIDE PLANER BLADE	
89	911216-1	3	SCREW	501	123006-2	1	SHARPENING HOLDER ASSEMBLY (Assembled Items 400-403)	M5

SERVICE CHANGE

1. Changes on Compression Springs.



Item No.	Description	Type 1	Type 2
117	Comp. Spring	Part #231270-2 A= 1-1/16"	Part #231295-6 A= 1-3/16"
153	Comp. Spring	Part #231262-1 A= 1-3/16"	Part #231296-4 A= 1-3/4"

The above parts are completely interchangeable as a set.