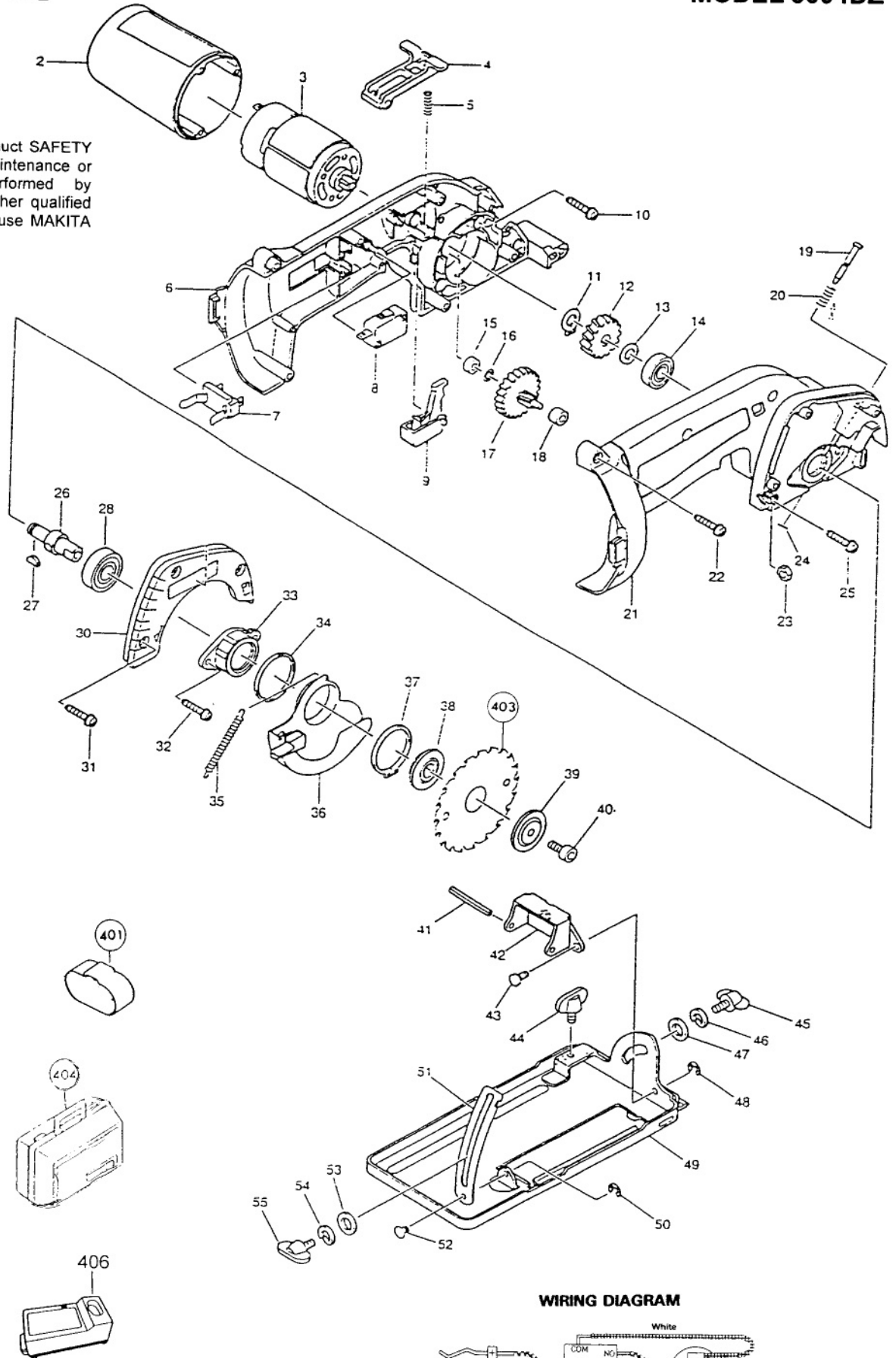




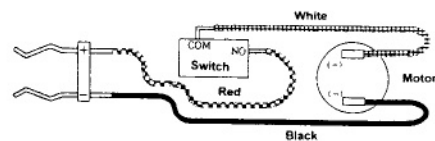
3-3/8" (85MM) CORDLESS CIRCULAR SAW

MODEL 5094D
MODEL 5094DWA
MODEL 5094DZ

IMPORTANT! – To assure product SAFETY and RELIABILITY, repairs, maintenance or adjustments should be performed by MAKITA Service Centers, or other qualified service organizations. Always use MAKITA replacement parts.



WIRING DIAGRAM



| Fig. | Part No. | Qty. Used | Description | Fig. | Part No. | Qty. Used | Description |
|------|----------|-----------|---|--------------------|----------|-----------|---|
| 2 | 416142-4 | 1 | MOTOR HOUSING | 34 | 267134-4 | 1 | FLAT WASHER 30 |
| 3 | 629737-6 | 1 | DC MOTOR (Incl. 1 ea. Spur Gear 15, 221882-9) | 35 | 231802-5 | 1 | TENSION SPRING |
| 4 | 415680-3 | 1 | LOCK OFF LEVER | 36 | 165116-9 | 1 | SAFETY COVER |
| 5 | 233024-3 | 1 | COMPRESSION SPRING 4 | 37 | 961128-8 | 1 | RETAINING RING S-28 |
| 6 | 183102-8 | 1 | HOUSING SET (Incl. Fig. 21) | 38 | 224324-2 | 1 | INNER FLANGE 28 |
| 7 | 643909-9 | 1 | BATTERY HOLDER | 39 | 224177-9 | 1 | OUTER FLANGE 28 |
| 8 | 651891-8 | 1 | SWITCH V-15-3A6 SINGLE | 40 | 922212-4 | 1 | H. S. HEAD BOLT M5X12 |
| 9 | 415679-8 | 1 | SWITCH LEVER | 41 | 951134-1 | 1 | SPRING PIN 4-45 |
| 10 | 265995-6 | 3 | TAPPING SCREW 4X18 | 42 | 344594-8 | 1 | ANGULAR GUIDE |
| 11 | 961004-6 | 1 | RETAINING RING S-8 | 43 | 268028-6 | 1 | PIN 5 |
| 12 | 226448-0 | 1 | HELICAL GEAR 33 | 44 | 251899-8 | 1 | SCREW M5X10 |
| 13 | 253215-0 | 1 | FLAT WASHER 8 | 45 | 251899-8 | 1 | SCREW M5X10 |
| 14 | 211033-2 | 1 | BALL BEARING 608LB | 46 | 942101-7 | 1 | SPRING WASHER 5 |
| 15 | 214019-5 | 1 | PLANE BEARING 4 | 47 | 941101-4 | 1 | FLAT WASHER 5 |
| 16 | 253307-5 | 1 | THIN WASHER 4 | 48 | 961017-7 | 1 | STOP RING E-3 |
| 17 | 226819-1 | 1 | GEAR COMPLETE 8-68 | 49 | 168317-8 | 1 | BASE |
| 18 | 214027-6 | 1 | PLANE BEARING 4 | 50 | 961017-7 | 1 | STOP RING E-3 |
| 19 | 268002-4 | 1 | PIN 5 | 51 | 344592-2 | 1 | DEPTH GUIDE |
| 20 | 231240-1 | 1 | COMPRESSION SPRING 7 | 52 | 268004-0 | 1 | PIN 4 |
| 21 | 183102-8 | 1 | HOUSING SET (INCL. FIG. 6) | 53 | 941101-4 | 1 | FLAT WASHER 5 |
| 22 | 265995-6 | 4 | TAPPING SCREW 4X18 | 54 | 942101-7 | 1 | SPRING WASHER 5 |
| 23 | 931202-6 | 1 | HEX. NUT M5 | 55 | 251899-8 | 1 | SCREW M5X10 |
| 24 | 961011-9 | 1 | STOP RING E-4 | <u>ACCESSORIES</u> | | | |
| 25 | 265995-6 | 1 | TAPPING SCREW 4X18 | 400 | 783202-0 | 1 | HEX. WRENCH 4 |
| 26 | 322810-8 | 1 | SPINDLE | 401 | 414938-7 | 1 | BATTERY COVER |
| 27 | 254031-3 | 1 | WOODRUFF KEY 3 | 402 | 164095-8 | 1 | GUIDE RULE |
| 28 | 211061-7 | 1 | BALL BEARING 6000LLB | 403 | 792611-2 | 1 | T.C.T. SAW BLADE 85 |
| 30 | 415678-0 | 1 | BLADE CASE | 404 | 824532-1 | 1 | PLASTIC CARRYING CASE |
| 31 | 265995-6 | 3 | TAPPING SCREW 4X18 | 405 | 192600-1 | 1 | HIGHCAPACITY BATTERY 1422 14.4VDC (2.0AH) |
| 32 | 265995-6 | 2 | TAPPING SCREW 4X18 | 406 | DC1411 | 1 | FAST CHARGER DC1411 |
| 33 | 415677-2 | 1 | BEARING BOX | | | | |

2 MODEL 5094D/DWA/DZ

06-99