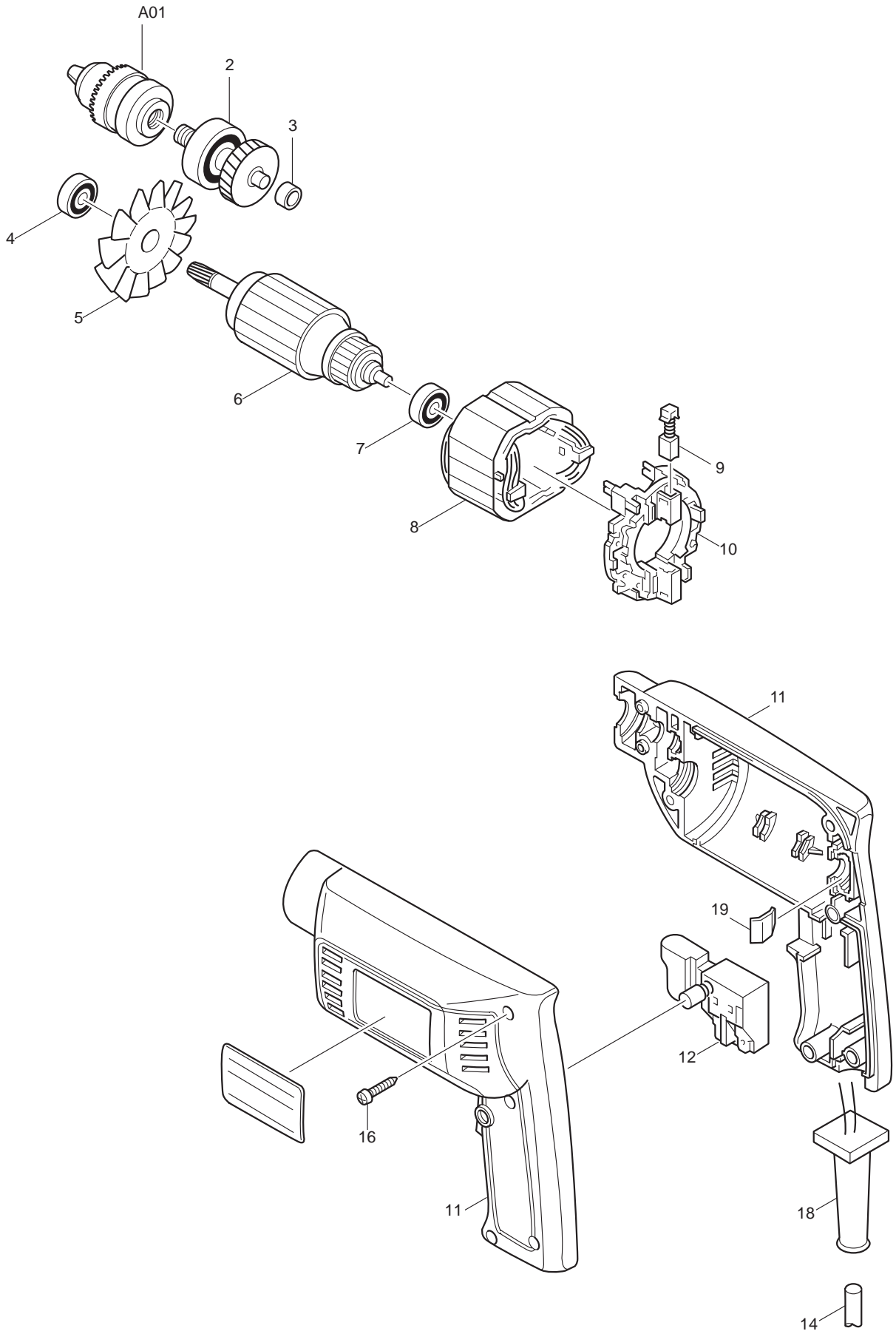




02 - 2010

6501

1/4" HIGH SPEED DRILL



Item No	Type	Ref	Part No	Description	Qty	Unit
2			153178-9	GEAR COMPLETE	1	PC.
3			214017-9	PLANE BEARING 5	1	PC.
4	1		211018-8	BALL BEARING 626LB - N/L/A	1	PC.
	2		211016-2	BALL BEARING 626LLB	1	PC.
5			241508-7	FAN 52	1	PC.
6	1		511676-3	ARMATURE ASS'Y 115V	1	PC.
		INC.		Item No. 4,5,7		
	2		517031-7	ARMATURE ASS'Y 115V	1	PC.
		INC.		Item No. 4,5,7		
7	1		211018-8	BALL BEARING 626LB - N/L/A	1	PC.
	2		211016-2	BALL BEARING 626LLB	1	PC.
8			633031-0	FIELD 115V	1	PC.
9	1		191914-5	CARBON BRUSH CB-70 2PC/SET (W/O ORIGIN)	1	SET
	2		194970-4	CARBON BRUSH CB-70 2PC/SET (W/ ORIGIN)	1	PC.
10			632073-1	TERMINAL BASE COMPLETE 55C	1	PC.
11			183209-0	* HOUSING SET	1	SET
		INC.		Item No. 15		
12	1		651232-8	* SWITCH SGEL206C	1	PC.
	2		651268-7	* SWITCH SGEL206C-2	1	PC.
14	1		664424-0	* CORD W/PLUG 2P-18-2.0,SJT	1	PC.
	2		664002-6	* CORD W/PLUG 2P-18-2.0,SJT	1	PC.
	Opt.		660002-4	* CORD W/PLUG 2P-18-2.0,SJ (Optional)	1	PC.
16			265874-8	TAPPING SCREW BT 4X20	6	PC.
18			682502-4	* CORD GUARD 8-85	1	PC.
19			232100-0	LEAF SPRING	1	PC.
20			265995-6	* TAPPING SCREW 4X18	2	PC.
21			687063-9	* STRAIN RELIEF	1	PC.
22			286224-4	CAP 12	1	PC.
23			343525-4	STOPPER POLE RETAINER	1	PC.
24			924221-9	WING BOLT M5X18	1	PC.
25			411780-7	KEY HOLDER 10	1	PC.
100			652008-6	P.H.SCREW M3.5X7 (with Washer)	4	PC.
101			654037-5	INSULATED EYE TERMINAL FT1.25-M3	4	PC.
102			654069-2	RECEPTACLE	2	PC.
103			683240-1	* POLYETHYLENE TUBE 10X15	1	PC

ACCESSORIES

- See catalogue or visit www.makita.ca for other optional accessories -

A01	1		763077-390A	DRILL CHUCK SET - N/L/A	1	PC.
	2		763077-3	1/4" DRILL CHUCK	1	PC.
A02			763418-3	CHUCK KEY S10	1	PC.
A03			322177-4	DEPTH ROD	1	PC.
	Opt.		191872-5	DEPTH ROD ASSY	1	PC.

SERVICE CHANGES

1. Changes on Handle, Code, Switch etc.

Item No.	Description	Type 1	Type 2
11	Housing Set	182328-9 (N/A)	183209-0
12	Switch	651232-8	651268-7
14	Cord W/Plug	664424-0	664002-6
18	Cord Guard	-----	682502-4
20	Tapping Screw	-----	265995-6
21	Strain Relief	-----	687063-9
103	Tube	-----	683240-1

Above parts are completely interchangeable as a set.

Type 1

Type 2

