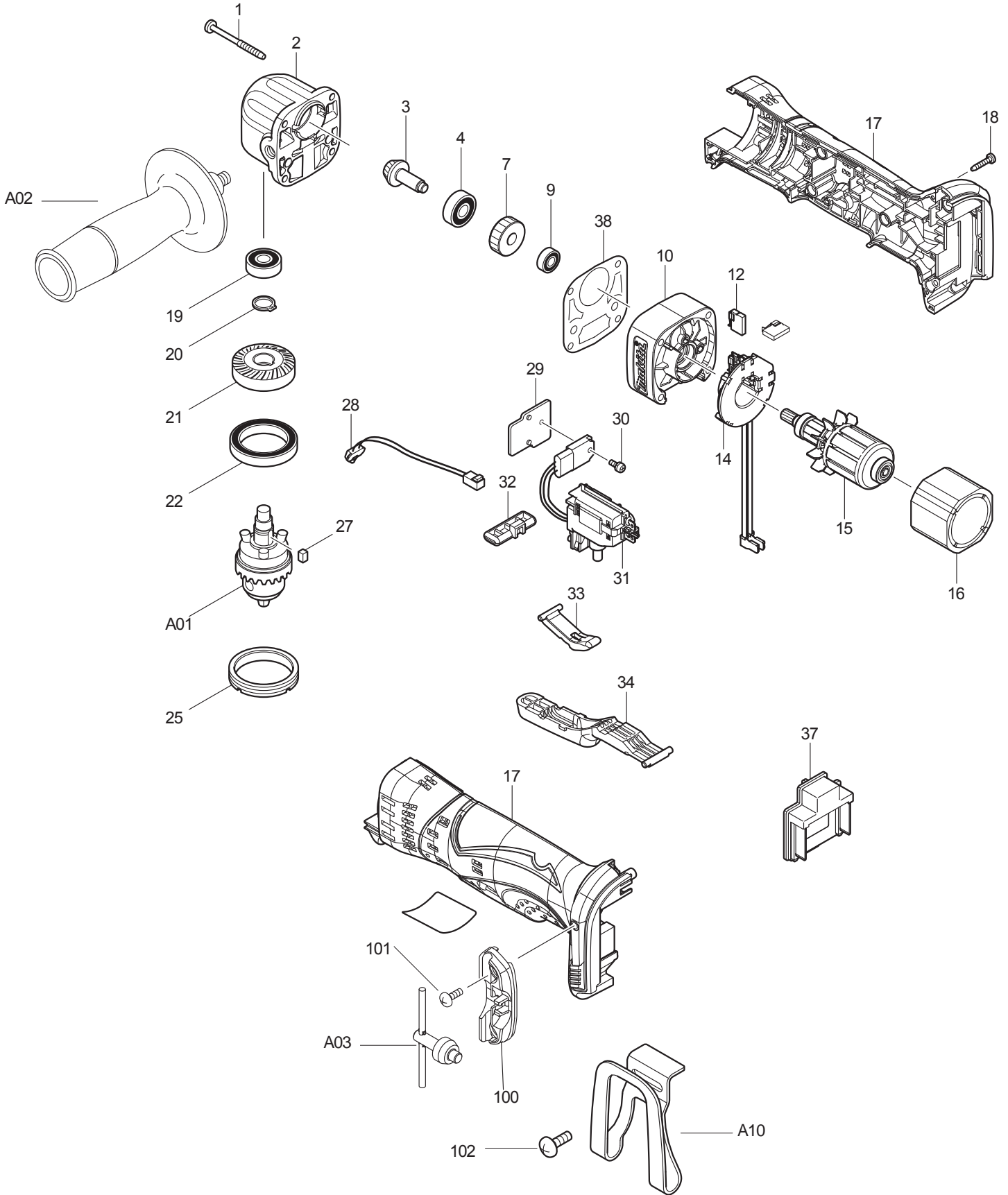




09 - 2011  
BDA350 / BDA350Z / BDA350F  
18V ANGLE DRILL



Item No	Type	Ref	Part No	Description	Qty	Unit
1			266069-6	TAPPING SCREW 4X45	4	PC.
2			317635-3	GEAR HOUSING	1	PC.
3			227436-0	SPIRAL BEVEL GEAR 9	1	PC.
4			210029-0	BALL BEARING 608ZZ	1	PC.
7			227230-0	SPUR GEAR 29	1	PC.
9			210033-9	BALL BEARING 696ZZ	1	PC.
10			450607-6	GEAR HOUSING COVER	1	PC.
12	1		194427-5	CARBON BRUSH CB-440 2PC/SET (W/O ORIGIN)	1	SET
	2		195021-6	CARBON BRUSH CB-440 2PC/SET, W/ ORIGIN	1	SET
14	1		638615-9	BRUSH HOLDER COMPLETE	1	PC.
	2		539189-2	BRUSH HOLDER ASSY	1	PC.
		INC.		Item No. 12		
15			619234-0	ARMATURE	1	PC.
16			638613-3	YOKE UNIT	1	PC.
17	1		188532-8	* HOUSING SET	1	SET
	2		187130-5	* HOUSING SET	1	SET
18			266130-9	TAPPING SCREW BIND PT 3X16	5	PC.
19			210029-0	BALL BEARING 608ZZ	1	PC.
20			961052-5	RETAINING RING S-12	1	PC.
21			227536-6	SPIRAL BEVEL GEAR 26	1	PC.
22			211423-9	BALL BEARING 6806DDW	1	PC.
25			285842-5	BEARING RETAINER 36-43	1	PC.
27			254201-4	KEY 4	1	PC.
28			631814-2	LED CIRCUIT	1	PC.
29			689098-6	HEAT SINK	1	PC.
30			911006-2	PAN HEAD SCREW M3X8	1	PC.
31	1		650606-0	* SWITCH C3HZ-1A-TPLM	1	PC.
	2		638881-8	* SWITCH UNIT	1	PC.
	3		632B91-1	* SWITCH UNIT	1	PC.
32			450610-7	F/R CHANGE LEVER	1	PC.
33			450609-2	LINK	1	PC.
34			450608-4	SWITCH LEVER	1	PC.
37	1		643812-4	* TERMINAL, BLACK	1	PC.
	2		643859-8	* TERMINAL	1	PC.
	3		644808-8	* INSULATOR COMPLETE	1	PC.
38			418036-9	GASKET	1	PC.
100			450688-0	KEY HOLDER	1	PC.
101			251314-2	+ SCREW M4X12 (FOR KEY HOLDER)	1	PC.
102			251314-2	+ SCREW M4X12 (FOR HOOK, BIT HOLDER)	1	PC.
<b>ACCESSORIES</b>			<b>- See Catalogue or visit <a href="http://www.makita.ca">www.makita.ca</a> for more accessories information</b>			
A01			763174-5	DRILL CHUCK S10	1	PC.
A02			153489-2	GRIP 36 COMPLETE	1	PC.
A03			763415-9	CHUCK KEY S10	1	PC.
A04	1		DC18RA	CHARGER DC18RA	1	PC.
	2		DC18RC	CHARGER DC18RC	1	PC.
A05			194205-3	18V LI-ION BATTERY BL1830	2	PC.
			194230-4	18V LI-ION BATTERY BL1830, 2/PK	1	PK.
			194288-3	18V LI-ION BATTERY BL1830, 10/PK	1	PK.
A06			450128-8	BATTERY COVER	1	PC.
A07	1		824851-5	PLASTIC CARRYING CASE	1	PC.
		INC.	163455-1	LATCH	2	PC.
		INC.	419360-3	HANDLE	1	PC.
	2		141358-9	PLASTIC CARRYING CASE	1	PC.
		INC.	163455-1	LATCH	2	PC.
		INC.	419360-3	HANDLE	1	PC.
A08			194649-7	BATTERY PROTECTOR(F/BL1430, BL1830)	1	PC.
A09	1		419276-2	BIT HOLDER	1	PC.
	2		452947-8	BIT HOLDER	1	PC.
A10	1		324705-1	HOOK F/ BL1430, BL1830	1	PC.
	2		346449-3	HOOK F/ BL1430, BL1830	1	PC.

**SERVICE CHANGES**

**1. Changes on Switch, Terminal, and Housing Set (Battery Protection Circuit)**

(T/I# 91094)

(T/I# A0105, A1290)

Item No.	Description	Type 1	Type 2	Type 3
17	HOUSING SET	188534-4		187129-0
31	SWITCH	650606-0	638881-8	632B91-1
37	TERMINAL >INSULATOR	643811-6	643859-8	644808-8

Above parts are completely interchangeable as a set.

**Service Note:**

- Use new parts for repair of the model manufactured on or after June 2011 with using Yellow lead wire between Switch and Terminal.
- Use current parts for repair of the model manufactured before June 2011 without using Yellow lead wire between Switch and Terminal.

**\* See *Technical Information No. 91094* for Wiring changes.**