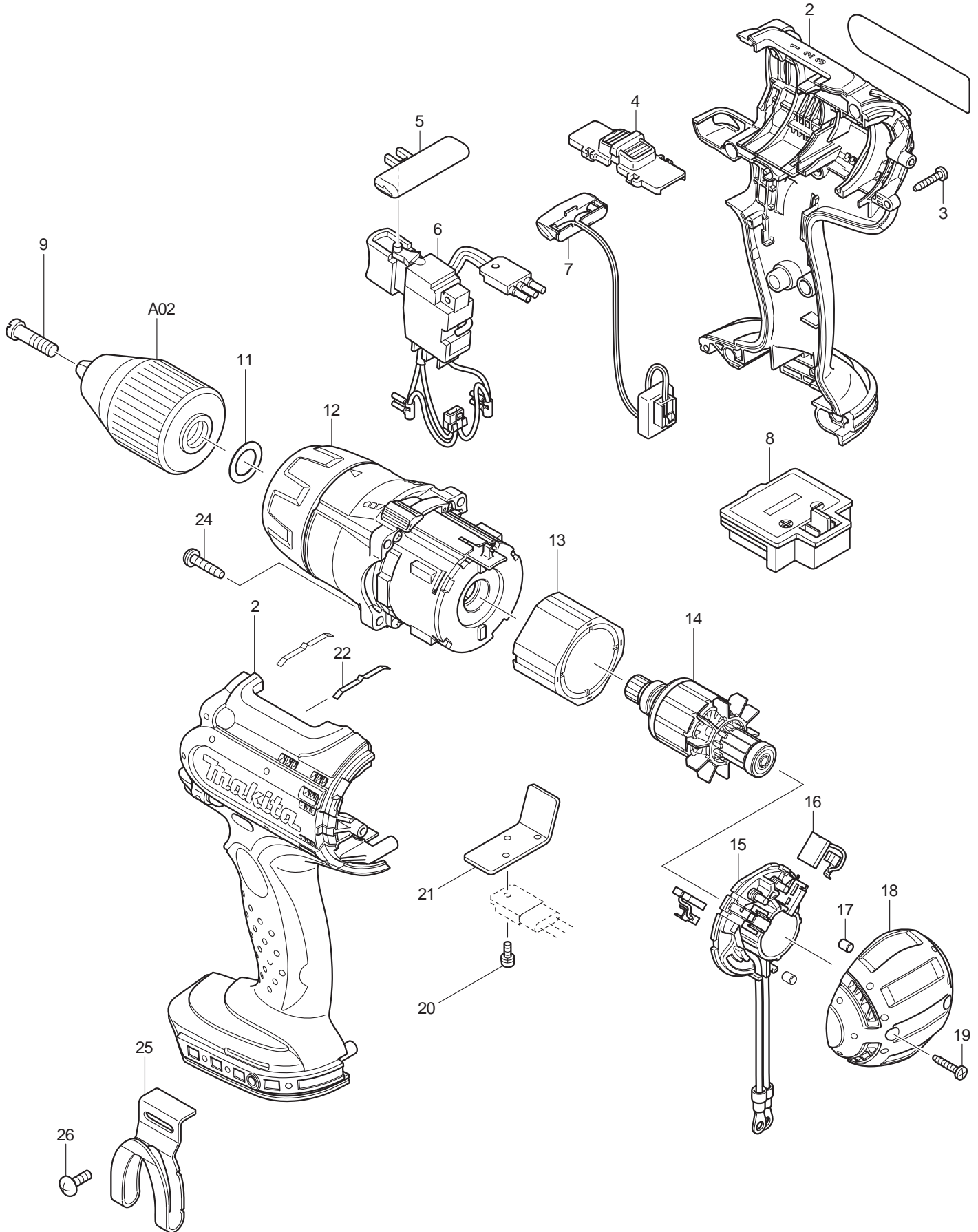




08 - 2008
BDF451 / BDF451Z
18V 1/2" DRIVER DRILL



| Item No | Type | Ref | Part No | Description (*See Service Change) | Qty | Unit |
|---------|------|------|----------|---|-----|------|
| 2 | 1 | | 188031-0 | * HOUSING SET (TYPE 1-2) | 1 | SET |
| | 3 | | 187142-8 | * HOUSING SET (TYPE 3) | 1 | SET |
| 3 | | | 266130-9 | TAPPING SCREW BIND PT 3X16 | 8 | PC. |
| 4 | 1 | | 125316-3 | * SPEED CHANGE LEVER ASS'Y -N/L/A | 1 | PC. |
| | | INC. | 233438-6 | * COMPRESSION SPRING 4 | 2 | PC. |
| | 2 | | 125435-5 | * SPEED CHANGE LEVER ASS'Y | 1 | PC. |
| | | INC. | 233438-6 | * COMPRESSION SPRING 4 | 2 | PC. |
| 5 | | | 419250-0 | F/R CHANGE LEVER | 1 | PC. |
| 6 | 1 | | 650573-9 | * SWITCH TG553FSB-4 (TYPE 1-2) | 1 | PC. |
| | 3 | | 650653-1 | * SWITCH TG553FSB-4B (TYPE 3) | 1 | PC. |
| 7 | | | 631692-0 | LIGHT CIRCUIT | 1 | PC. |
| 8 | 1 | | 643812-4 | * TERMINAL, BLACK | 1 | PC. |
| | 2 | | 643838-6 | * TERMINAL | 1 | PC. |
| | 3 | | 643859-8 | * TERMINAL | 1 | PC. |
| | 4 | | 644808-8 | * TERMINAL | 1 | PC. |
| 9 | | | 251468-5 | - FLAT HEAD SCREW M6X22 | 1 | PC. |
| 11 | | | 253798-0 | FLAT WASHER 13 | 1 | PC. |
| 12 | 1 | | 125318-9 | * GEAR ASS'Y - N/L/A | 1 | PC. |
| | | INC. | 418763-8 | * SPEED CHANGE RING- N/L/A | 1 | PC. |
| | | INC. | 268088-8 | * PIN 1.2 | 2 | PC. |
| | 2 | | 125433-9 | * GEAR ASS'Y | 1 | PC. |
| | | INC. | 419558-2 | * SPEED CHANGE RING | 1 | PC. |
| | | INC. | 268199-9 | * PIN 1.4 | 1 | PC. |
| 13 | | | 638425-4 | YOKE UNIT | 1 | PC. |
| 14 | | | 619165-3 | ARMATURE | 1 | PC. |
| 15 | | | 638431-9 | BRUSH HOLDER COMPLETE | 1 | PC. |
| 16 | 1 | | 194159-4 | CARBON BRUSH CB-436 2PC/SET, W/O ORIGIN | 1 | PC. |
| | 2 | | 194427-5 | CARBON BRUSH CB-440 2PC/SET, W/O ORIGIN | 1 | SET |
| | 3 | | 195021-6 | CARBON BRUSH CB-440 2PC/SET, W/ ORIGIN | 1 | SET |
| 17 | | | 263032-0 | RUBBER PIN 4 | 2 | PC. |
| 18 | 2 | | 419642-3 | REAR COVER | 1 | PC. |
| 19 | | | 266130-9 | TAPPING SCREW BIND PT 3X16 | 2 | PC. |
| 20 | | | 911006-2 | PAN HEAD SCREW M3X8 | 1 | PC. |
| 21 | | | 689145-3 | HEATSINK | 1 | PC. |
| 22 | | | 232220-0 | LEAF SPRING | 2 | PC. |
| 24 | | | 266045-0 | TAPPING SCREW 4X20 | 4 | PC. |
| 25 | 2 | | 324705-1 | * HOOK F/ BL1430, BL1830 | 1 | PC. |
| | 3 | | 346449-3 | * HOOK F/ BL1430, BL1830 | 1 | PC. |
| 26 | | | 251314-2 | + SCREW M4X12 (F/HOOK) | 1 | PC. |
| 200 | | | 652045-0 | (+) PAN HEAD SCREW M3.5X5(F/SWITCH) | 2 | PC. |

ACCESSPROES

- See catalogue or visit www.makita.ca for more optional accessories -

| | | | | | | |
|-----|---|------|----------|--------------------------|---|-----|
| A01 | | | 122749-3 | GRIP ASS'Y | 1 | PC. |
| | | INC. | 154835-2 | GRIP36 COMPLETE | 1 | PC. |
| | | INC. | 266349-0 | SQUARE BOLT M8X50 | 1 | PC. |
| | | INC. | 345463-6 | GRIP SPRING 60 | 1 | PC. |
| | | INC. | 418768-8 | GRIP BASE | 1 | PC. |
| A02 | | | 763191-5 | 1/2" KEYLESS DRILL CHUCK | 1 | PC. |
| A03 | 1 | | 419276-2 | BIT HOLDER | 1 | PC. |
| | 2 | | 452947-8 | BIT HOLDER | 1 | PC. |

| Item No | Type | Ref | Part No | Description (*See Service Change) | Qty | Unit | | |
|---------|-------|------|-----------|--|-----------|--|---|-----|
| A04 | 1 | | DC18RA | CHARGER DC18RA | 1 | PC. | | |
| | | | DC18RC | CHARGER DC18RC | 1 | PC. | | |
| | | | DC18SD | CHARGER DC18SD | 1 | PC. | | |
| | | | DC18SE | 12V AUTOMOTIVE CHARGER DC18SE | 1 | PC. | | |
| | | | DC24SC | CHARGER F/7.2-24V, 1.3-3.3AH BATTERY | 1 | PC. | | |
| | | | DC18RAKIT | CHARGER & BATTERY KIT (DC18RA+BL1830) | 1 | SET | | |
| A05 | | | 194205-3 | 18V LI-ION BATTERY BL1830 | 2 | PC. | | |
| | | | 194230-4 | 18V LI-ION BATTERY BL1830(3.0AH) 2/PK | 1 | SET | | |
| | | | 194288-3 | 18V LI-ION BATTERY BL1830(3.0AH) 10/PK | 1 | SET | | |
| A06 | | | 784637-8 | + - BIT 2-45 | 2 | PC. | | |
| A07 | 1 | | 824754-3 | PLASTIC CARRYING CASE (W/O SPONGE) | 1 | PC. | | |
| | | INC. | 419216-0 | HANDLE | 1 | PC. | | |
| | | INC. | 417724-5 | LATCH | 2 | PC. | | |
| | | INC. | 419268-1A | PLASTIC CASE LID, TAB TYPE (HOOK TYPE - N/L/A) | 1 | PC. | | |
| | | INC. | 419269-9 | PLATE | 5 | PC. | | |
| | | INC. | 324667-3 | SHAFT | 1 | PC. | | |
| | | 2 | | | 140354-4 | PLASTIC CARRYING CASE (W/SPONGE) | 1 | PC. |
| | | | INC. | | 419216-0 | HANDLE | 1 | PC. |
| | | | INC. | | 417724-5 | LATCH | 2 | PC. |
| | | | INC. | | 419268-1A | PLASTIC CASE LID, TAB TYPE (HOOK TYPE - N/L/A) | 1 | PC. |
| | | | INC. | | 419269-9 | PLATE | 5 | PC. |
| | | | INC. | | 324667-3 | SHAFT | 1 | PC. |
| | | | INC. | | 163455-1 | METAL LATCH | 2 | PC. |
| A07 | Opt.1 | | 824812-5 | PLACTIC CARRYING CASE (BLOW MOLD) | 1 | PC. | | |
| | Opt.2 | | 142146-7 | PLACTIC CARRYING CASE (BLOW MOLD) | 1 | PC. | | |
| A08 | | | 450128-8 | BATTERY COVER | 1 | PC. | | |
| A09 | | | 194649-7 | BATTERY PROTECTOR (F/ BL1430, BL1830) | 1 | PC. | | |

SERVICE CHANGES

1. Changes on Speed Change Lever Assy and Gear Assy

| Item No. | Description | Type 1 | Type 2 |
|----------|-------------------------|----------|----------|
| 4 | Speed Change Lever Assy | 125316-3 | 125435-5 |
| 12 | Gear Assy | 125318-9 | 125433-9 |

Above parts are completely interchangeable as a set.

2. Changes on Switch, Terminal, and Housing Set (Battery Protection Circuit)

(T/I# 84907) (T/I# 91055) (T/I# A0105)

| Item No. | Description | Type 1 | Type 2 | Type 3 | Type 3 |
|----------|-------------|----------|----------|----------|----------|
| 2 | HOUSING SET | | 188031-0 | | 187142-8 |
| 6 | SWITCH | | 650573-9 | | 650653-1 |
| 8 | TERMINAL | 643812-4 | 643838-6 | 643859-8 | 644808-8 |

Above parts are completely interchangeable as a set.

Service Note:

- Use new parts for repair of the model manufactured on or after May 2011 with using Yellow lead wire between Switch and Terminal.
- Use current parts for repair of the model manufactured before May 2011 without using Yellow lead wire between Switch and Terminal.

* See *Technical Information No. 91094 for Wiring changes.*

3. Changes on Hook

(T/I# 98407)

| Item No. | Description | Type 2 | Type 3 |
|----------|-------------|----------|----------|
| 25 | HOOK | 324705-1 | 346449-3 |

Width has been changed wide size to narrow size

