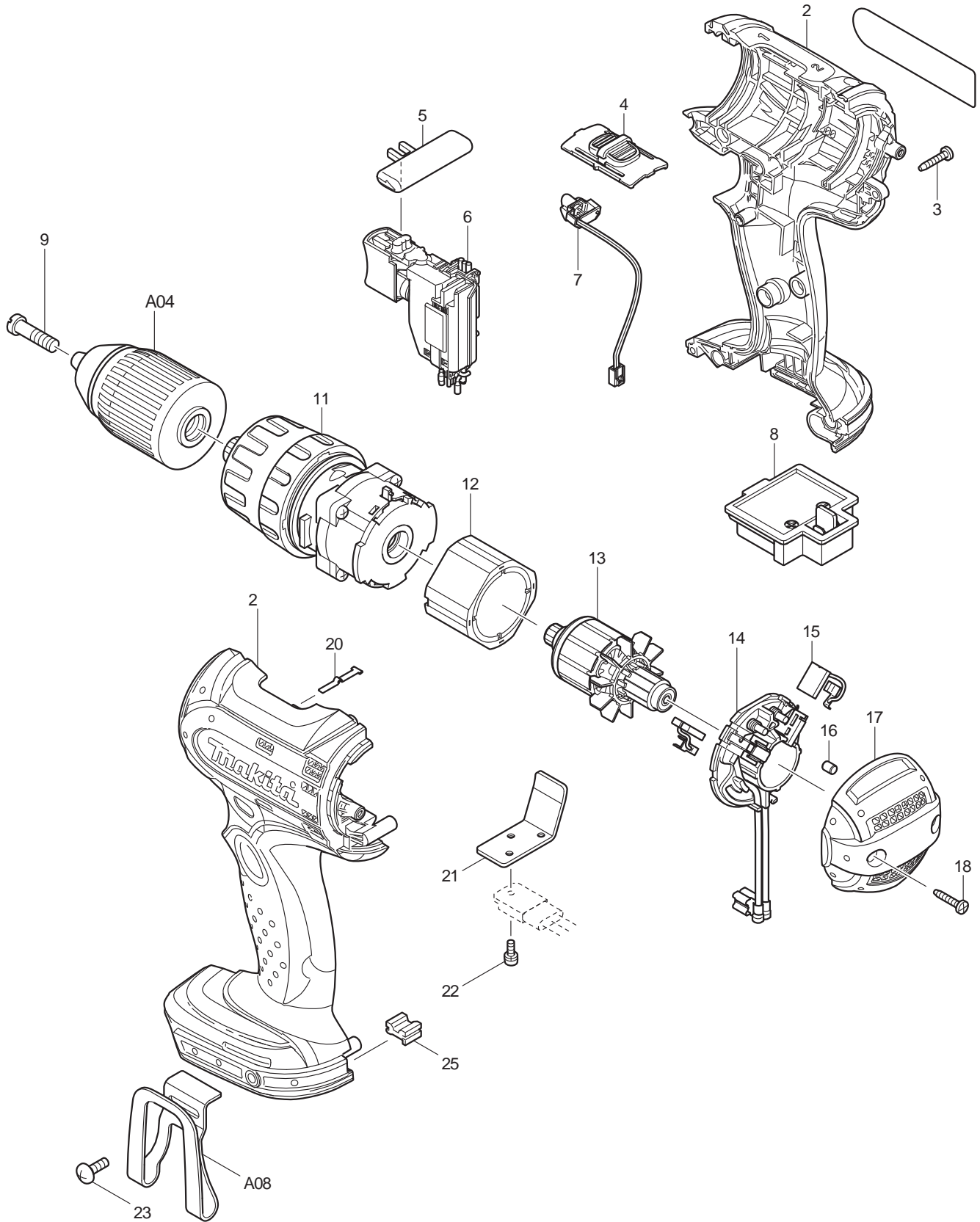




07 - 2008  
BDF452 (3.0AH) BLUE  
BDF452H (1.5AH) BLUE  
BDF452HW (1.5AH) WHITE  
18V - 1/2" DRIVER DRILL



Item No	Type	Ref	Part No	Description	Qty	Unit
2	1		188307-5	HOUSING SET(BLUE) - N/L/A	1	SET
	2		188238-8	HOUSING SET(BLUE)	1	SET
			188187-9	HOUSING SET(WHITE)	1	SET
3			266130-9	TAPPING SCREW BIND PT 3X16	9	PC.
4			125366-8	SPEED CHANGE LEVER ASSY	1	PC.
		INC.	233438-6	COMPRESSION SPRING 4	2	PC.
5			419250-0	F/R CHANGE LEVER	1	PC.
6			650583-6	SWITCH	1	PC.
7			631735-8	LED CIRCUIT	1	PC.
8	1		643812-4	TERMINAL (BLACK)	1	PC.
	2		643844-1	TERMINAL (YELLOW)	1	PC.
9	1		251472-4	- FLAT HEAD SCREW M6X26 (F/ KEYLESS DRILL CHUCK #763193-1)	1	PC.
	2		251468-5	- FLAT HEAD SCREW M6X26 (F/ KEYLESS DRILL CHUCK #766008-1)	1	PC.
11			125348-0	GEAR ASSY	1	PC.
12			638425-4	YOKE UNIT	1	PC.
13			619198-8	ARMATURE	1	PC.
14			638494-5	BRUSH HOLDER COMPLETE	1	PC.
15	2		194427-5	CARBON BRUSH CB-440 2PC/SET (W/O ORIGIN)	1	SET
	3		195021-6	CARBON BRUSH CB-440 2PC/SET (W/ ORIGIN)	1	SET
16			263032-0	RUBBER PIN 4	2	PC.
17			419693-6	REAR COVER (BLUE)	1	PC.
			419601-7	REAR COVER (WHITE)	1	PC.
18			266130-9	TAPPING SCREW BIND PT 3X16	2	PC.
20			232182-2	LEAF SPRING	1	PC.
21			689150-0	HEAT SINK	1	PC.
22			911006-2	P. H. SCREW M3X8	1	PC.
23			251314-2	+ SCREW M4X12 (F/HOOK)	1	PC.
25			424026-2	CUSHION	1	PC.
E01			810292-1	CAUTION LABEL (Added)	1	PC.

#### ACCESSORIES

A01			DC18RA	FIRST CHARGER DC18RA	1	PC.
			DC18RAKIT	CHARGER DC18RA + BATTERY BL1830	1	SET
			DC18SD	DC18SD BATTERY CHARGER F/BL1815	1	PC.
			DC18SE	12V AUTOMOTIVE CHARGER DC18SE	1	PC.
			DC24SA	CHARGER F/7.2-24V, 1.3-3.3AH - N/L/A	1	PC.
			DC24SC	CHARGER F/7.2-24V, 1.3-3.3AH	1	PC.
A02			784637-8	+/- BIT 2-45	1	PC.
A03	Opt.		824812-5	PLASTIC CARRYING CASE (BLOW MOLD)	1	PC.
		INC.	163455-1	METAL LATCH	2	PC.
A03			824774-7	PLASTIC CARRYING CASE	1	PC.
		INC.	324679-6	SHAFT	1	PC.
		INC.	417724-5	LATCH	2	PC.
		INC.	419216-0	HANDLE	1	PC.
A04	1		763193-1	1/2" KEYLESS DRILL CHUCK (Use with Item No. 9, TYPE1)	1	PC.
	2		766008-1	1/2" KEYLESS DRILL CHUCK (Use with Item No. 9, TYPE2)	1	PC.
A05			194205-3	18V LI-ION BATTERY BL1830(3.0AH)	2	PC.
			194230-4	18V LI-ION BATTERY BL1830 (2PCS/PK)	1	PK
			194309-1	18V LI-ION BATTERY BL1815	2	PC.
			194428-3	18V LI-ION BATTERY BL1815 (2PCS/PK)	1	PK
A06	1		419276-2	BIT HOLDER	1	PC.
	2		452947-8	BIT HOLDER	1	PC.
A07			450128-8	BATTERY COVER	1	PC.
A08			324705-1	HOOK (F/BL1830)	1	PC.
			346034-2	HOOK (F/BL1815)	1	PC.
A09			194649-7	BATTERY PROTECTOR (F/BL1830)	1	PC.