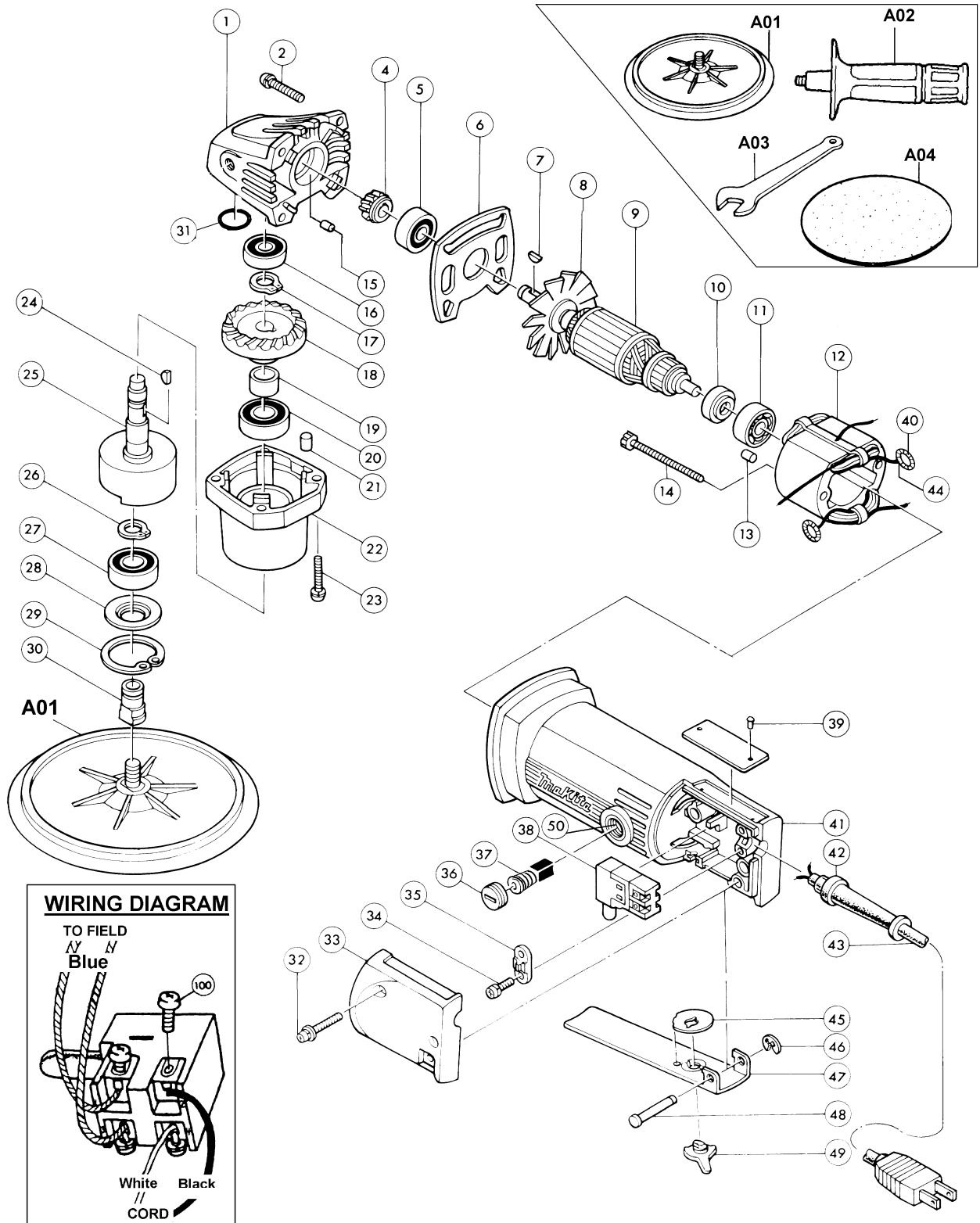




6" DUAL ACTION SANDER

Model BO6010

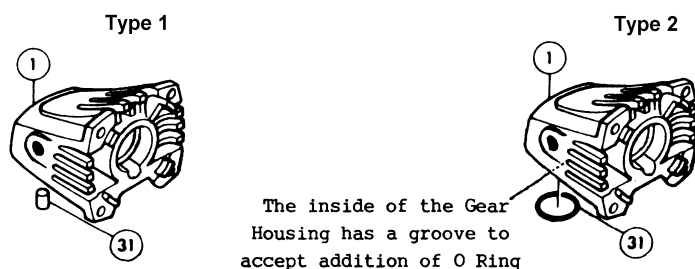


Item No.	Part No.	No. Used	Description	Item No.	Part No.	No. Used	Description
1	315290-5	1	Gear Housing (With Items 15 & 31) *	32	911158-9	2	P.H. Screw M4X30
2	911141-6	4	P.H. Screw M4X22	33	411827-7	1	Switch Cover
4	221306-5	1	Spiral Bevel Gear 14	34	911131-9	2	P.H. Screw M4X18 (With Washer)
5	211056-0	1	Ball Bearing 629LLB	35	687002-9	1	Strain Relief
6	341678-3	1	Plate	36	643550-8	2	Brush Holder Cap 5-8
7	254002-0	1	Woodruff Key 3	37	191947-0	2	Carbon Brush CB-76 (Old 181023-8 - CB-52)
8	241101-7	1	Fan 58		181501-8	2	Auto Cut-Off Carbon Brush CB-61 (Optional)
9	611436-4	1	Armature Assy (Includes Items 8, 10 & 11)	38	651821-9	1	Switch (Old 651817-0)
10	681614-0	1	Insulation Washer	39	953106-2	2	Rivet 0-5
11	211028-5	1	Ball Bearing 627LB	40	654018-9	2	Garter Spring
12	621421-9	1	Field Assy (With Items 40 & 44)	41	*	1	Motor Housing (With Items 13 & 50)
13	263002-9	1	Rubber Pin 4	42	682500-8	1	Cord Guard 8.5-72
14	*	2	Tapping Screw	43	664013-1	1	Cord With Plug 2P-18-2.5
15	263002-9	1	Rubber Pin 4	44	654501-6	2	Solderless Connector P-1.25
16	260025-8	1	Ball Bearing 627LLB (Old 211026-9)	45	232062-2	1	Leaf Spring
17	961006-2	1	Retaining Ring S-10	46	961017-7	1	Stop Ring E-3
18	221305-7	1	Spiral Bevel Gear 38	47	341651-3	1	Switch Lever Assy (Includes Items 45 & 49)
19	257567-1	1	Sleeve 12	48	256626-8	1	Pin 4
20	211106-1	1	Ball Bearing 6201LLB	49	411784-9	1	Safety Lock
21	263005-3	1	Rubber Pin 6	50	643557-4	2	Brush Holder 5-8
22	315291-3	1	Bearing Box (Includes Item 21)	100	911001-2	4	P.H. Screw M3X6 (Old 911002-0)
23	911141-6	4	P.H. Screw M4X22	Accessories			
24	254002-0	1	Woodruff Key 3	A01	743033-9	1	Pad 147
25	321320-2	1	Spindle	A02	152490-4	1	Side Handle 26 (Old 273459-6 & 273485-5)
26	961052-5	1	Retaining Ring S-12 (Type 1) *	A03	781203-2	1	Wrench (For Spindle)
	265879-8	1	Set Bolt M8 (Type 2) *	A04	-----	1	Abrasive Disc (Pressure Sensitive Type) (See Catalogue For Details)
27	211129-9	1	Ball Bearing 6201DDW (Old 211122-3)				
28	341679-1	1	Dust Cover				
29	962151-6	1	Retaining Ring R-32				
30	*	1	Connector				
31	263002-9	1	Rubber Pin 4 (Type 1) *				
	213008-7	1	O Ring 22.4 (Type 2) *				

* SEE SERVICE CHANGES

SERVICE CHANGES

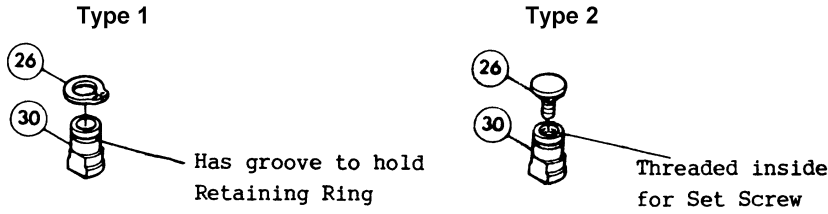
1. Change on Gear Housing.



Item No.	Description	Type 1	Type 2
1	Gar Housing	315290-5	
		With Rubber Pin	With O Ring
31	Rubber Pin / O Ring	263002-9 - Rubber Pin 4	213008-7 - O Ring 22.4

Above parts are completely interchangeable as a set.

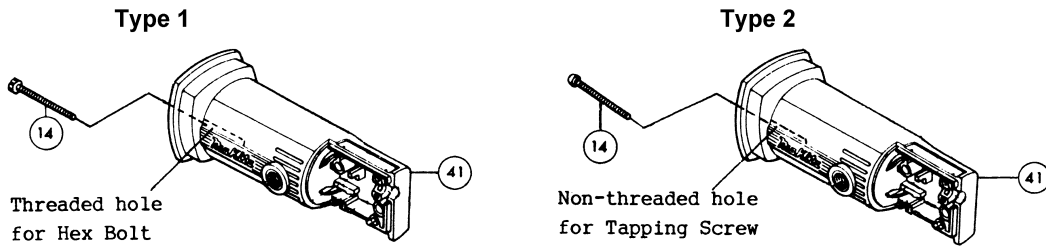
2. Change on Connector.



Item No.	Description	Type 1	Type 2
26	Retaining Ring / Set Bolt	961052-5 - Retaining Ring S-12	265879-8 - Set Bolt M8
30	Connector	321321-0	321919-3
	Serial No.	~ 8299E	8300E ~

Above parts are completely interchangeable as a set.

3. Change on Hex Bolt/Tapping Screw and Motor Housing.



Item No.	Description	Type 1	Type 2
14	(+) Hex Bolt M4X55 / Tapping Screw	925183-4 (+) Hex Bolt M4X55	265891-8 - Tapping Screw M4X55
41	Motor Housing	156766-1	157720-8
	Serial No.	~ 8425E	8426E ~

Above parts are completely interchangeable as a set.