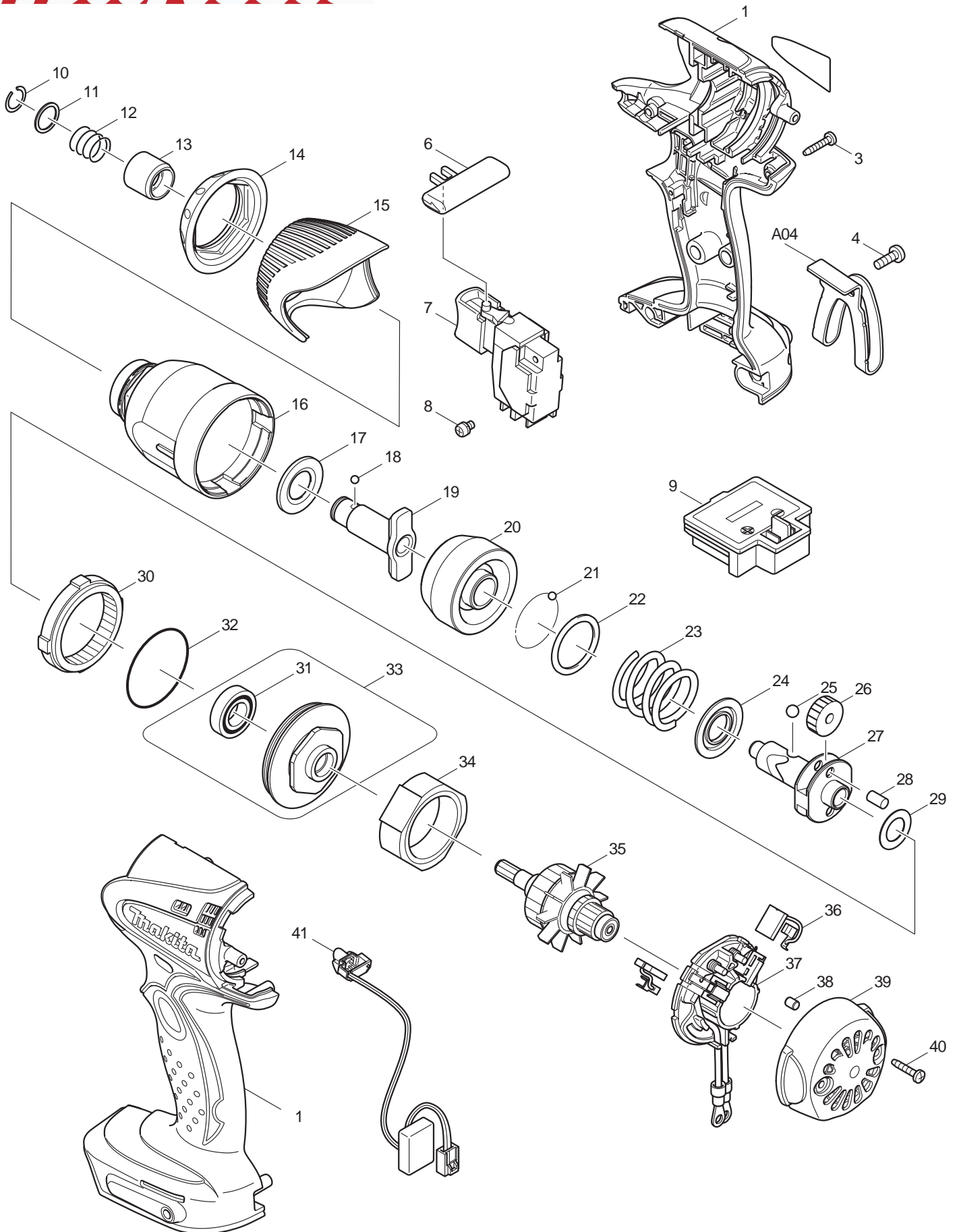




09 - 2008
BTD140, BTD140Z
18V IMPACT DRIVER KIT



Item No.	Part No.	Description	Q'ty	Unit
1	188127-7	HOUSING SET (OLD# 188030-2 - N/L/A)	1	SET
3	266130-9	TAPPING SCREW BIND PT 3X16	8	PC.
4	251314-2	+ SCREW M4X12 (F/HOOK)	1	PC.
6	419041-9	F/R CHANGE LEVER	1	PC.
7	650564-0	SWITCH TG553FSB-1	1	PC.
8	652045-0	+PAN HEAD SCREW M3.5X5	2	PC.
9	643812-4	TERMINAL (TYPE 1)	1	PC.
	643844-1	TERMINAL (TYPE 2)	1	PC.
10	231951-8	RING SPRING 11	1	PC.
11	267085-1	FLAT WASHER 12	1	PC.
12	233005-7	COMPRESSION SPRING 13	1	PC.
13	324420-7	SLEEVE	1	PC.
14	421913-6	BUMPER (TYPE 1)	1	PC.
14	424197-5	BUMPER (TYPE 2)	1	PC.
15	419042-7	HAMMER CASE COVER	1	PC.
16	154590-6	HAMMER CASE COMPLETE	1	PC.
17	261108-7	NYLON WASHER 14	1	PC.
18	216001-0	STEEL BALL 3.5	2	PC.
19	324432-0	ANVIL M	1	PC.
20	324583-9	HAMMER	1	PC.
21	216001-0	STEEL BALL 3.5	24	PC.
22	267175-0	FLAT WASHER 24	1	PC.
23	233430-2	COMPRESSION SPRING 24	1	PC.
24	267766-7	CUP WASHER 14	1	PC.
25	216011-7	STEEL BALL 5.6	2	PC.
26	226336-1	SPUR GEAR 22	2	PC.
27	324552-0	SPINDLE	1	PC.
28	256253-1	PIN 5	2	PC.
29	267212-0	FLAT WASHER 12	1	PC.
30	227150-8	INTERNAL GEAR 51	1	PC.
31	211140-1	BALL BEARING 6901LLB	1	PC.
32	213507-9	O RING 40	1	PC.
33	154769-9	BEARING BOX COMPLETE	1	PC.
	INC.	Item No. 31	1	PC.
34	638396-5	YORK UNIT	1	PC.
35	619172-6	ARMATURE (TYPE1)	1	PC.
	619247-1	ARMATURE (TYPE2)	1	PC.
	619372-8	ARMATURE (TYPE3)	1	PC.
36	194427-5	CARBON BRUSH CB-440, 2PCS/SET (OLD# 194159-4 N/L/A)	1	SET
37	638387-6	BRUSH HOLDER COMPLETE	1	PC.
38	263032-0	RUBBER PIN 4	2	PC.
39	418981-8	REAR COVER	1	PC.
40	266130-9	TAPPING SCREW BIND PT 3X16	2	PC.
41	631693-8	LIGHT CIRCUIT	1	PC.

Item No.	Part No.	Description	Q'ty	Unit
<u>ACCESSORIES</u>				
A01	824753-5	PLASTIC CARRYING CASE	1	PC.
	INC. 324207-7	SHAFT	1	PC.
	INC. 413098-2	PLATE	4	PC.
	INC. 417724-5	LATCH	2	PC.
	INC. 419215-2A	PLASTIC CASE LID, TAB TYPE (HOOK TYPE - N/L/A)	1	PC.
	INC. 419216-0	HANDLE	1	PC.
A02	DC18RA	CHARGER DC18RA	1	PC.
	DC18SD	CHARGER DC18SD	1	PC.
	DC18SE	12V AUTOMOTIVE CHARGER DC18SE	1	PC.
	DC18RAKIT	CHARTER + BATTERY SET (DC18RA + BL1830)	1	SET
A03	194205-3	18V LI-ION BATTERY BL1830 (3.0AH)	1	PC.
	194309-1	18V LI-ION BATTERY BL1815 (1.5AH)	1	PC.
	194230-4	18V LI-ION BATTERY BL1830 (3.0AH), 2/PK	1	SET
	194428-3	18V LI-ION BATTERY BL1815 (1.5AH), 2/PK	1	SET
	194288-3	18V LI_ION BATTERY BL1830 (3.0AH), 10/PK	1	SET
	194604-9	18V LI-ION BATTERY BL1815 (1.5AH), 10/PK	1	SET
A04	324705-1	HOOK (OLD# 324553-8 - N/L/A)	1	PC.
A05	194649-7	BATTERY PROTECTOR (F/BL1430,BL1830)	1	PC.
A06	450128-8	BATTERY COVER (F/LI-ION)	1	PC.

*INC=INCLUDES