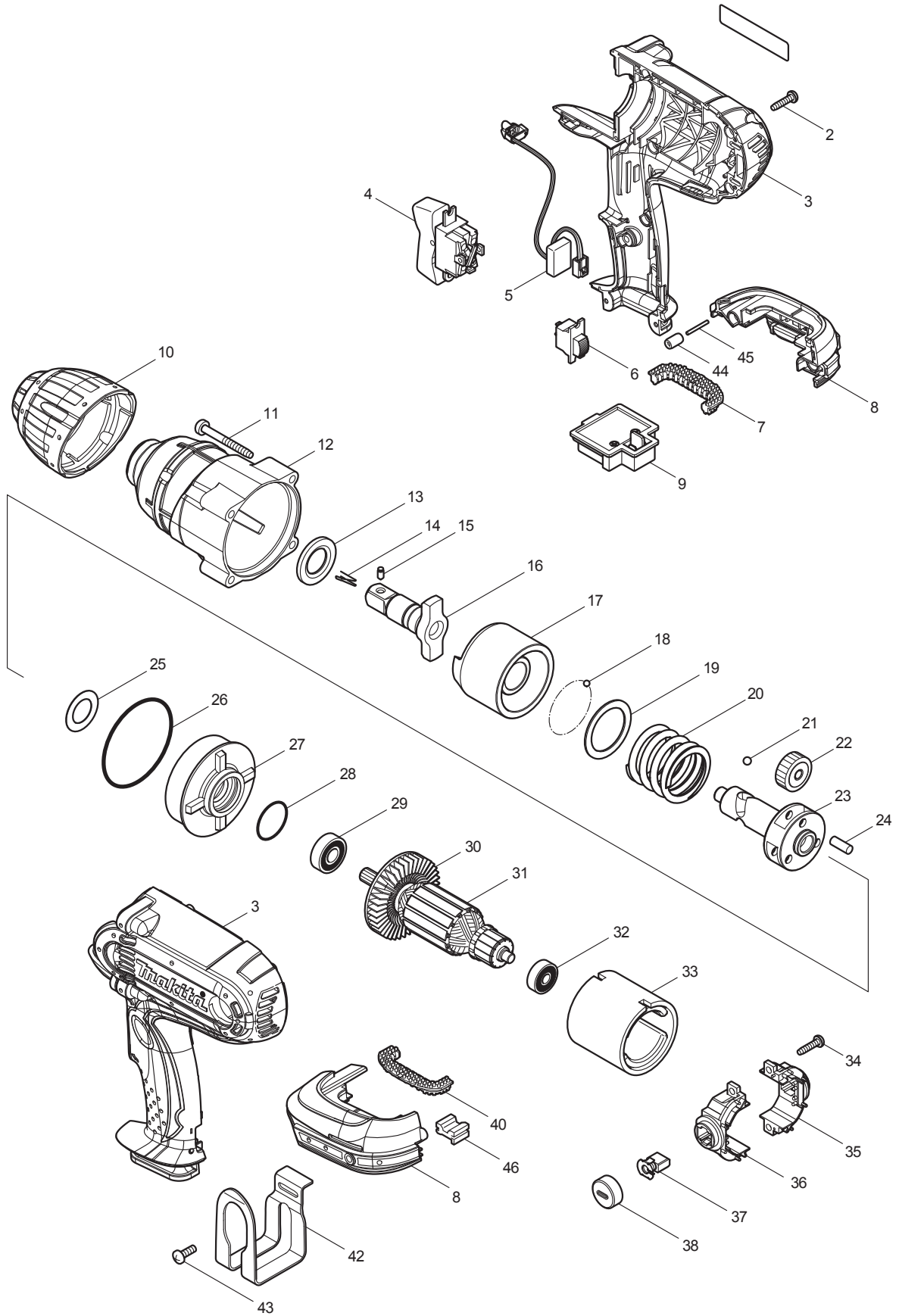




09 - 2011
BTW450 / BTW450Z / BTW450F
18V IMPACT WRENCH (ROUND PIN)



Item No	Type	Ref	Part No	Description	Qty	Unit
2			265995-6	TAPPING SCREW 4X18	9	PC.
3			188433-0	HOUSING SET	1	SET
		INC.	263025-7	RUBBER PIN 4	4	PC.
		INC.	810300-8	CAUTION LABEL	1	PC.
4			651572-4	SWITCH SL220SD-19	1	PC.
5			631738-2	LIGHT CIRCUIT	1	PC.
6			638503-0	SWITCH UNIT	1	PC.
7			424042-4	CUSHION RUBBER	1	PC.
8			188453-4	BATTERY HOUSING SET	1	SET
		INC.	263005-3	RUBBER PIN 6	2	PC.
9			643812-4	TERMINAL, BLACK	1	PC.
10			421971-2	BUMPER	1	PC.
11			266056-5	TAPPING SCREW 5X45	4	PC.
12			158076-2	HAMMER CASE COMPLETE	1	PC.
13			267268-3	FLAT WASHER 19	1	PC.
14			322045-1	CLIP	1	PC.
15			323675-1	PIN 4 (ROUND HEAD)	1	PC.
16			324405-3	ANVIL	1	PC.
17			324697-4	HAMMER	1	PC.
18			216008-6	STEEL BALL 4	29	PC.
19			267340-1	FLAT WASHER 32	2	PC.
20			233477-6	COMPRESSION SPRING 33	1	PC.
21			216007-8	STEEL BALL 6.4	2	PC.
22			227171-0	SPUR GEAR 23	3	PC.
23			310185-7	SPINDLE	1	PC.
24			256033-5	PIN 6	3	PC.
25			253794-8	FLAT WASHER 18	1	PC.
26			213722-5	O RING 63	1	PC.
27			227172-8	INTERNAL GEAR 53	1	PC.
28			213407-3	O RING 26	1	PC.
29			210059-1	BALL BEARING 6000DDW	1	PC.
30			241850-6	FAN 60	1	PC.
31			519199-5	ARMATURE ASS'Y 18V	1	PC.
		INC.		Item No. 29,30,32		
32			210025-8	BALL BEARING 627LLB	1	PC.
33			638107-8	YOKE UNIT	1	PC.
34			265995-6	TAPPING SCREW 4X18	2	PC.
35			643818-2	BRUSH HOLDER	1	PC.
36			643823-9	BRUSH HOLDER	1	PC.
37	1		194435-6	CARBON BRUSH CB-441 2PC/SET (W/O ORIGIN) - N/L/A	1	SET
	2		195022-4	CARBON BRUSH CB-441, 2PCS/SET, W/ORIGIN	1	SET
38			643941-3	BRUSH HOLDER CAP	2	PC.
40			424042-4	CUSHION RUBBER	1	PC.
42			251314-2	+ SCREW M4X12 (F/HOOK)	1	PC.
43			345736-7	HOOK	1	PC.
44			263036-2	RUBBER PIN 5	1	PC.
45			268184-2	PIN 1.5	1	PC.
46			424026-2	CUSHION	1	PC.

ACCESSORIES

- See catalogue or visit www.makita.ca for more accessories information -

A01	1		DC18RA	CHARGER DC18RA	1	PC.
	2		DC18RC	CHARGER DC18RC	1	PC.
A02			194205-3	18V LI-ION BATTERY BL1830	2	PC.

Item No	Type	Ref	Part No	Description	Qty	Unit
A03			450128-8	BATTERY COVER	1	PC.
A04	1		824777-1	PLASTIC CARRYING CASE	1	PC.
		INC.	163467-4	LATCH	2	PC.
	2		141644-8	PLASTIC CASE COMPLETE	1	PC.
		INC.	163467-4	LATCH	2	PC.
A05			194485-1	FLAT PIN 4 SET (See Instruction Manual 194485-1)	1	PC.
		INC.	268098-5	PIN 4 (FLAT HEAD)	1	PC.
		INC.	322045-1	CLIP	1	PC.
		INC.	345842-8	HOOK (Not available as an individual part)	1	PC.
A06			195871-9	DRILL BIT REMOVER SET	1	PC.