

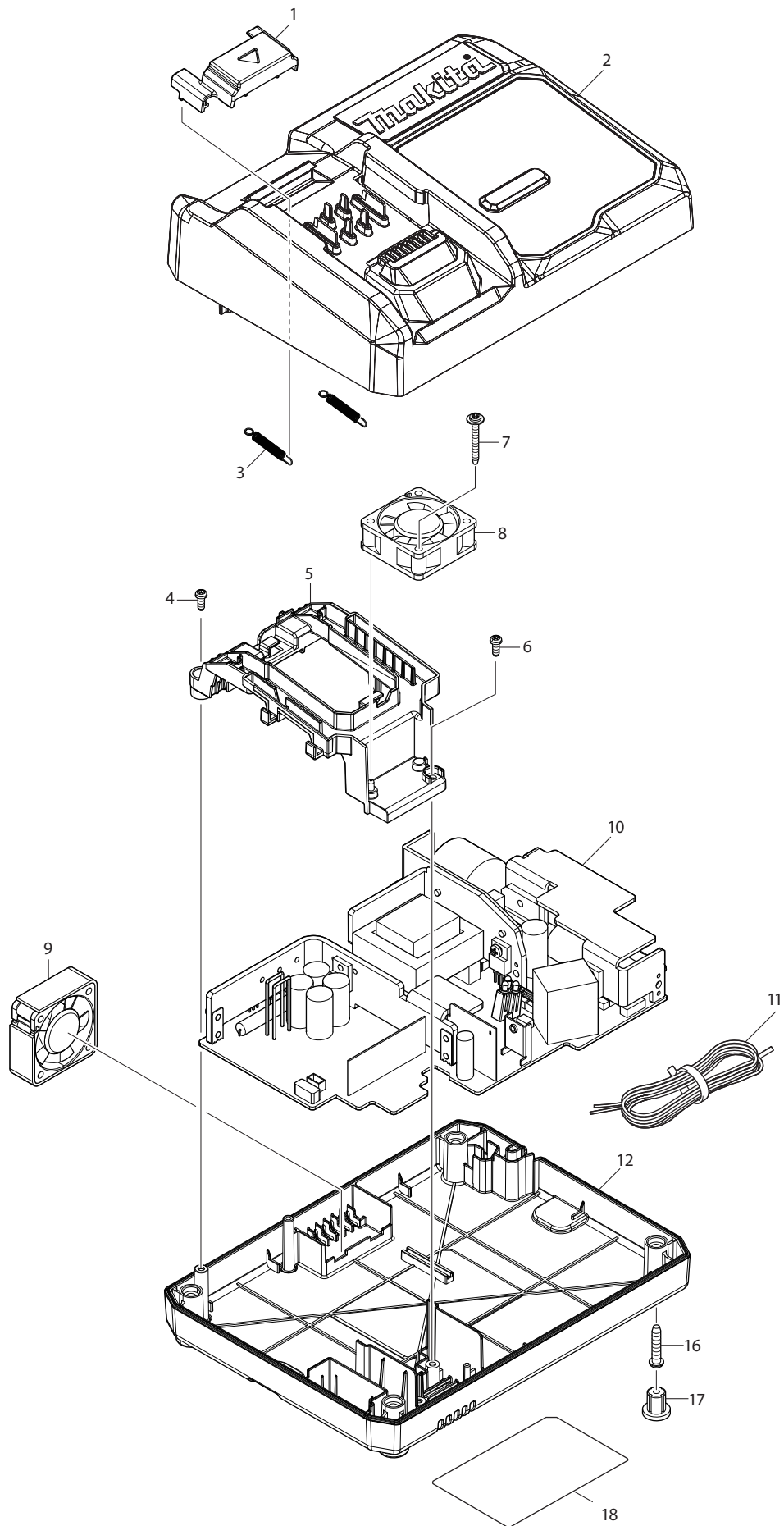
## Model GAG03Z Parts List

A = Standard Equipment

O = Circuit Diagram

Item#	Part#	Description	Q'ty	Unit
1	8008U5-3	CLEAR LABEL		
2	183P29-8	MOTOR HOUSING SET	1	
	C10 263005-3	RUBBER PIN 6	2	PC.
	D10	INC. 41		
3	266326-2	TAPPING SCREW 4X18	5	PC.
4	422563-0	DUST COVER	1	PC.
5	210023-2	BALL BEARING 627DDW	1	PC.
6	519595-7	ROTOR ASS'Y	1	PC.
	D10	INC. 5		
7	136190-4	GEAR HOUSING COVER ASS'Y	1	PC.
	D10	INC. 8		
8	213445-5	O-RING 26	1	PC.
9	210042-8	BALL BEARING 629LLB	1	PC.
10	226976-5	SPIRAL BEVEL GEAR 10	1	PC.
11	252186-8	HEX. NUT M6	1	PC.
12	136198-8	GEAR HOUSING ASS'Y	1	PC.
	D10	INC. 13-17		
13	412234-7	PIN CAP	1	PC.
14	233072-2	COMPRESSION SPRING 8	1	PC.
15	263002-9	RUBBER PIN 4	1	PC.
16	213960-9	O RING 5	1	PC.
17	256546-6	SHOULDER PIN 4	1	PC.
18	266048-4	TAPPING SCREW 4X40	4	PC.
19	210033-9	BALL BEARING 696ZZ	1	PC.
20	233950-6	RING SPRING 11	1	PC.
21	226862-0	SPIRAL BEVEL GEAR 37	1	PC.
22	962151-6	RETAINING RING R-32	1	PC.
23	211129-9	BALL BEARING 6201DDW	1	PC.
24	213622-9	O RING 45	1	PC.
25	136262-5	BEARING BOX ASS'Y	1	
	D10	INC. 24,26,32		
26	213510-0	O RING 36	1	PC.
27	327322-6	SLEEVE 4	2	PC.
28	232490-1	COMPRESSION SPRING 4	1	PC.
29	347641-4	LEVER B	1	PC.
30	911159-7	PAN HEAD SCREW M4X30	2	PC.
31	911138-5	PAN HEAD SCREW M4X20	2	PC.
32	232542-8	SCROW WAVE SPRING 41	1	PC.
33	962105-3	RETAINING RING R-26	1	PC.
34	326670-0	SPINDLE A	1	PC.
35	310515-2	LEAD FLANGE A	1	PC.
36	140N43-5	WHEEL COVER 125L COMPLETE	1	PC.
	C10 813N68-9	CAUTION LABEL	1	PC.
37	224448-4	INNER FLANGE 45B	1	PC.
38	193465-4	LOCK NUT 5/8-45	1	PC.
39	8007R2-2	XGT LOGO LABEL	1	PC.
40	422563-0	DUST COVER	1	PC.
41	183P29-8	MOTOR HOUSING SET	1	
	C10 263005-3	RUBBER PIN 6	2	PC.

	D10	INC. 2	
42	140T33-4	SWITCH LEVER COMPLETE	1
43	233263-5	COMPRESSION SPRING 9	1 PC.
44	651083-9	SWITCH C3XA-1PSPM	1 PC.
45	629480-7	STATOR COMPLETE	1
46	632P65-6	TERMINAL UNIT	1 PC.
47	856Y41-2	GAG03 SERIAL NO. LABEL	1
48	856Y35-7	GAG03 NAME PLATE	1
A01	158237-4	GRIP 36 COMPLETE	1 PC.
A02	A-95962	INOX GRINDING WHEEL 125MM	1 PC.
A03	782424-9	LOCK NUT WRENCH 28	1 PC.
E01	805C42-5	CAUTION LABEL	1 PC.



## Model DC40RA Parts List

A = Standard Equipment

O = Circuit Diagram

Item#	Part#	Description	Q'ty	Unit
001	459475-4	TERMINAL COVER	1	PC.
002	140N46-9	CHARGER CASE COMPLETE	1	PC.
	C10 459476-2	LENS	1	PC.
	C20 819V01-7	CHARGING CONDITION LABEL	1	PC.
003	232565-6	TENSION SPRING 4	2	PC.
004	265B02-7	TAPPING SCREW 3X8	1	PC.
005	459474-6	TERMINAL BASE	1	PC.
006	265B02-7	TAPPING SCREW 3X8	1	PC.
007	265A61-5	TAPPING SCREW FLANGE 3X25	1	PC.
008	632P24-0	FAN 40	1	PC.
009	632P25-8	FAN 40	1	PC.
010	620B41-8	CHARGING CIRCUIT	1	PC.
010	C11 647075-4	VARISTOR	1	PC.
	C20 652089-0	FUSE	1	PC.
011	667982-5	VINYL CORD #18-2-2.0	1	PC.
012	459846-5	CHARGER CASE COVER	1	PC.
016	265B01-9	TAPPING SCREW PT 4X20	4	PC.
017	286255-3	CAP 13	4	PC.
018	857F48-7	DC40RA NAME PLATE	1	PC.
E01	819V02-5	CAUTION LABEL	1	PC.