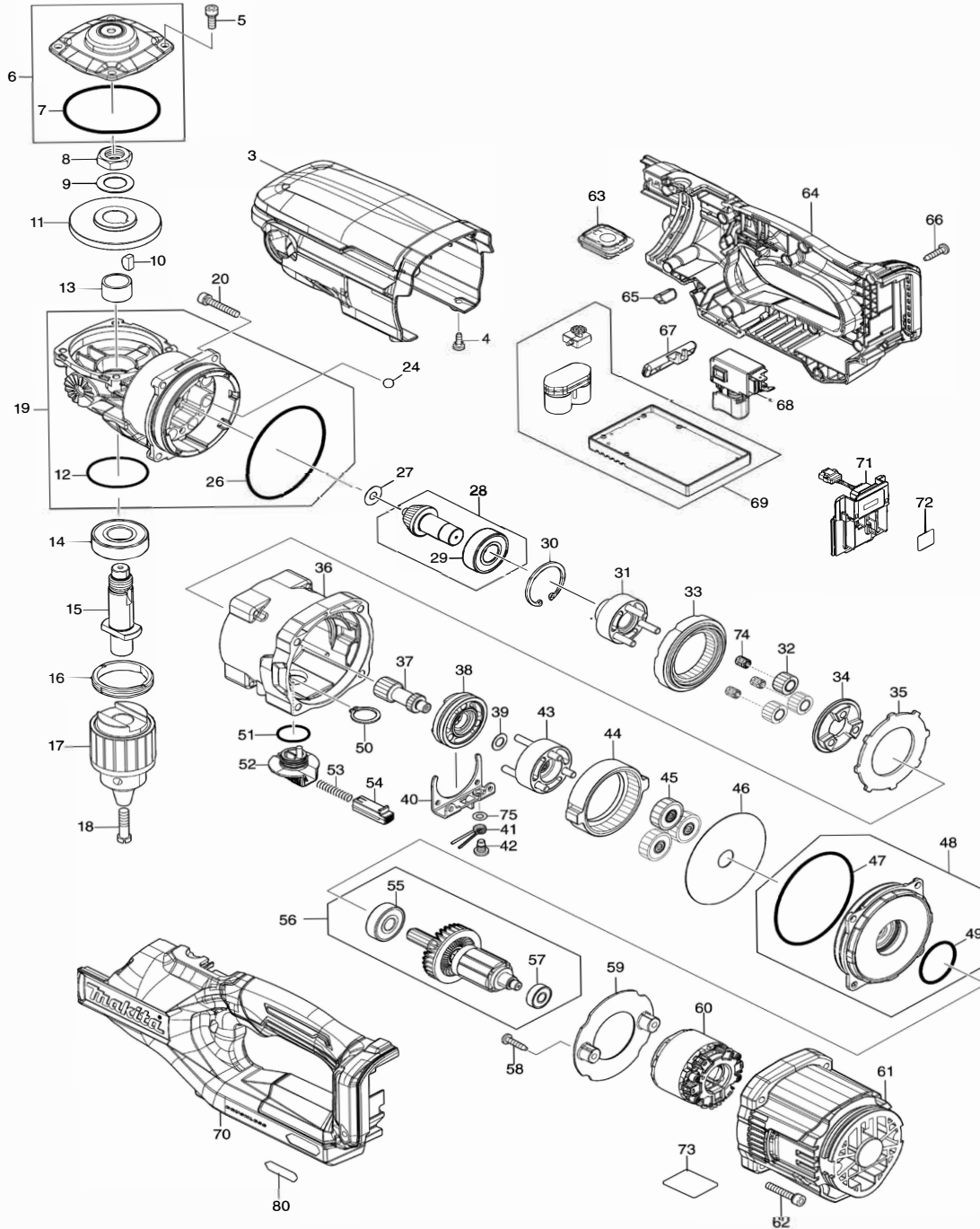




GGD01

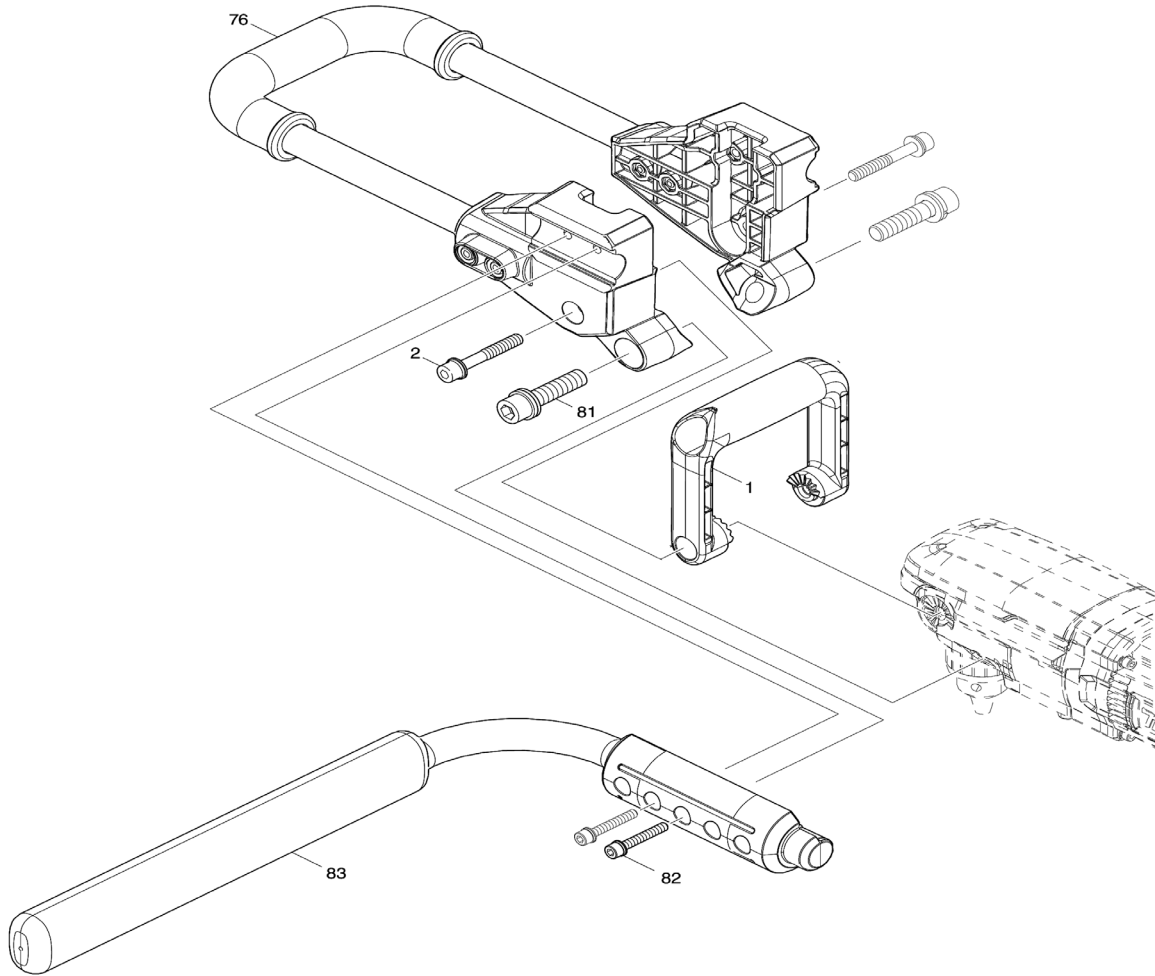


Products with multiple versions are listed in subsiding order with the newest version on top not indented.

Section	Fig. No.	Part No.	Description	GGD01	Tech Bulletin	Notes
1	3	458430-3	TOP COVER	1		
1	4	266026-4	TAPPING SCREW BIND CT 4X12	2		
1	5	266086-6	HEX. SOCKET HEAD BOLT M5X16	4		
1	6	140A21-7	GEAR HOUSING COVER COMPLETE	1		INC. 7
1	7	213709-7	O RING 63	1		
1	8	252267-8	HEX. NUT M16-22	1		
1	9	253771-0	FLAT WASHER 16	1		
1	10	254032-1	WOODRUFF KEY 5	1		
1	11	227416-6	SPIRAL BEVEL GEAR 40	1		
1	12	213507-9	O RING 40	1		
1	13	257440-5	SLEEVE 17	1		
1	14	211278-2	BALL BEARING 6203DDW	1		
1	15	327106-2	SPINDLE	1		
1	16	285842-5	BEARING RETAINER 36-43	1		
1	17	763250-5	DRILL CHUCK S-13	1		
1	18	251463-5	- FLAT HEAD SCREW M6X22	1		
1	19	141D39-9	GEAR HOUSING COMPLETE	1		INC. 12,26
1	20	265695-8	H. S. H. BOLT M5X30 WITH WRM	4		
1	24	216022-2	STEEL BALL 7.0	8		
1	26	213755-0	O RING 75	1		
1	27	253411-0	FLAT WASHER 6	1		
1	28	140A23-3	SPIRAL BEVEL GEAR 13 COMPLETE	1		INC. 29
1	29	211206-7	BALL BEARING 6202LLB	1		
1	30	962153-2	RETAINING RING R-35	1		
1	31	140A13-6	CARRIER A COMPLETE	1		
1	32	226176-7	SPUR GEAR 13	3		
1	33	226177-5	INTERNAL GEAR 40	1		
1	34	223188-1	CAM	1		
1	35	347365-2	WASHER 65	1		
1	36	127809-6	GEAR CASE COMPLETE	1		
1	37	226175-9	SPUR GEAR 14	1		
1	38	310876-0	CHANGE RING	1		
1	39	253215-0	FLAT WASHER 8	1		
1	40	347366-0	CHANGE GUIDE	1		

Products with multiple versions are listed in subsiding order with the newest version on top not indented.

Section	Fig. No.	Part No.	Description	GGD01	Tech Bulletin	Notes
1	41	231657-8	TORSION SPRING 6	1		
1	42	265628-3	+ BINDING HEAD SCREW M5	1		
1	43	140A14-4	CARRIER B COMPLETE	1		
1	44	226174-1	INTERNAL GEAR 71	1		
1	45	140A12-8	SPUR GEAR 29 COMPLETE	3		
1	46	253412-8	FLAT WASHER 15	1		
1	47	213755-0	O RING 75	1		
1	48	140A20-9	MOTOR BRACKET COMPLETE	1		INC. 47,49
1	49	213406-5	O RING 30	1		
1	50	961058-3	RETAINING RING (EXT) S-18	1		
1	51	213265-7	O RING 17	1		
1	52	458433-7	CHANGE LEVER	1		
1	53	233279-0	COMPRESSION SPRING 4	1		
1	54	458434-5	LOCK BUTTON	1		
1	55	211087-9	BALL BEARING 6200DDW	1		
1	56	519689-8	ROTOR ASSY	1		INC. 55,57
1	57	211021-9	BALL BEARING 607ZZ	1		
1	57	211022-7	BALL BEARING 607ZZ	1		
1	58	266326-2	TAPPING SCREW 4X18	2		
1	59	458427-2	BAFFLE PLATE	1		
1	60	629356-8	STATOR	1		
1	61	458426-4	MOTOR HOUSING	1		
1	62	265695-8	H. S. H. BOLT M5X30 WITH WRM	4		
1	63	140A19-4	SWITCH CIRCUIT COMPLETE	1		
1	64	183S93-7	HANDLE SET	1		INC. 70
1	65	620839-1	LED CIRCUIT	1		
1	66	266326-2	TAPPING SCREW 4X18	10		
1	67	458432-9	F/R CHANGE LEVER	1		
1	68	651443-5	SWITCH C3JR-4B	1		
1	69	620E87-2	CONTROLLER	1		
1	70	183S93-7	HANDLE SET	1		INC. 64
1	71	632P65-6	TERMINAL UNIT	1		
1	74	212193-3	NEEDLE CAGE 5810	3		
1	75	267010-2	FLAT WASHER 5	1		



Products with multiple versions are listed in subsiding order with the newest version on top not indented.

Section	Fig. No.	Part No.	Description	GGD01	Tech Bulletin	Notes
2	1	458431-1	FRONT GRIP	1		
2	2	922478-6	H.S.H.BOLT M8X55 WITH WR	2		
2	76	127688-2	PIPE GRIP ASSEMBLY	1		
2	81	922673-8	H.S.H.BOLT M12X50 WITH WR	2		
2	82	922363-3	H.S.H.BOLT M6X40 WITH WR	2		
2	83	140W52-8	PIPE COMPLETE	1		
A01	141C01-8		KEY HOLDER COMPLETE	1		Not Pictured
A02	251314-2		+ SCREW M4X12	1		Not Pictured
A03	763251-3		CHUCK KEY S-13	1		Not Pictured
A04	783204-6		HEX. WRENCH 6	1		Not Pictured
A05	783207-0		HEX. WRENCH 10	1		Not Pictured
A06	783232-1		HEX. WRENCH 5	1		Not Pictured
A07	922453-2		HEX.SOCKET HEAD BOLT M8X30	2		Not Pictured
A08	327684-2		ADAPTER A	1		For Makita Augers
A09	327687-6		ADAPTER D	1		For Stihl Augers