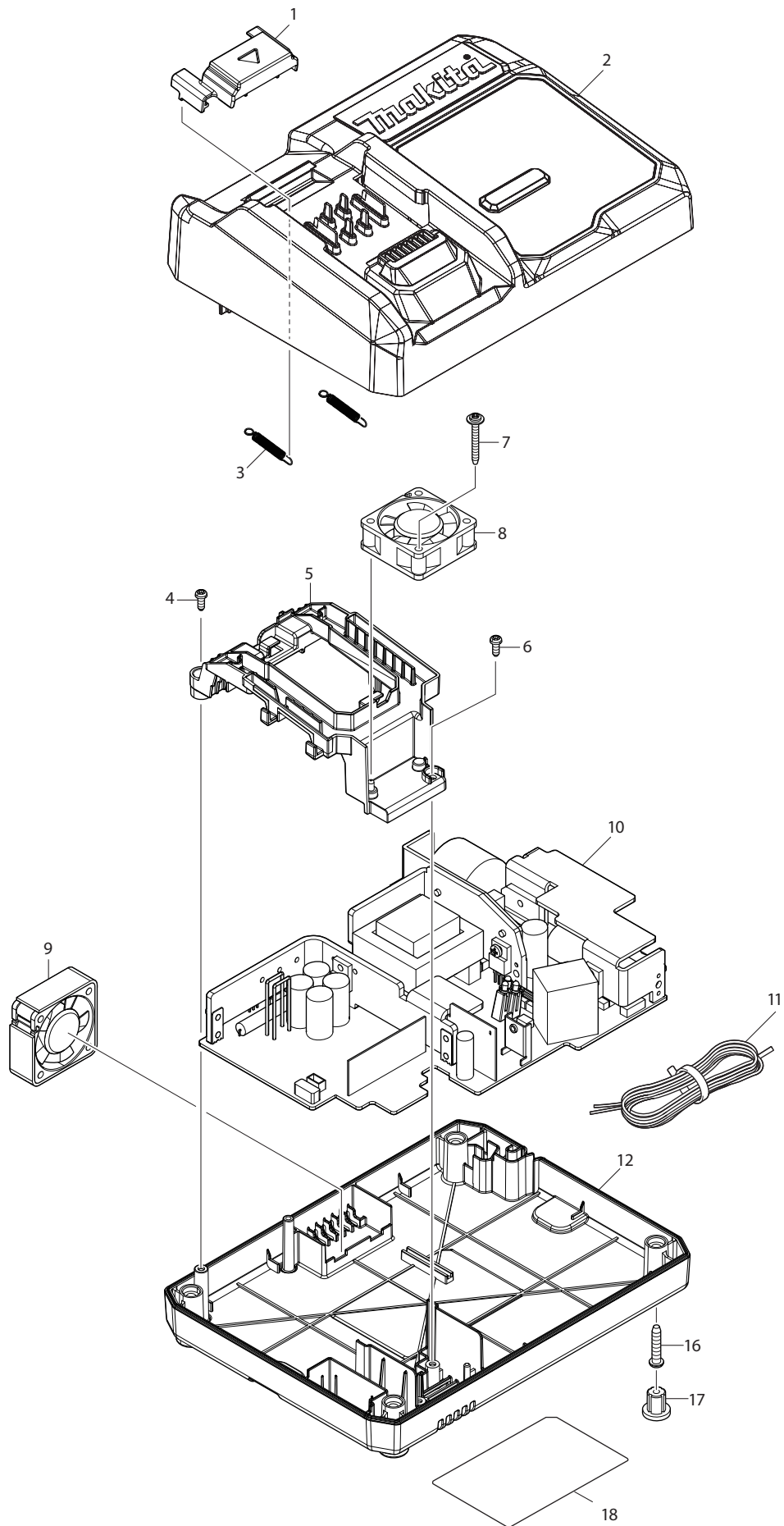


## Model GPH02Z Parts List

A = Standard Equipment

O = Circuit Diagram

| Item# | Part#        | Description                 | Q'ty | Unit |
|-------|--------------|-----------------------------|------|------|
| 001   | 858C80-6     | GPH02 NAME PLATE            | 1    |      |
| 002   | 191N20-0     | HOUSING SET                 | 1    |      |
|       | C10 263005-3 | RUBBER PIN 6                | 2    | PC.  |
|       | C20 252126-6 | HEX. LOCK NUT M4-7          | 2    | PC.  |
|       | C30 8026Y7-1 | CAUTION LABEL               | 1    | PC.  |
|       | D10          | INC. 21                     |      |      |
| 003   | 266429-2     | TAPPING SCREW 3X16          | 7    | PC.  |
| 004   | 232493-5     | LEAF SPRING                 | 2    | PC.  |
| 005   | 127731-7     | SPEED CHANGE LEVER ASSEMBLY | 1    |      |
|       | C10 233438-6 | COMPRESSION SPRING 4        | 2    | PC.  |
| 006   | 251468-5     | FLAT HEAD SCREW M6X22       | 1    | PC.  |
| 007   | 763256-3     | KEYLESS DRILL CHUCK 13      | 1    | PC.  |
| 008   | 127729-4     | GEAR ASSEMBLY               | 1    |      |
| 009   | 251497-8     | TAPPING SCREW 3X20          | 4    | PC.  |
| 010   | 266490-9     | TAPPING SCREW PT 2X6        | 3    | PC.  |
| 011   | 620E42-4     | CONTROLLER                  | 1    |      |
| 012   | 652069-6     | FLAT HEAD SCREW M3X6        | 3    | PC.  |
| 013   | 629A35-4     | STATOR                      | 1    |      |
| 014   | 619659-8     | ROTOR                       | 1    |      |
| 015   | 413305-3     | REAR COVER                  | 1    |      |
| 016   | 266429-2     | TAPPING SCREW 3X16          | 2    | PC.  |
| 017   | 620549-0     | LED CIRCUIT                 | 1    | PC.  |
| 018   | 419041-9     | F/R CHANGE LEVER            | 1    | PC.  |
| 019   | 651443-5     | SWITCH C3JR-4B              | 1    | PC.  |
| 020   | 632R99-1     | TERMINAL UNIT               | 1    |      |
| 021   | 191N20-0     | HOUSING SET                 | 1    |      |
|       | C10 263005-3 | RUBBER PIN 6                | 2    | PC.  |
|       | C20 252126-6 | HEX. LOCK NUT M4-7          | 2    | PC.  |
|       | C30 8026Y7-1 | CAUTION LABEL               | 1    | PC.  |
|       | D10          | INC. 2                      |      |      |
| 022   | 8007R2-2     | XGT LOGO LABEL              | 1    | PC.  |
| 023   | 858C87-2     | GPH02 SERIAL NO. LABEL      | 1    | PC.  |
| A01   | 251314-2     | SCREW M4X12                 | 1    | PC.  |
| A02   | 346449-3     | HOOK                        | 1    | PC.  |



## Model DC40RA Parts List

A = Standard Equipment

O = Circuit Diagram

| Item# | Part#        | Description               | Q'ty | Unit |
|-------|--------------|---------------------------|------|------|
| 001   | 459475-4     | TERMINAL COVER            | 1    | PC.  |
| 002   | 140N46-9     | CHARGER CASE COMPLETE     | 1    | PC.  |
|       | C10 459476-2 | LENS                      | 1    | PC.  |
|       | C20 819V01-7 | CHARGING CONDITION LABEL  | 1    | PC.  |
| 003   | 232565-6     | TENSION SPRING 4          | 2    | PC.  |
| 004   | 265B02-7     | TAPPING SCREW 3X8         | 1    | PC.  |
| 005   | 459474-6     | TERMINAL BASE             | 1    | PC.  |
| 006   | 265B02-7     | TAPPING SCREW 3X8         | 1    | PC.  |
| 007   | 265A61-5     | TAPPING SCREW FLANGE 3X25 | 1    | PC.  |
| 008   | 632P24-0     | FAN 40                    | 1    | PC.  |
| 009   | 632P25-8     | FAN 40                    | 1    | PC.  |
| 010   | 620B41-8     | CHARGING CIRCUIT          | 1    | PC.  |
| 010   | C11 647075-4 | VARISTOR                  | 1    | PC.  |
|       | C20 652089-0 | FUSE                      | 1    | PC.  |
| 011   | 667982-5     | VINYL CORD #18-2-2.0      | 1    | PC.  |
| 012   | 459846-5     | CHARGER CASE COVER        | 1    | PC.  |
| 016   | 265B01-9     | TAPPING SCREW PT 4X20     | 4    | PC.  |
| 017   | 286255-3     | CAP 13                    | 4    | PC.  |
| 018   | 857F48-7     | DC40RA NAME PLATE         | 1    | PC.  |
| E01   | 819V02-5     | CAUTION LABEL             | 1    | PC.  |