

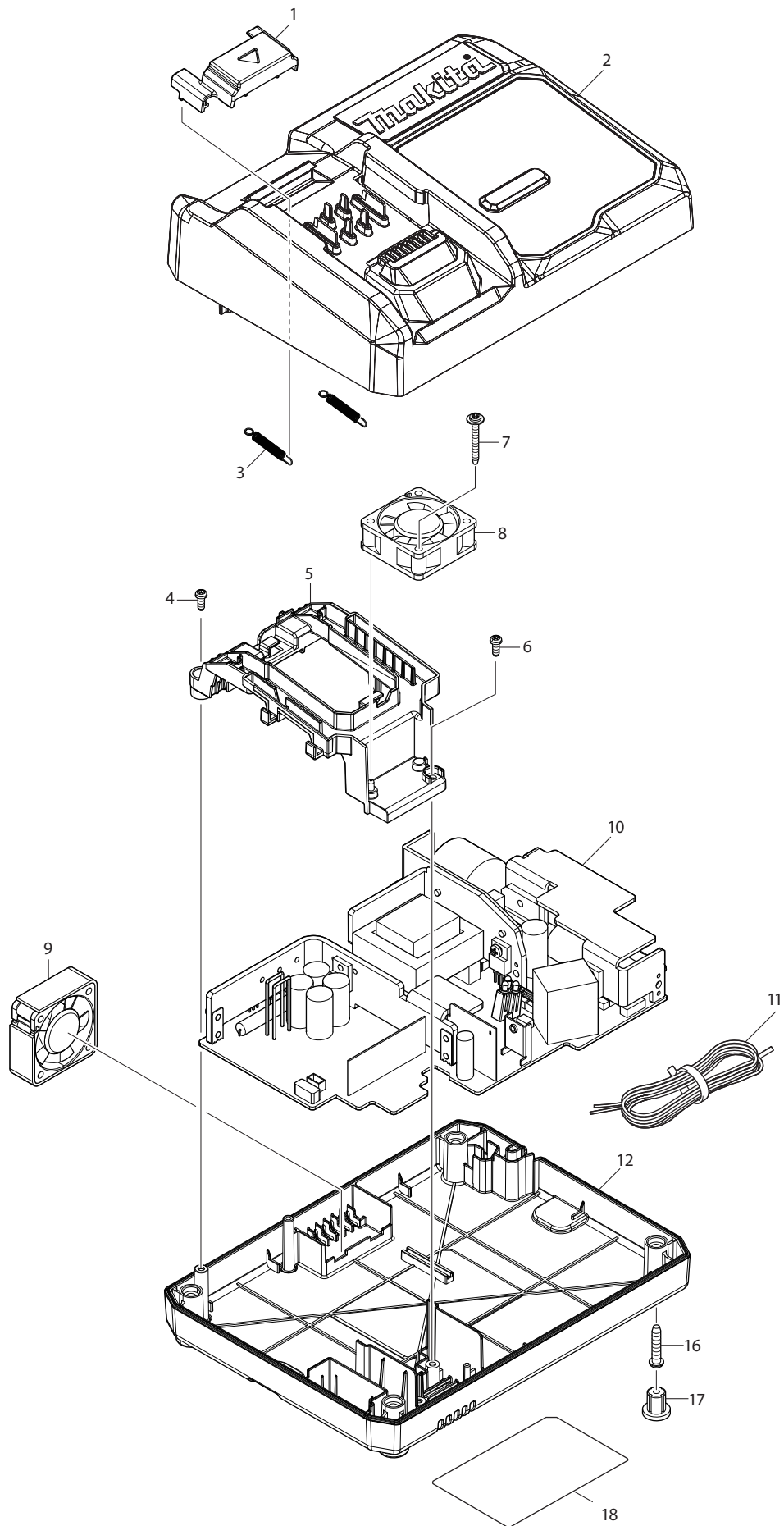
Model GWT01Z Parts List

A = Standard Equipment

O = Circuit Diagram

Item#	Part#	Description	Q'ty	Unit
1	422594-9	BUMPER		
2	140U80-1	HAMMER CASE COMPLETE	1	PC.
	C10 8013D8-1	CAUTION LABEL	1	
3	267250-2	FLAT WASHER 30	1	PC.
4	232334-5	RING SPRING 16	1	PC.
5	136249-7	ANVIL E ASS'Y	1	PC.
	D10	INC. 4		
6	327595-1	HAMMER	1	
7	216002-8	STEEL BALL 4.8	30	PC.
8	253478-8	FLAT WASHER 41	1	PC.
9	232623-8	COMPRESSION SPRING 41	1	PC.
10	216009-4	STEEL BALL 7.1	2	PC.
11	327594-3	SPINDLE	1	
12	226990-1	SPUR GEAR 11-22	2	
13	226989-6	SPUR GEAR 15	2	
14	257539-6	SLEEVE 5	2	PC.
15	268238-5	PIN 5	4	PC.
16	267235-8	FLAT WASHER 18	1	PC.
17	346947-7	RETAINER	1	PC.
18	253479-6	FLAT WASHER 57	1	PC.
19	226991-9	INTERNAL SPUR GEAR 50	1	
20	213663-5	O RING 55	1	PC.
22	422595-7	GASKET	1	PC.
23	136279-8	INTERNAL GEAR CASE ASS'Y	1	
	D10	INC. 24		
24	213961-7	O RING 22	1	PC.
25	210069-8	BALL BEARING 6900DDW	1	PC.
26	519630-1	ROTOR ASSY	1	PC.
	D10	INC. 25,27		
27	211021-9	BALL BEARING 607ZZ	1	PC.
28	629A16-8	STATOR UNIT	1	PC.
	C10 8012S9-8	SWITCH LABEL	1	
29	265B38-6	H. S. HEAD BOLT M5X50 WITH WRM	4	PC.
30	265A48-7	TAPPING SCREW 4X18	9	PC.
31	183P61-2	HOUSING SET	1	SET
	D10	INC. 40		
32	183S33-5	BATTERY HOUSING SET	1	SET
	C10 263005-3	RUBBER PIN 6	2	PC.
	C20 252126-6	HEX. LOCK NUT M4-7	4	PC.
	D10	INC. 41		
33	424773-5	CUSHION RUBBER	1	PC.
36	456268-0	F/R CHANGE LEVER	1	PC.
37	140U03-9	SWITCH COMPLETE	1	PC.
	C10 424774-3	SWITCH COVER	1	
38	620D09-6	LED CIRCUIT	1	PC.
39	632P49-4	TERMINAL UNIT	1	PC.
40	183S33-5	HOUSING SET	1	SET
	D10	INC. 31		
41	183S33-5	BATTERY HOUSING SET	1	SET

C10	263005-3	RUBBER PIN 6	2 PC.
C20	252126-6	HEX. LOCK NUT M4-7	4 PC.
D10		INC. 32	
43	424773-5	CUSHION RUBBER	1 PC.
44	857G19-0	GWT01 NAME PLATE	1
45	857G26-3	GWT01 SERIAL NO. LABEL	1
A01	251314-2	SCREW M4X12	2 PC.
A02	346949-3	HOOK	1 PC.



Model DC40RA Parts List

A = Standard Equipment

O = Circuit Diagram

Item#	Part#	Description	Q'ty	Unit
001	459475-4	TERMINAL COVER	1	PC.
002	140N46-9	CHARGER CASE COMPLETE	1	PC.
	C10 459476-2	LENS	1	PC.
	C20 819V01-7	CHARGING CONDITION LABEL	1	PC.
003	232565-6	TENSION SPRING 4	2	PC.
004	265B02-7	TAPPING SCREW 3X8	1	PC.
005	459474-6	TERMINAL BASE	1	PC.
006	265B02-7	TAPPING SCREW 3X8	1	PC.
007	265A61-5	TAPPING SCREW FLANGE 3X25	1	PC.
008	632P24-0	FAN 40	1	PC.
009	632P25-8	FAN 40	1	PC.
010	620B41-8	CHARGING CIRCUIT	1	PC.
010	C11 647075-4	VARISTOR	1	PC.
	C20 652089-0	FUSE	1	PC.
011	667982-5	VINYL CORD #18-2-2.0	1	PC.
012	459846-5	CHARGER CASE COVER	1	PC.
016	265B01-9	TAPPING SCREW PT 4X20	4	PC.
017	286255-3	CAP 13	4	PC.
018	857F48-7	DC40RA NAME PLATE	1	PC.
E01	819V02-5	CAUTION LABEL	1	PC.