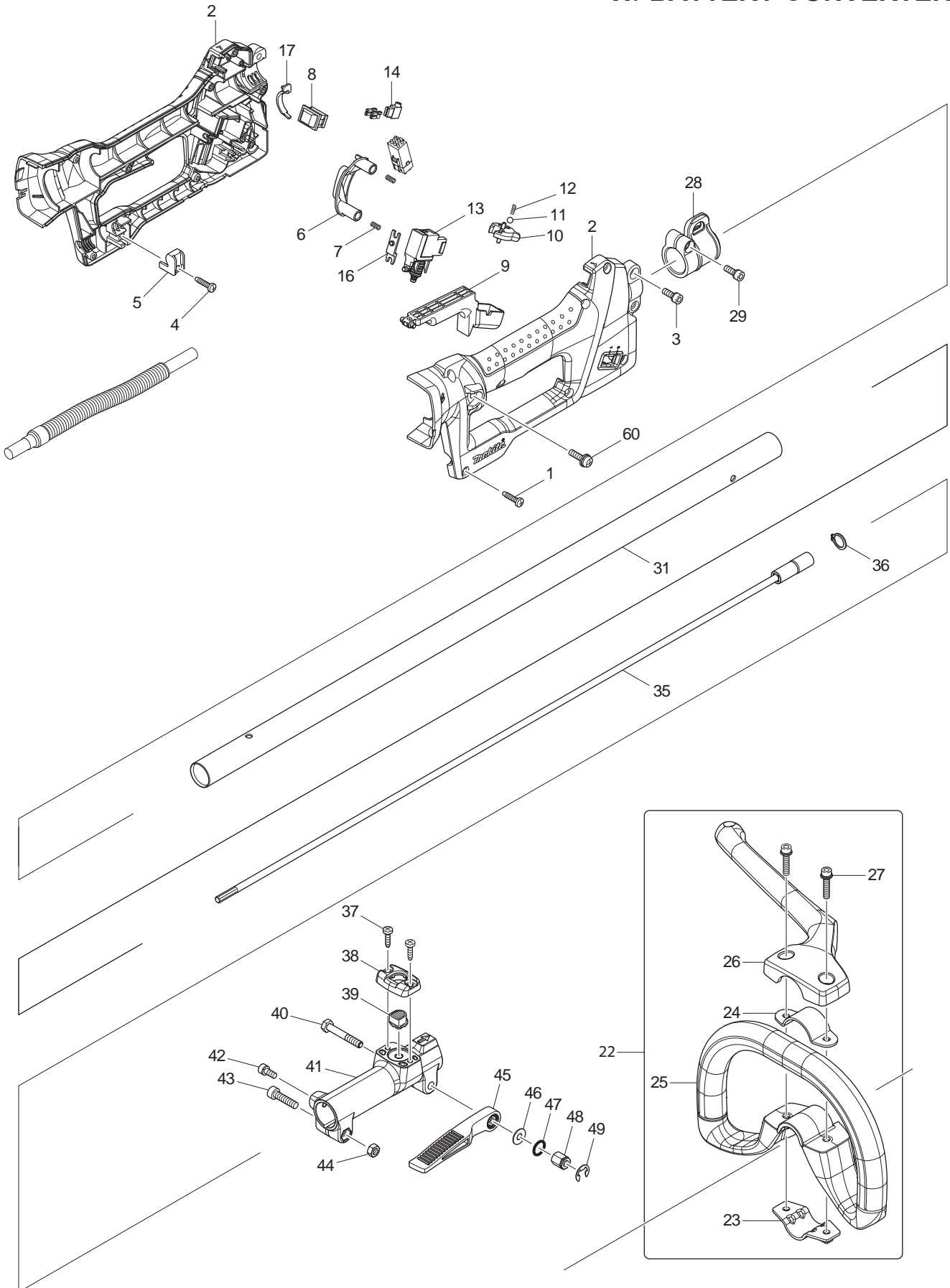
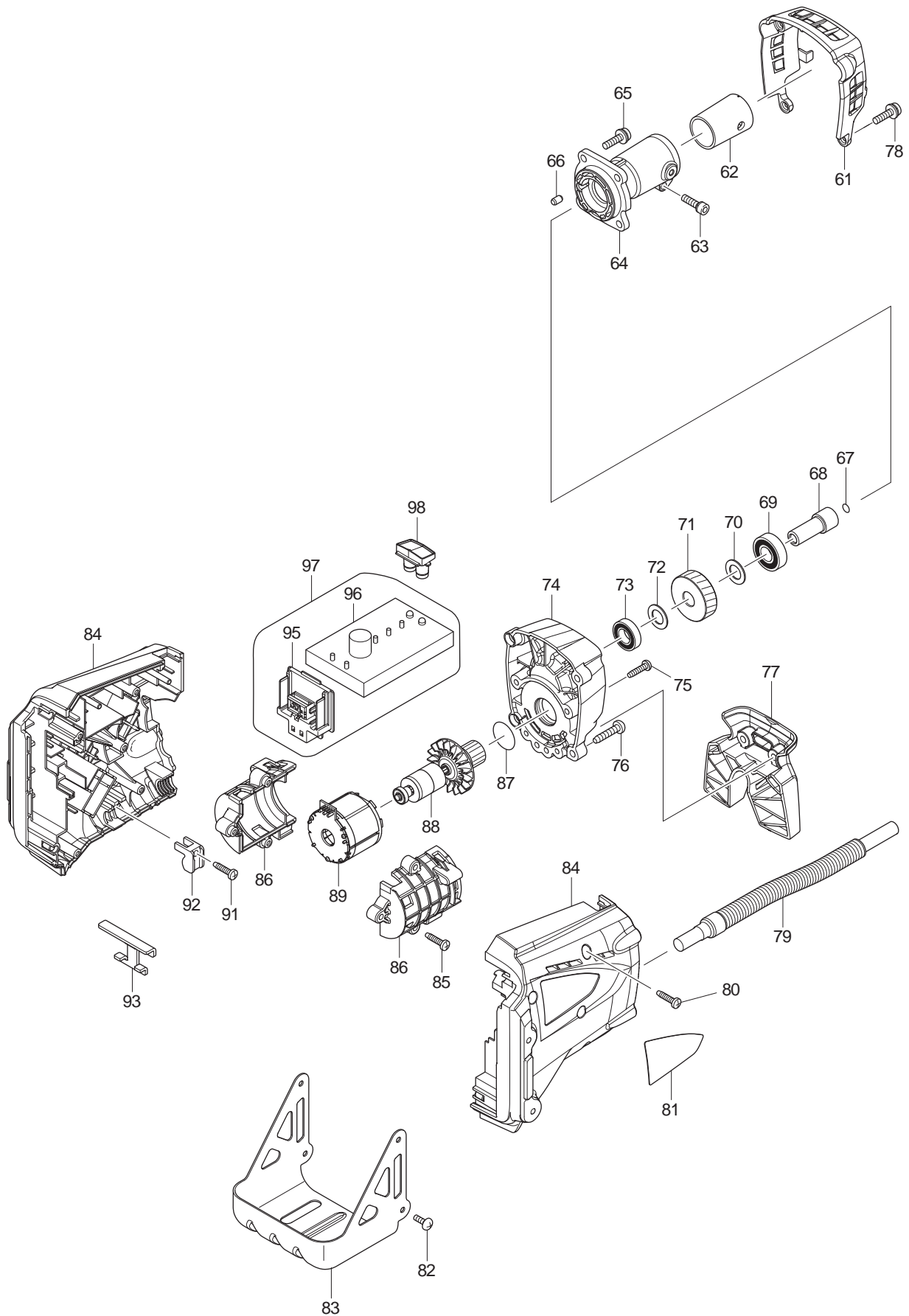




12 - 2013  
HXU03ZX2  
36V SPLIT SHAFT BRUSH CUTTER  
W/ BATTERY CONVERTER





Item No.	Type	Sub	Part No.	Description	Qty	Unit
1			265995-6	TAPPING SCREW 4X18	8	PC.
2			188841-5	GRIP SET	1	PC.
3			922228-9	H.S.H.BOLT M5X18 WITH WR	1	PC.
4			265995-6	TAPPING SCREW 4X18	1	PC.
5			687261-5	STRAIN RELIEF	1	PC.
6			451983-1	LOCK OFF BUTTON	1	PC.
7			233054-4	COMPRESSION SPRING 4	2	PC.
8			651533-4	SWITCH SLE6A2-33	1	PC.
9			451984-9	SWITCH LEVER	1	PC.
10			451986-5	INDICATOR	1	PC.
11			216018-3	STEEL BALL 5.0	1	PC.
12			233211-4	COMPRESSION SPRING 2	1	PC.
13			650630-3	SWITCH TGR3-3	1	PC.
14			686015-7	RECEPTACLE SLEEVE	1	PC.
16			451982-3	LINK PLATE	1	PC.
17			451985-7	LEAD COVER	1	PC.
22			195515-1	LOOP HANDLE SET	1	PC.
		INC.		Item No. 23-27		
23			346467-1	CLAMP 24	1	PC.
24			346468-9	CLAMP 33	1	PC.
25			452841-4	LOOP HANDLE	1	PC.
26			452842-2	CLAMP COVER A	1	PC.
27			922244-1	H.S.H.BOLT M5X25 WITH WG	2	PC.
28			168478-4	HANGER	1	PC.
29			922228-9	H.S.H.BOLT M5X18 WITH WR	1	PC.
31			141593-9	SHAFT PIPE B COMPLETE	1	PC.
		INC.				
			898752-3	CAUTION LABEL FR/SP	1	PC.
35			141238-9	SHAFT B COMPLETE	1	PC.
36			961052-5	RETAINING RING S-12	1	PC.
37			266034-5	TAPPING SCREW CT 4X16	2	PC.
38			452840-6	RELEASE BUTTON COVER	1	PC.
39			452839-1	RELEASE BUTTON	1	PC.
40			265596-0	HEX.BOLT M6X40	1	PC.
41			318750-6	JOINT 24	1	PC.
42			922211-6	HEX. SOCKET HEAD BOLT M5X12	1	PC.
43			922342-1	HEX. SOCKET HEAD BOLT M6X25	1	PC.
44			931302-2	HEX. NUT M6	1	PC.
45			272268-0	LEVER 94	1	PC.
46			253332-6	THIN WASHER 6	1	PC.
47			213105-9	O RING 11	1	PC.
48			252159-1	HEX. NUT M6	1	PC.
49			961014-3	STOP RING E-8	1	PC.
60			911233-1	PAN HEAD SCREW M5X20	1	PC.
61			451981-5	GEAR BOX COVER	1	PC.
62			424307-4	PIPE RUBBER	1	PC.
63			922231-0	HEX. SOCKET HEAD BOLT M5X20	1	PC.
64			318560-1	PIPE BRACKET	1	PC.
65			911233-1	PAN HEAD SCREW M5X20	4	PC.
66			263002-9	RUBBER PIN 4	1	PC.
67			213045-1	O-RING 6	1	PC.
68			325811-5	SPINDLE HUB	1	PC.
69			211148-5	BALL BEARING 6001ZZ	1	PC.
70			253744-3	FLAT WASHER 12	1	PC.
71			227720-3	HELICAL GEAR 33	1	PC.
72			253744-3	FLAT WASHER 12	1	PC.
73			211150-8	BALL BEARING 6901ZZ	1	PC.
74			318559-6	GEAR BOX	1	PC.
75			265995-6	TAPPING SCREW 4X18	4	PC.
76			266041-8	TAPPING SCREW 5X25	4	PC.

Item No.	Type	Sub	Part No.	Description	Qty	Unit
77			451572-2	STAND	1	PC.
78			911233-1	PAN HEAD SCREW M5X20	2	PC.
79			699047-5	POWER SUPPLY CORD UNIT	1	PC.
80			265995-6	TAPPING SCREW 4X18	5	PC.
81			897206-7	NAME PLATE F/HXU03	1	PC.
82			251314-2	+ SCREW M4X12	4	PC.
83			346194-0	BATTERY GUARD	1	PC.
84			188836-8	HOUSING SET	1	PC.
85			265995-6	TAPPING SCREW 4X18	3	PC.
86			188838-4	MOTOR HOUSING SET	1	PC.
87			213961-7	O RING 22	1	PC.
88			619254-4	ROTOR	1	PC.
89			629880-1	STATOR	1	PC.
91			265995-6	TAPPING SCREW 4X18	1	PC.
92			687261-5	STRAIN RELIEF	1	PC.
93			346039-2	SUPPORT PLATE	1	PC.
95			643849-1	TERMINAL	1	PC.
96			620018-1	CONTROLLER	1	PC.
97			620019-9	CONTROLLER COMPLETE	1	PC.
		INC.		Item No. 95,96		
98			140285-7	INDICATION PLATE COMPLETE	1	PC.
C01			873260-5	CARTON F/HXU03ZX2	1	PC.

#### **ACCESSORIES**

A01			125516-5	BAND ASSEMBLY	1	PC.
A02			EM 195298-3	9" BRUSHCUTTER BLADE 3-POINT 3T 1"	1	PC.
A03			EM 782210-8	SOCKET WRENCH 17	1	PC.
A04			783202-0	HEX. WRENCH 4	1	PC.
A05			831304-7	ACCESSORY BAG	1	PC.
A06			EM 451252-0	TOOL COVER	1	PC.
A07	1		195850-7	BATTERY CONVERTER BCV02	1	PC.
	2		196810-2	BATTERY CONVERTER BCV03	1	PC.
A10			B-14118	9" BRUSHCUTTER BLADE 4-POINT 4T 1"	1	PC.
A11	1		EN400MP	HEDGE TRIMMER ATTACHMENT (See Partsbreakdown EN400MP)	1	PC.
	2		EN401MP	HEDGE TRIMMER ATTACHMENT (See Partsbreakdown EN401MP)	1	PC.
A12			EY401MP	CHAIN SAW ATTACHMENT (See Partsbreakdown EY401MP)	1	PC.
A13			KR400MP	CULTIVATE ATTACHMENT (See Partsbreakdown KR400MP)	1	PC.
A14			LE400MP	SHAFT EXTENTION ATTACHMENT (See Partsbreakdown LE400MP)	1	PC.
A15			EM401MP	BRUSHCUTTER/LINE TRIMMER ATTCH (See Partsbreakdown EM401MP)	1	PC.
A16			194874-0	36V LI-ION BATTERY BL3626	1	PC.
A17			DC36RA	CHARGER DC36RA	1	PC.