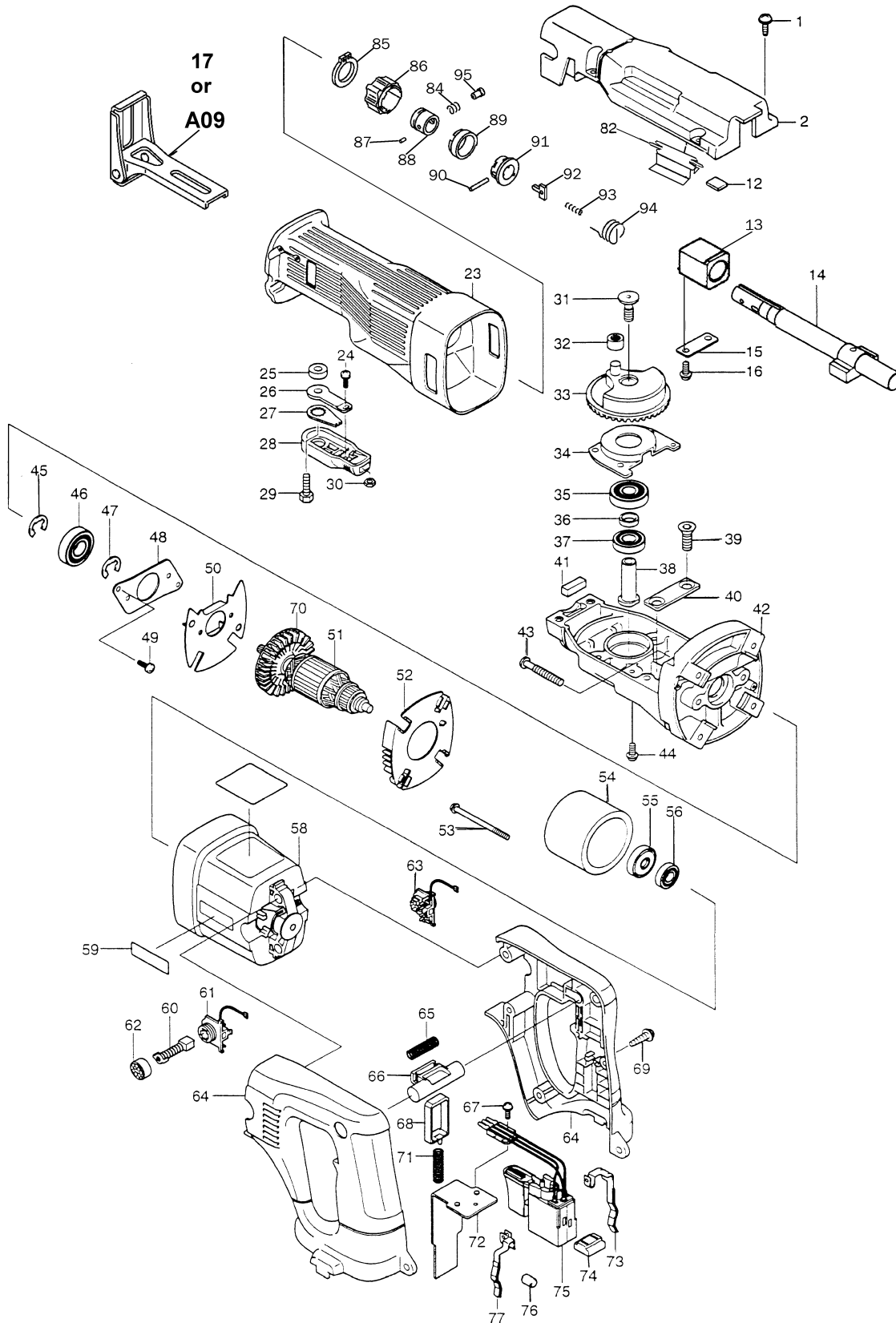


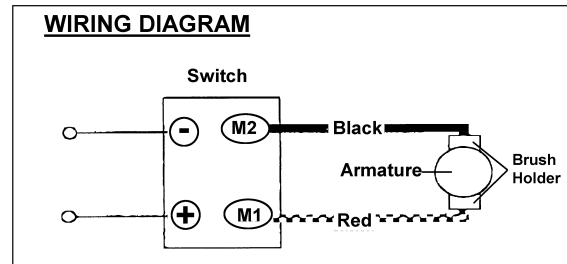
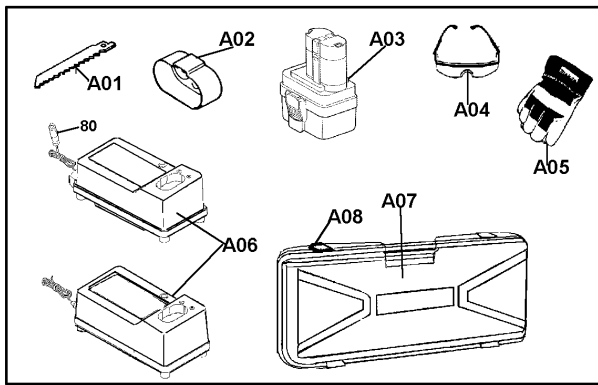


14.4V - 1" RECIPRO SAW

18V - 1" RECIPRO SAW

Model JR140DWA (MCA)
Model JR140DZ (MCA)
Model JR180DWB (MCA)
Model JR180DZ (MCA)





Item No.	Part No.	No. Used	Description	Item No.	Part No.	No. Used	Description
1	911228-4	4	P.H. Screw M5X18	46	211131-2	1	Ball Bearing 6001DDW
2	*	1	Gear Housing Cover Com.	47	961016-9	1	Stop Ring E-10
3	216002-8	1	Steel Ball 4.8 *	48	285697-8	1	Bearing Retainer B
4	256454-1	1	Pin 5.5-6 *	49	911516-9	2	P.H. Screw M4X12
5	310138-6	1	Clamp (Old 310088-5) *	50	416960-0	1	Fan Guide
	310138-6X	1	Clamping System Repair Kit (Includes Items 3 - 10 & 83)	51	519052-5	1	Armature Assy (JR140DWA) (Includes Items 55, 56 & 70)
6	*	1	Torx Socket Head Bolt M5X10		519051-7	1	Armature Assy (JR180DWB) (Includes Items 55, 56 & 70)
7	162215-8	1	Push Button *	52	416959-5	1	Baffle Plate
8	323916-5	1	Push Pin *	53	266209-6	2	Tapping Screw 4X60
9	233018-8	1	Compression Spring 3 *	54	632828-4	1	Yoke Unit
10	233247-3	1	Compression Spring 16 *	55	681652-2	1	Insulation Washer
11	257226-7	1	Ring 13 *	56	210017-7	1	Ball Bearing 607DDW
12	443070-0	2	Plate 12X16	57	851730-4	1	Name Plate JR140D
13	214169-6	2	Plane Bearing 14		851734-6	1	Name Plate JR180D
14	168328-3	1	Slider *	58	416957-9	1	Motor Housing
15	341462-6	2	Plate	59	819720-3	2	Makita Label
16	911225-0	4	P.H. Screw M5X16	60	191970-5	2	Carbon Brush CB-429 (2pcs/Set)
17	344801-9	1	Shoe Plate/Shoe *	61	643949-7	1	Brush Holder R
18	961017-7	1	Stop Ring E-3 (Old) *	62	643941-3	2	Holder Cap
19	252103-8	1	Hex Lock Nut M5-8 *	63	643950-2	1	Brush Holder L
20	268044-8	1	Pin 4 (Old) *	64	183140-0	1	Handle Set (JR140DWA)
21	266241-0	1	Hex Socket Head Bolt M5X50 *		183141-8	1	Handle Set (JR181DWB)
22	*	1	Shoe Supporter	65	231469-9	1	Compression Spring 4
23	421693-4	1	Insulation Cover	66	416958-7	1	Lock-Off Button
24	911114-9	1	P. H. Screw M4X10	67	911006-2	1	P.H. Screw M3X8
25	257558-2	1	Sleeve 9	68	416976-5	1	Stopper
26	344732-2	1	Inner Plate	69	265995-6	6	Tapping Screw 4X18
27	344733-0	1	Lock Plate	70	241869-5	1	Fan 55
28	152904-3	1	Lever 60 Com. (With Item 30) (Old 272240-2)	71	231469-9	1	Compression Spring 4
29	921442-4	1	Hex Bolt M8X25	72	689090-2	1	Heat Sink
30	931102-0	1	Hex Nut M4	73	654195-7	1	Spring Terminal (Plus)
31	266220-8	1	Torx Socket Head Bolt M6X15	74	687085-9	1	Holder
32	212001-8	1	Needle Bearing 708	75	651980-9	1	Switch (JR140DWA)
33	153267-0	1	Gear Com.		651979-4	1	Switch (JR180DWB)
34	285696-0	1	Bearing Retainer A	76	263002-9	2	Rubber Pin 4
35	211061-7	1	Ball Bearing 6000LLB	77	654196-5	1	Spring Terminal (Minus)
36	257146-5	1	Ring 10	78	941102-2	1	Flat Washer 5 (Old)
37	210057-5	1	Ball Bearing 6900LLB	79	942101-7	1	Spring Washer 5 (Old)
38	323887-6	1	Gear Shaft	80	655000-B	1	Plug for Cigarette Lighter
39	251969-3	2	Hex Socket Head Bolt M5X12	81	942101-7	1	Spring Washer 5 *
40	344795-8	1	Plate C				
41	443107-3	1	Felt 8X24				
42	317229-4	1	Gear Housing				
43	266012-5	4	Tapping Screw 5X35				
44	911601-8	3	P.H. Screw M5X8				
45	961016-9	1	Stop Ring E-10				

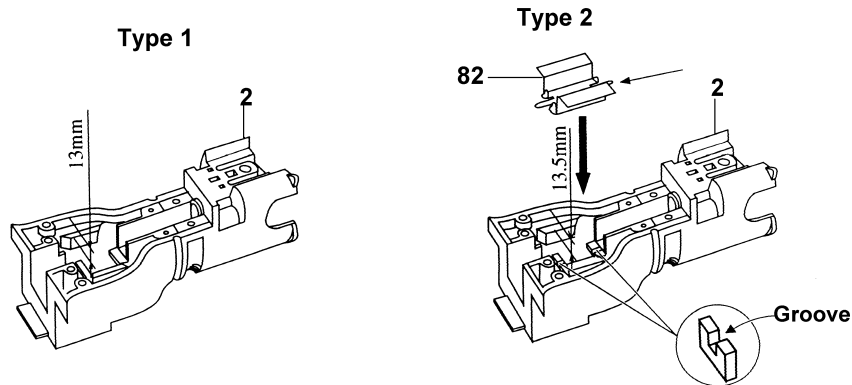
2 Model JR140DWA
 2 Model JR140DZ
 2 Model JR180DWB
 2 Model JR180DZ

Item No.	Part No.	No. Used	Description	Item No.	Part No.	No. Used	Description
82	344858-0	1	Slide Plate * (Add)	A04	191686-A	1	Makita Safety Glasses
83	267758-6	1	Spring Washer 5 (Add) *	A05	G-00001	1	Makita Safety Gloves
84	233345-3	1	Compression Spring 6 *				
85	961078-7	1	Retaining Ring (EXT) S-18 *	A06	DC1411	1	Quad Voltage Charger F/1.3, 1.7, 2.0 & 2.2AH - F/7.2V, 9.6V, 12V & 14.4V Ni-Cad & Ni-MH Batteries (JR140DWA)
86	162228-9	1	Driving Sleeve *				
87	268094-3	1	Pin 3 *				
88	331639-1	1	Guide Sleeve *				
89	417791-0	1	Driving Sleeve Guide *				
90	256158-5A	1	Pin 3 *		DC1801	1	DC1801 Battery Charger F/1.3, 1.7, 2.0 & 2.2AH - F/7.2V, 9.6V, 12V, 14.4V & 18V Ni-Cad & Ni-MH Batteries (JR180DWB)
91	310129-7	1	Sleeve *				
92	345214-7	1	Push Plate *				
93	233025-1	1	Compression Spring 2 *				
94	231662-5	1	Torsion Spring 17 *				
95	256471-1	1	Shoulder Pin 5 *		DC1422		Automotive Quad Charger F/ 1.3, 1.7, 2.0 & 2.2Ah - F/ 7.2V, 9.6V, 12V & 14.4V Ni-Cad & Ni-MH Batteries (Includes Item 80)
100	652038-7	2	P.H Screw M3X8				
Accessories							
A01	192342-7	1	Recipro Saw Blade Set (3pc) (Type 1)	A07	824565-6	1	Plastic Carrying Case (Includes Item A08)
	193572-3	1	Recipro Saw Blade Set (3pc) (Type 2)	A08	417152-4	2	Latch
A02	414938-7	1	Battery Cover	A09	163441-2	1	Shoe (Stationary Type) *
A03	192600-1	1	14.4V Battery 1422 (2.0Ah) (JR140DWA)				
	192699-A	1	14.4V Ni-Mh Battery 1433 (2.2Ah) (JR140DWA)				
	192827-3	1	18V Ni-Cad Battery 1822 (2.0Ah) (JR180DWB)				
	192829-9	1	18V Ni-Mh Battery 1833 (2.2Ah) (JR180DWB)				

* SEE SERVICE CHANGES

SERVICE CHANGES

1. Change on Gear Housing and Addition of Slide Plate.

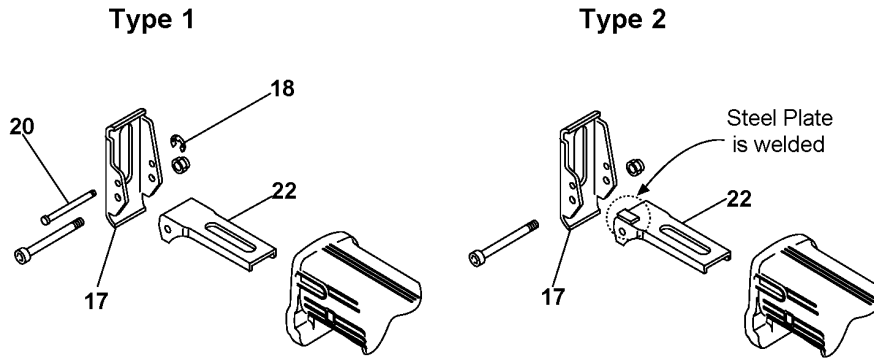


Item No.	Description	Type 1	Type 2
2	Gear Housing Cover Com.	151627-0	151941-4
82	Slide Plate	-----	344858-0
	Serial No. - JR140DWA	N/A	N/A
	Serial No. - JR180DWB	N/A	N/A

Above parts are completely interchangeable as a set.

3 Model JR140DWA
3 Model JR140DZ
3 Model JR180DWB
3 Model JR180DZ

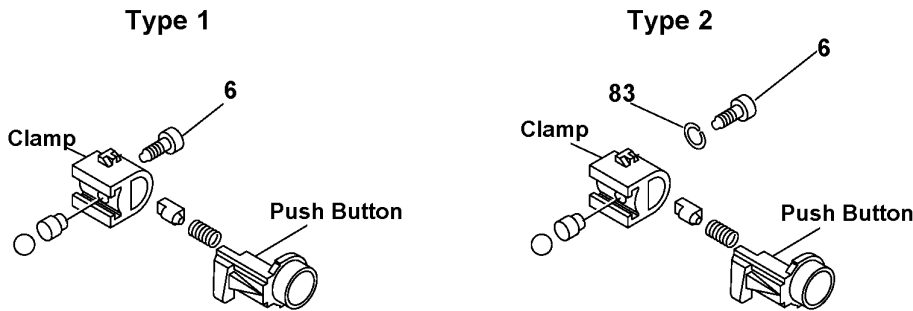
2. Modification of Shoe Supporter.



Item No.	Description	Type 1	Type 2	Type 3
18	Stop Ring E-3	961017-7	-----	See Change on Tool-less Blade Change System (Service Change # 4)
20	Pin 4	268044-8	-----	
22	Shoe Supporter	344813-2	344925-1	
	Serial # JR140DWA/JR140DZ	~ 3400A	3401A ~	
	Serial # JR180DWA/JR180DZ	~ 22912A	22913A ~	

Above parts are completely interchangeable as a set.

3. Change on Torx Socket Head Bolt M5X10 and Addition of Spring Washer 5.

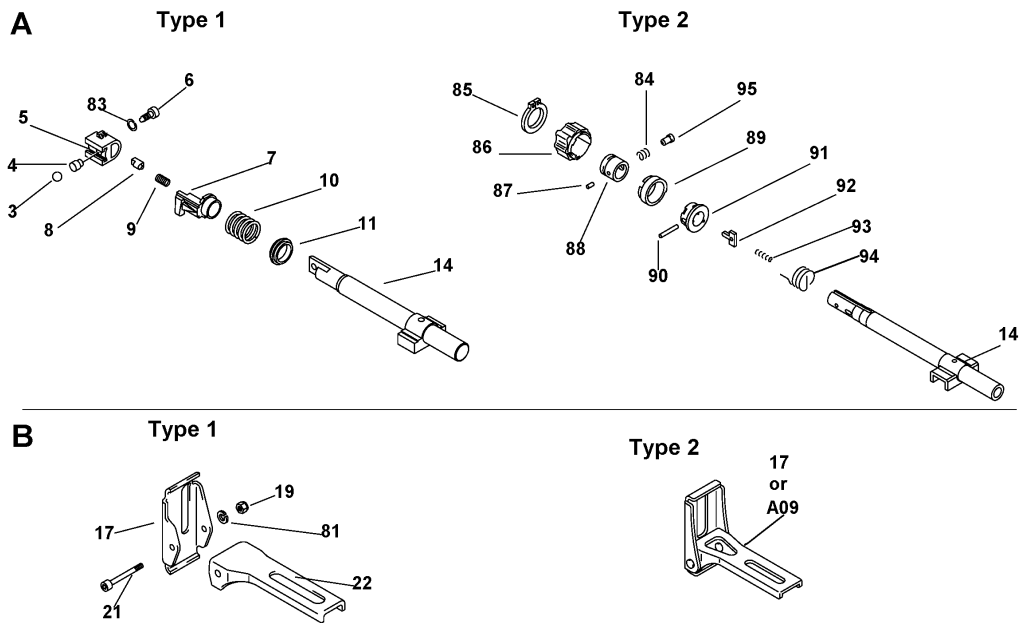


Item No.	Description	Type 1	Type 2	Type 3
6	Torx Socket Head Bolt M5X10	266247-8	266272-9	See Change on Tool-less Blade Change System (Service Change #4)
78	Flat Washer 5	941102-2	-----	
79	Spring Washer 5	942101-7	-----	
83	Spring Washer 5	-----	267758-6	
	Serial # JR140DWA/JR140DZ	~ 4312A	4313A ~	
	Serial # JR180DWB/JR180DZ	~ 24880A	24881A ~	

Above parts are completely interchangeable as a set.

- 4 Model JR140DWA
- 4 Model JR140DZ
- 4 Model JR180DWB
- 4 Model JR180DZ

4. Change of Blade Clamping System and Shoe.



Item No.	Description	Type 1	Type 2
A 3	Steel Ball 4.8	216002-8	-----
4	Pin 5.5-6	256454-1	-----
5	Clamp	310138-6	-----
6	Torx Socket Head Shoulder Bolt M5X10	266272-9	-----
7	Push Button	162215-8	-----
8	Push Pin	323916-5	-----
9	Compression Spring 3	233018-8	-----
10	Compression Spring 16	233247-3	-----
11	Ring 13	257226-7	-----
14	Slider	168328-3	168376-2
83	Spring Washer 5	267758-6	-----
84	Compression Spring 6	-----	233345-3
85	Retaining Ring EXT S-18	-----	961078-7
86	Driving Sleeve	-----	162228-9
87	Pin 3	-----	268094-3
88	Guide Sleeve	-----	331639-1
89	Driving Sleeve Guide	-----	417791-0
90	Pin 3	-----	256158-5A
91	Sleeve	-----	310129-7
92	Push Plate	-----	345214-7
93	Compression Spring 2	-----	233025-1
94	Torsion Spring 17	-----	231662-5
95	Shoulder Pin 5	-----	256471-1
B 17	Shoe Plate / Shoe (Flexible Type)	344801-9	163442-0
19	Hex Lock Nut M5-8	252103-8	-----
21	Hex Socket Head Bolt	266241-0	-----
22	Shoe Supporter	344925-1	-----
81	Spring Washer 5	942101-7	-----
A09	Shoe (Stationary Type) (Optional)	168337-2	163441-2

Above parts are completely interchangeable as a set.

5 Model JR140DWA
 5 Model JR140DZ
 5 Model JR180DWB
 5 Model JR180DZ