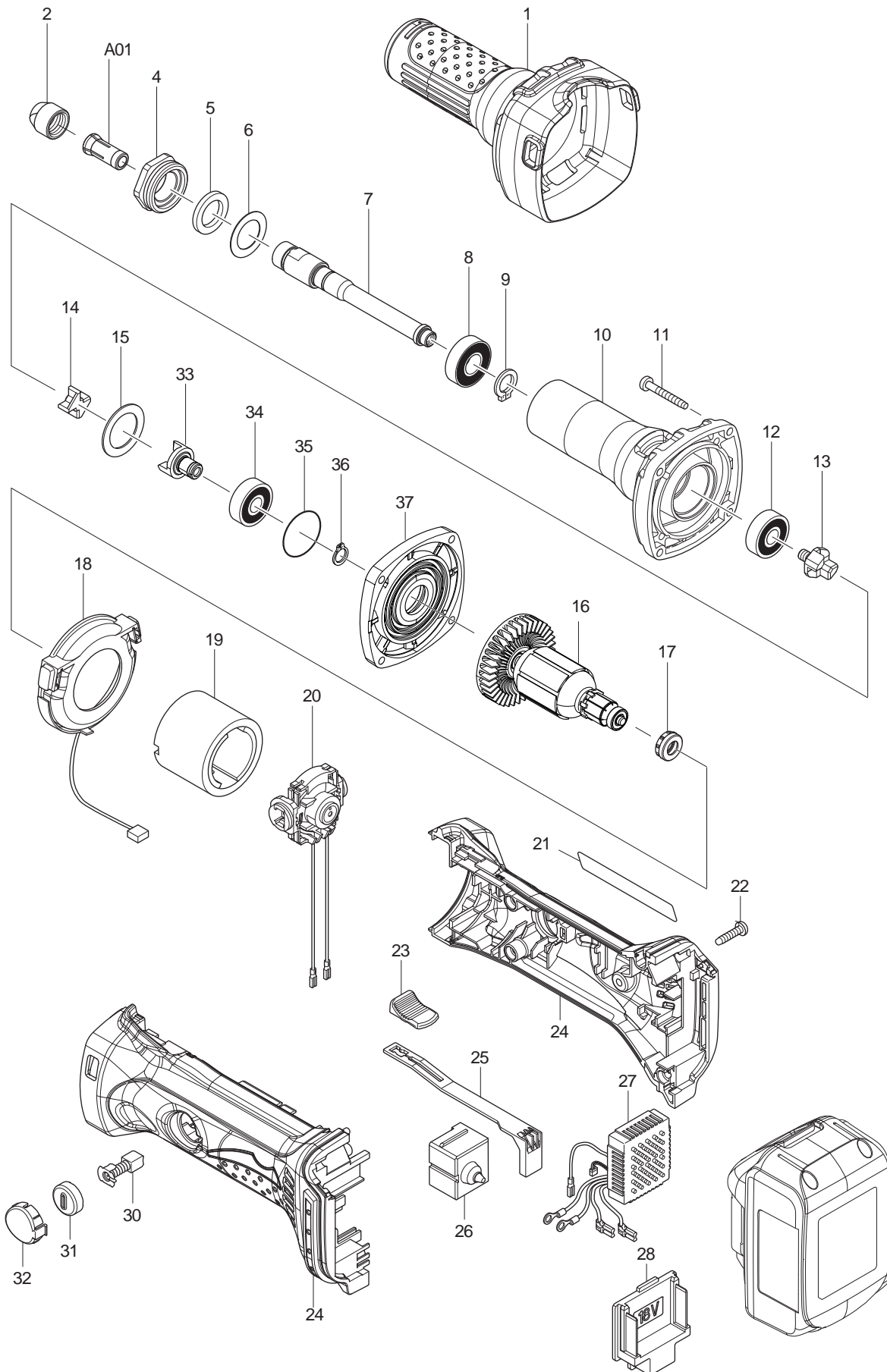




09 - 2011
LXDG01 / LXDG01Z / LXDG01Z1
18V LXT DIE GRINDER



| Item No | Type | Part No | Description | Qty | Unit |
|---------|------|----------|----------------------|-----|------|
| 1 | | 424380-4 | INSULATION COVER | 1 | PC. |
| 2 | | 763668-0 | COLLET NUT | 1 | PC. |
| 4 | | 317999-5 | BEARING RETAINER | 1 | PC. |
| 5 | | 443124-3 | FELT RING 17 | 1 | PC. |
| 6 | | 267329-9 | FLAT WASHER 18 | 1 | PC. |
| 7 | | 326010-2 | SPINDLE | 1 | PC. |
| 8 | | 210106-8 | BALL BEARING 6001LLB | 1 | PC. |
| 9 | | 961052-5 | RETAINING RING S-12 | 1 | PC. |
| 10 | | 318000-9 | BARREL | 1 | PC. |
| 11 | | 266361-0 | TAPPING SCREW 4X30 | 4 | PC. |
| 12 | | 210042-8 | BALL BEARING 629LLB | 1 | PC. |
| 13 | | 324639-8 | COUPLING | 1 | PC. |
| 14 | | 421942-9 | SPACER | 1 | PC. |
| 15 | | 267126-3 | FLAT WASHER 22 | 1 | PC. |
| 16 | | 619284-5 | ARMATURE | 1 | PC. |
| | INC. | | Item No. 17 | | |
| 17 | | 421977-0 | RUBBER RING 13 | 1 | PC. |
| 18 | | 631714-6 | LED CIRCUIT | 1 | PC. |
| 19 | | 638627-2 | YORK UNIT | 1 | PC. |
| 20 | | 638448-2 | ENDBELL COMPLETE | 1 | PC. |
| 21 | | 868959-5 | LXDG01 NAME PLATE | 1 | PC. |
| 22 | | 266326-2 | TAPPING SCREW 4X18 | 5 | PC. |
| 23 | | 419566-3 | SWITCH KNOB | 1 | PC. |
| 24 | | 188704-5 | HOUSING SET | 1 | SET |
| | INC. | 263005-3 | RUBBER RING 6 | 1 | SET |
| 25 | | 419519-2 | SWITCH LEVER | 1 | PC. |
| 26 | | 650579-7 | SWITCH 1246.3223 | 1 | PC. |
| 27 | 1 | 631713-8 | CONTROLLER | 1 | PC. |
| | 2 | 620072-5 | CONTROLLER | 1 | PC. |
| 28 | | 643838-6 | TERMINAL | 1 | PC. |
| 30 | | 195018-5 | CARBON BRUSH CB-430 | 1 | PC. |
| 31 | | 643929-3 | BRUSH HOLDER CAP | 2 | PC. |
| 32 | | 419518-4 | HOLDER CAP COVER | 2 | PC. |
| 33 | | 326009-7 | COUPLING | 1 | PC. |
| 34 | | 210042-8 | BALL BEARING 629LLB | 1 | PC. |
| 35 | | 213445-5 | O-RING 26 | 1 | PC. |
| 36 | | 961005-4 | RETAINING RING S-9 | 1 | PC. |
| 37 | | 317821-6 | GEAR HOUSING COVER | 1 | PC. |
| C01 | | 871652-2 | CARTON (For LXDG01Z) | 1 | PC. |
| C01A | | 871669-5 | CARTON (For LXDG01) | 1 | PC. |
| D01 | | 652044-2 | +BIND SCREW M3.5X5.0 | 2 | PC. |
| E01 | | 892170-7 | CAUTION LABEL | 1 | PC. |

ACCESSORIES

- See Catalogue or visit www.makita.ca for more accessories -

| | | | | | |
|-----|------|-----------|---------------------------------|---|-----|
| A01 | | 763673-7 | COLLET CONE 1/4" | 1 | PC. |
| A02 | | 781039-9 | WRENCH 13 | 2 | PC. |
| A03 | | 450128-8 | BATTERY COVER | 1 | PC. |
| A04 | 1 | DC18RA | FAST CHARGER DC18RA | 1 | PC. |
| | 2 | DC18RC | FAST CHARGER DC18RC | 1 | PC. |
| | | DC18RAKIT | CHARGER+BATTERY(DC18RA+BL1830) | 1 | SET |
| A05 | | 194205-3 | 18V LI-ION BATTERY BL1830 | 1 | PC. |
| | | 194230-4 | 18V LI-ION BATTERY BL1830 2/PK | 1 | PK |
| | | 194288-3 | 18V LI-ION BATTERY BL1830 10/PK | 1 | PK |
| A06 | 1 | 824975-7 | PLASTIC CARRYING CASE | 1 | PC. |
| | INC. | 162315-4 | LATCH | 2 | PC. |
| | 2 | 141482-8 | PLASTIC CASE COMPLETE | 1 | PC. |
| | INC. | 162315-4 | LATCH | 2 | PC. |
| A07 | | 192985-5 | SIDE HANDLE SET | 1 | SET |

| Item No | Type | Part No | Description | Qty | Unit |
|---------|------|----------|--------------------------------------|-----|------|
| A08 | | 741616-9 | WHEEL POINT 4-19-60 | 1 | PC. |
| | | 741617-7 | WHEEL POINT 1-19-60 | 1 | PC. |
| A09 | | 194649-7 | BATTERY PROTECTOR | 1 | PC. |
| A10 | | 763672-9 | COLLET CONE 1/8" | 1 | PC. |
| A11 | | ----- | ABRASIVE FLAP WHEELS | | |