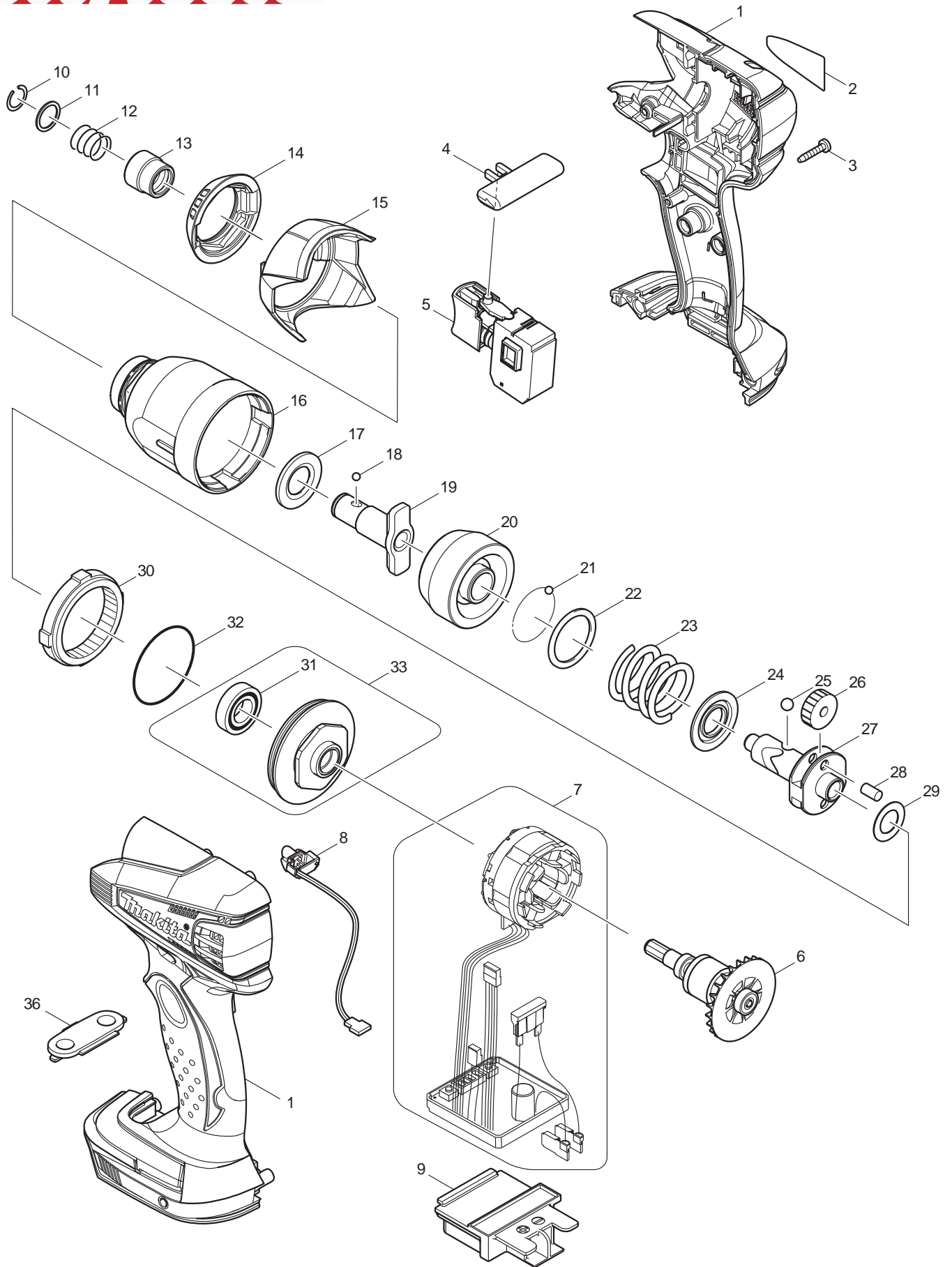




09 - 2011
LXDT01 / LXDT01Z / LXDT01Z1
18V BRUSHLESS IMPACT DRIVER



| Item No. | Type | Sub | Part No. | Description | Q'ty | Unit |
|----------|------|------|----------|---|------|------|
| 1 | | | 188922-5 | HOUSING SET | 1 | SET |
| | | INC. | 263005-3 | RUBBER PIN 6 | 2 | PC. |
| 2 | 1 | | 868514-3 | LXDT01Z NAME PLATE | 1 | PC. |
| | 2 | | 897317-8 | LXDT01Z NAME PLATE | 1 | PC. |
| 3 | 1 | | 266130-9 | TAPPING SCREW BIND PT 3X16 | 9 | PC. |
| | 2 | | 266429-2 | TAPPING SCREW BIND PT 3X16 | 9 | PC. |
| 4 | | | 419041-9 | F/R CHANGE LEVER | 1 | PC. |
| 5 | | | 650632-9 | SWITCH | 1 | PC. |
| 6 | | | 619239-0 | ROTOR | 1 | PC. |
| 7 | | | 638723-6 | STATOR UNIT | 1 | PC. |
| | | INC. | 195262-4 | CONTROLLER SET | 1 | PC. |
| | | INC. | 194923-3 | STATOR SET (Added) (For Repair) | 1 | PC. |
| 8 | | | 631829-9 | LED CIRCUIT | 1 | PC. |
| 9 | | | 643833-6 | TERMINAL | 1 | PC. |
| 10 | | | 231951-8 | RING SPRING 11 | 1 | PC. |
| 11 | | | 267085-1 | FLAT WASHER 12 | 1 | PC. |
| 12 | | | 233005-7 | COMPRESSION SPRING 13 | 1 | PC. |
| 13 | 1 | | 324878-0 | SLEEVE | 1 | PC. |
| | 2 | | 324871-4 | SLEEVE | 1 | PC. |
| 14 | | | 424362-6 | BUMPER | 1 | PC. |
| 15 | | | 452294-7 | HAMMER CASE COVER | 1 | PC. |
| 16 | | | 154590-6 | HAMMER CASE COMPLETE | 1 | PC. |
| 17 | | | 261108-7 | NYLON WASHER 14 | 1 | PC. |
| 18 | | | 216001-0 | STEEL BALL 3.5 | 2 | PC. |
| 19 | | | 325975-5 | ANVIL M | 1 | PC. |
| 20 | | | 325671-5 | HAMMER | 1 | PC. |
| 21 | | | 216001-0 | STEEL BALL 3.5 | 24 | PC. |
| 22 | | | 267175-0 | FLAT WASHER 24 | 1 | PC. |
| 23 | | | 234082-2 | COMPRESSION SPRING 25 | 1 | PC. |
| 24 | | | 267766-7 | CUP WASHER 14 | 1 | PC. |
| 25 | | | 216011-7 | STEEL BALL 5.6 | 2 | PC. |
| 26 | | | 227233-4 | SPUR GEAR 22 | 2 | PC. |
| 27 | | | 324552-0 | SPINDLE | 1 | PC. |
| 28 | | | 256253-1 | PIN 5 | 2 | PC. |
| 29 | | | 267212-0 | FLAT WASHER 12 | 1 | PC. |
| 30 | | | 227150-8 | INTERNAL GEAR 51 | 1 | PC. |
| 31 | | | 211140-1 | BALL BEARING 6901LLB | 1 | PC. |
| 32 | | | 213507-9 | O RING 40 | 1 | PC. |
| 33 | | | 158145-9 | BEARING BOX COMPLETE | 1 | PC. |
| | | INC. | | Item No. 31 | | |
| 36 | | | 140574-0 | SWITCH PLATE COMPLETE | 1 | PC. |
| 100 | | | 266622-8 | + TRUSS HEAD SCREW M4X12(F/HOOK ITEM A02) | 1 | PC. |
| 101 | | | 251314-2 | + SCREW M4X12(F/HOOK ITEM A07) | 1 | PC. |
| 200 | | | 891015-6 | CAUTION LABEL E/F (FOR HOUSING SET) | 1 | PC. |
| C01 | | | 871397-2 | CARTON(F/LXDT01Z) | 1 | PC. |

ACCESSORIES

- See Catalogue or visit www.makita.ca for more accessories information-

| | | | | | | |
|-----|---|------|----------|--------------------------------|---|-----|
| A01 | | | 194205-3 | 18V LI-ION BATTERY BL1830 | 1 | PC. |
| | | | 194230-4 | 18V LI-ION BATTERY BL1830 2/PK | 2 | SET |
| | | | 194309-1 | 18V LI-ION BATTERY BL1815 | 1 | PC. |
| | | | 194428-3 | 18V LI-ION BATTERY BL1815 2/PK | 2 | SET |
| A02 | 1 | | 346317-0 | HOOK(FOR BATTERY BL1830) | 1 | PC. |
| | 2 | | 346449-3 | HOOK(FOR 18V, 14.4V BATTERY) | 1 | PC. |
| A03 | | | 166070-0 | SHOULDER BELT | 1 | PC. |
| A05 | | | 194633-2 | STOPPER SET | 1 | PC. |
| | | INC. | 151760-8 | LOCATOR COMPLETE | 1 | PC. |
| | | INC. | 213373-4 | O RING 22 | 1 | PC. |
| | | INC. | 231280-9 | COMPRESSION SPRING 32 | 1 | PC. |
| A06 | | | 194649-7 | BATTERY PROTECTOR | 1 | PC. |
| | | INC. | 251314-2 | + SCREW M4X12 | 2 | PC. |
| A07 | | | 324705-1 | HOOK(FOR BATTERY BL1830) | 1 | PC. |
| | | | 346034-2 | HOOK(FOR BATTERY BL1815) | 1 | PC. |

| Item No. | Type | Sub | Part No. | Description | Q'ty | Unit |
|----------|------|------|-----------|-----------------------------------|------|------|
| A08 | | | ----- | BIT (SEE CATALOGUE) | 1 | PC. |
| A09 | 1 | | DC18RA | BATTERY CHARGER DC18RA | 1 | PC. |
| | 2 | | DC18RC | BATTERY CHARGER DC18RC | 1 | PC. |
| | | | DC18SD | BATTERY CHARGER DC18SD | 1 | PC. |
| | | | DC18RAKIT | BATTERY BL1830+CHARGER DC18RA KIT | 1 | KIT |
| | | | DC18SE | AUTOMOTIVE CHARGER DC18SE | 1 | PC. |
| | | | DC24SC | CHARGER F/7.2-24V, 1.3-3.3AH | 1 | PC. |
| A10 | | | 450128-8 | BATTERY COVER | 1 | PC. |
| A11 | | | 784643-3 | CONNECT BIT 6.35-44 | 1 | PC. |
| A12 | 1a | | 824753-5 | PLASTIC CARRYING CASE | 1 | PC. |
| | | INC. | 324207-7 | SHAFT | 1 | PC. |
| | | INC. | 413098-2 | PLATE | 1 | PC. |
| | | INC. | 417724-5 | LATCH | 2 | PC. |
| | | INC. | 419215-2A | PLASTIC CASE LID, TAB TYPE | 1 | PC. |
| | 2a | | 141205-4 | PLASTIC CASE COMPLETE | 1 | PC. |
| | | INC. | 324207-7 | SHAFT | 1 | PC. |
| | | INC. | 413098-2 | PLATE | 1 | PC. |
| | | INC. | 417724-5 | LATCH | 2 | PC. |
| | | INC. | 419215-2A | PLASTIC CASE LID, TAB TYPE | 1 | PC. |
| | 1b | | 824812-5 | PLASTIC CARRYING CASE | 1 | PC. |
| | 2b | | 142146-7 | PLASTIC CASE COMPLETE | 1 | PC. |