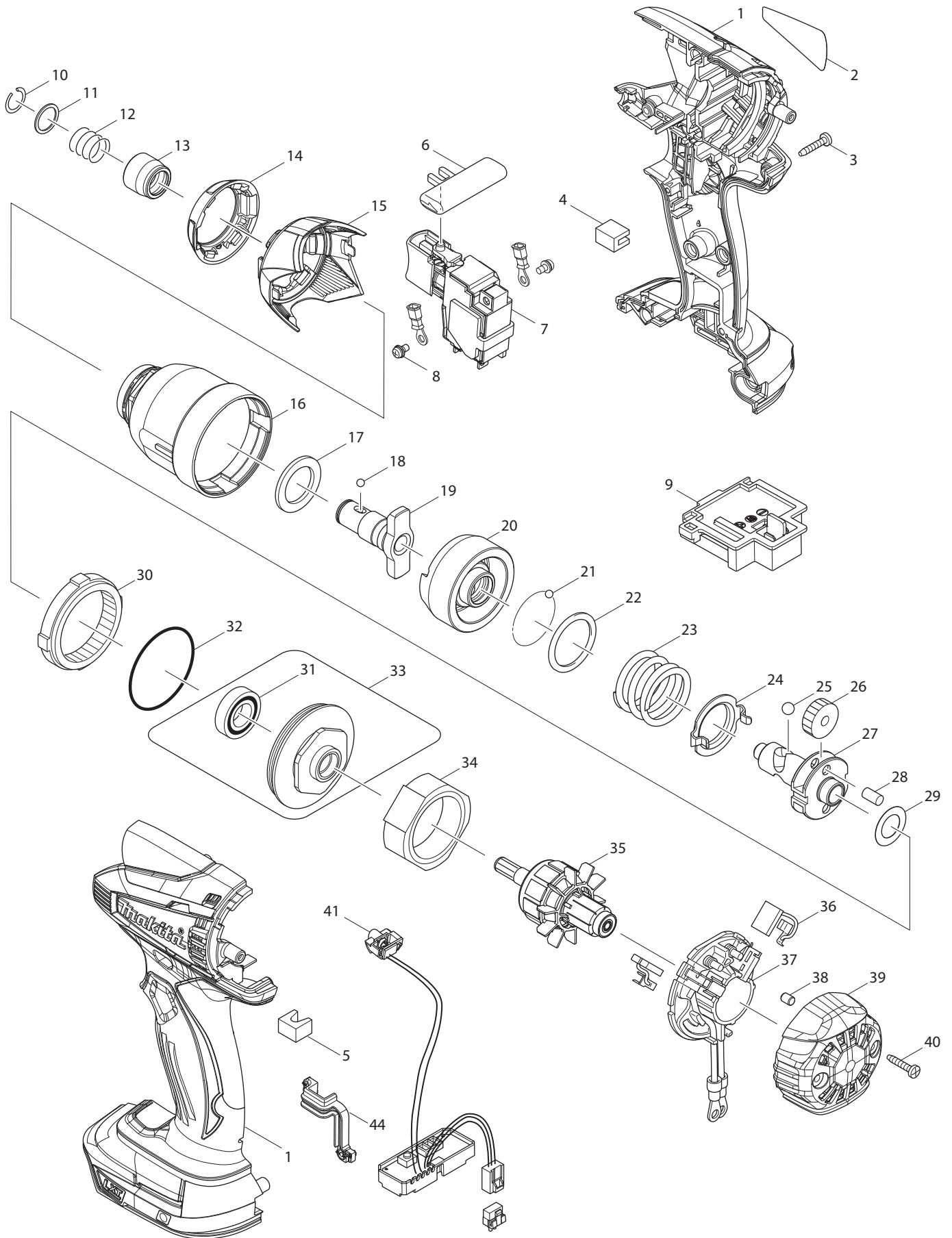




04 - 2010
LXDT03 / LXDT03Z
14.4V IMPACT DRIVER



Item No	Type	Ref	Part No	Description	Qty	Unit
1			187115-1	HOUSING SET	1	PC.
		INC.	263005-3	RUBBER PIN 6	2	PC.
2			896208-0	NAME PLATE LXDT03	1	PC.
3			266429-2	TAPPING SCREW 3X16	8	PC.
4			423423-9	SPONGE B	1	PC.
5			423422-1	SPONGE A	1	PC.
6			419041-9	F/R CHANGE LEVER	1	PC.
7	1		650660-4	SWITCH TG573FSB-2	1	PC.
	2		650723-6	SWITCH TG573FSB-2	1	PC.
8			652045-0	(+) PAN HEAD SCREW M3.5X5	2	PC.
9			643854-8	TERMINAL	1	PC.
10			231951-8	RING SPRING 11	1	PC.
11			267085-1	FLAT WASHER 12	1	PC.
12			233005-7	COMPRESSION SPRING 13	1	PC.
13			326068-1	BIT SLEEVE	1	PC.
14			424429-0	BUMPER	1	PC.
15			452837-5	HAMMER CASE COVER	1	PC.
16			140946-9	HAMMER CASE COMPLETE	1	PC.
17			261151-6	NYLON WASHER 19	1	PC.
18	1		216001-0	STEEL BALL 3.5	2	PC.
	2		216040-0	STEEL BALL 3.5	2	PC.
19			326069-9	ANVIL M	1	PC.
20			326054-2	HAMMER	1	PC.
21	1		216001-0	STEEL BALL 3.5	24	PC.
	2		216040-0	STEEL BALL 3.5	24	PC.
22			267175-0	FLAT WASHER 24	1	PC.
23			233430-2	COMPRESSION SPRING 24	1	PC.
24			346466-3	PLATE	1	PC.
25	1		216011-7	STEEL BALL 5.6	2	PC.
	2		216041-8	STEEL BALL 5.6	2	PC.
26			227233-4	SPUR GEAR 22	2	PC.
27			326066-5	SPINDLE	1	PC.
28			256253-1	PIN 5	2	PC.
29			253362-7	THIN WASHER 12	1	PC.
30			227150-8	INTERNAL GEAR 51	1	PC.
31			211140-1	BALL BEARING 6901LLB	1	PC.
32			213507-9	O RING 40	1	PC.
33			158145-9	BEARING BOX COMPLETE	1	PC.
		INC.		Item No. 31		
34			638396-5	YOKE UNIT	1	PC.
35	1		619244-7	ARMATURE	1	PC.
	2		619370-2	ARMATURE	1	PC.
36			195021-6	CARBON BRUSH CB-440 2PC/SET, W/ ORIGIN	1	SET
37			638387-6	BRUSH HOLDER COMPLETE	1	PC.
38			263032-0	RUBBER PIN 4	2	PC.
39			452832-5	REAR COVER, BLUE	1	PC.
40			266429-2	TAPPING SCREW 3X16	2	PC.
41			620053-9	LED CIRCUIT	1	PC.
44			424430-5	SEAL	1	PC.
100			266622-8	(+) TRUSS HEAD SCREW M4X12 (F/ Item No. A02)	1	PC.
101			251314-2	(+) SCREW M4X12 (F/Item No.A10)	1	PC.
C01			872474-3	CARTON FOR LXDT03	1	PC.
C01A			872463-8	CARTON FOR LXDT03Z	1	PC.
E01			893888-3	CAUTION LABEL (F/ Item No.1)	1	PC.

Item No	Type	Ref	Part No	Description	Qty	Unit
ACCESSORIES			- See Catalogue or visit www.makita.ca for more accessories -			
A02	1		346317-0	HOOK, COMPACT BELT CLIP, BL1830/BL1430	1	PC.
	2		346449-3	HOOK, COMPACT BELT CLIP, 18V, 14.4V LI-ION BATTERY	1	PC.
A03			450128-8	BATTERY COVER	1	PC.
A04	1		DC18RA	CHARGER DC18RA	1	PC.
	2		DC18RC	CHARGER DC18RC	1	PC.
			DC18SD	CHARGER DC18SD	1	PC.
			DC24SC	CHARGER DC24SC	1	PC.
			DC18SE	AUTOMOTIVE CHARGER DC18SE	1	PC.
A05			194066-1	14.4V LI-ION BATTERY BL1430	1	PC.
			194559-8	14.4V LI-ION BATTERY BL1415	1	PC.
			194397-8	14.4V LI-ION BATTERY BL1430, 2/PK	2	PK
A06	1		824953-7	PLASTIC CARRYING CASE FOR LXDT03	1	PC.
		INC.	162302-3	LATCH	2	PC.
		INC.	324207-7	SHAFT	1	PC.
		INC.	451749-9	HANDLE	1	PC.
	2		821521-7	PLASTIC CARRYING CASE	1	PC.
		INC.	162302-3	LATCH	2	PC.
		INC.	324207-7	SHAFT	1	PC.
		INC.	451749-9	HANDLE	1	PC.
	3		141856-3	PLASTIC CARRYING CASE COMPLETE	1	PC.
		INC.	162302-3	LATCH	2	PC.
		INC.	324207-7	SHAFT	1	PC.
		INC.	451749-9	HANDLE	1	PC.
A07			763067-6	3/8" DRILL CHUCK	1	PC.
A08			194633-2	ADJUSTABLE DEPTH GAGUE	1	PC.
A09			194649-7	BATTERY PROTECTOR(F/BL1430)	1	PC.
		INC.	251314-2	(+) SCREW M4X12	2	PC.
A10			324705-1	HOOK F/ BL1430, BL1830	1	PC.
			346034-2	HOOK F/BL1415, BL1815	1	PC.
A11			763415-9	CHUCK KEY (F/DRILL CHUCK #763067-6)	1	PC.
A12			784643-3	CONNECT BIT 6.35-44 (F/DRILL CHUCK)	1	PC.
A13			195927-8	TOOL CATCHER SET	1	PC.

SERVICE CHANGES

1. Changes on Armature

(TI#A6593)			
Item No.	Description	Type 1	Type 2
035	Armature	619244-7	619370-2

