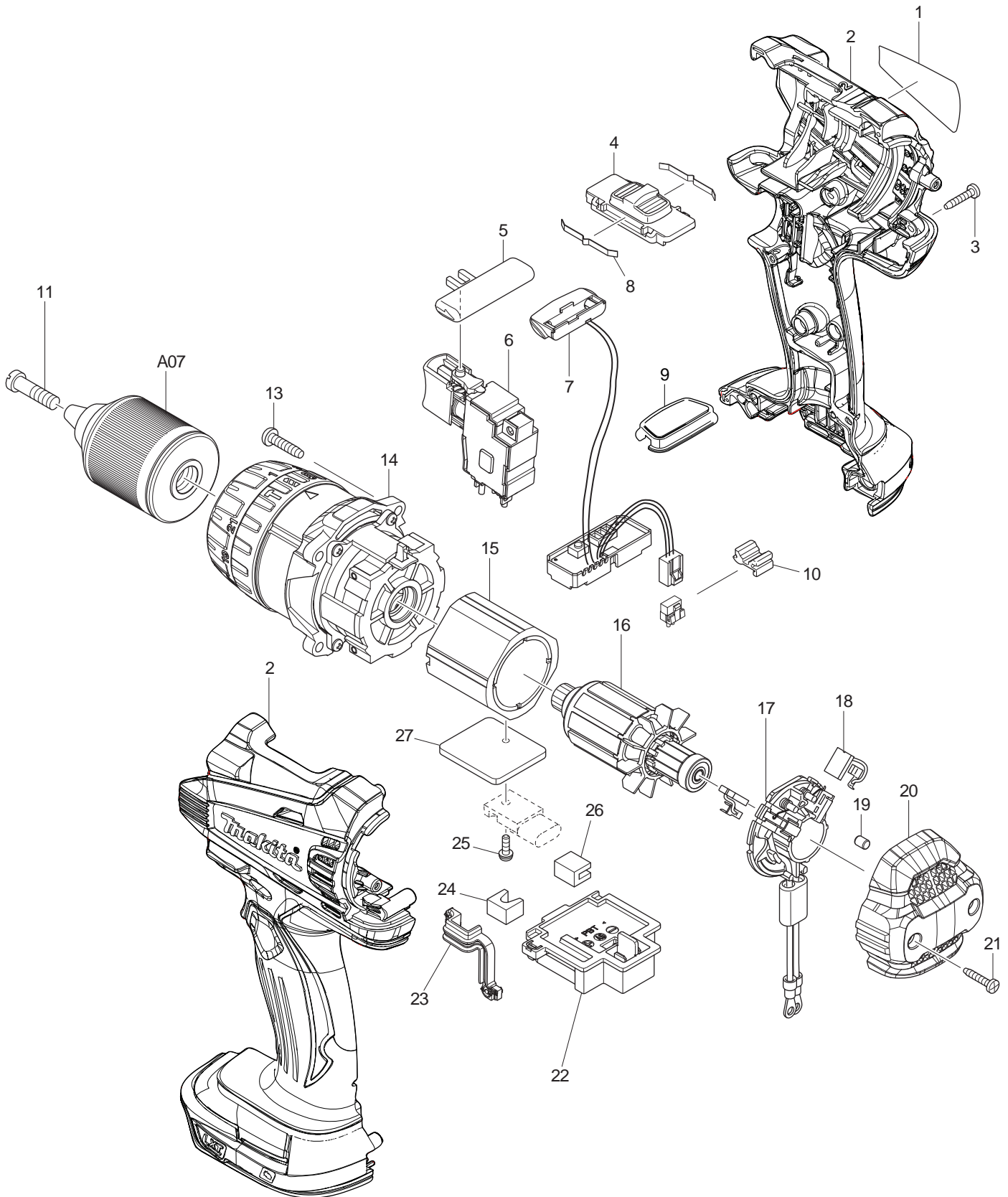




03 - 2013
LXPH03X / LXPH03ZX / LXPH03ZX1
LXPH03/LXPH03Z W/FUEL GAUGE



Item No	Type	Ref	Part No	Description	Qty	Unit
1			897154-0	LXPH03 NAME PLATE	1	PC.
2			187430-3	HOUSING SET	1	SET
		INC	263005-3	RUBBER PIN 6	2	PC.
		INC	252126-6	HEX. LOCKING NUT M4-7	2	PC.
3			266130-9	TAPPING SCREW BIND PT 3X16	7	PC.
4			126100-9	SPEED CHANGE LEVER ASSEMBLY	1	PC.
		INC	233438-6	COMPRESSION SPRING 4	2	PC.
5			419250-0	F/R CHANGE LEVER	1	PC.
6	1		650682-4	SWITCH TG573FSB-3	1	PC.
	2		650724-4	SWITCH TG573FSB-3	1	PC.
7			620138-1	LIGHT CIRCUIT	1	PC.
8			232220-0	LEAF SPRING	2	PC.
9			140963-9	SWITCH PLATE COMPLETE	1	PC.
10	1		424026-2	CUSHION	1	PC.
	2		424476-1	CUSHION	1	PC.
11			251468-5	- FLAT HEAD SCREW M6X22	1	PC.
13			265995-6	TAPPING SCREW 4X18	4	PC.
14	1	*	126099-8	GEAR ASSEMBLY	1	PC.
	2	*	126448-9	GEAR ASSEMBLY	1	PC.
15			638989-8	YOKE UNIT	1	PC.
16			619301-1	ARMATURE	1	PC.
17			638614-1	BRUSH HOLDER COMPLETE	1	PC.
18			195021-6	CARBON BRUSH CB-440 2PC/SET	1	SET
19			263032-0	RUBBER PIN 4	2	PC.
20			453394-6	REAR COVER	1	PC.
21			266130-9	TAPPING SCREW BIND PT 3X16	2	PC.
22	1		643859-8	TERMINAL	1	PC.
	2		644808-8	INSULATOR COMPLETE	1	PC.
23			424430-5	SEAL	1	PC.
24			423422-1	SPONGE A	1	PC.
25			911013-5	PAN HEAD SCREW M3X10	1	PC.
26			423423-9	SPONGE B	1	PC.
27			689176-2	HEAT SINK	1	PC.
100			251314-2	+SCREW M4X12 (F/Hook & BIT HOLDER)	2	PC.
C01A			873157-8	CARTON F/LXPH03Z, LXPH03ZX	1	PC.
D01			652045-0	+PAN HEAD SCREW M3.5X5	2	PC.
E01			810300-8	CAUTION LABEL, FR/SP	1	PC.

ACCESSORIES

- See Catalogue or visit www.makita.ca for more accessories -

A01			126131-8	GRIP ASSEMBLY	1	PC.
		INC	154935-8	GRIP 36 COMPLETE	1	PC.
		INC	266750-9	SQUARE BOLT M8X100	1	PC.
		INC	346566-9	GRIP SPRING 60	1	PC.
		INC	453584-1	GRIP BASE 60	1	PC.
		INC	265785-7	THUMB SCREW M5X10	1	PC.
		INC	931202-6	HEX. NUT M5	1	PC.
A03			346449-3	HOOK,COMPACT,F/14.4V,18V BATTERY	1	PC.
A04			452947-8	BIT HOLDER	1	PC.
A05			784637-8	+ BIT 2-45	2	PC.
A06			122576-8	STOPPER POLE ASS'Y	1	PC.
A07			766015-4	KEYLESS DRILL CHUCK 13	1	PC.
A08			194205-3	18V LI-ION BATTERY BL1830	1	PC.
			194230-4	18V LI-ION BATTERY BL1830 2/PK	1	PK.
			194288-3	18V LI-ION BATTERY BL1830 10/PK	1	PK.

Item No	Type	Ref	Part No	Description	Qty	Unit
A09	1	2	DC18RA	CHARGER DC18RA	1	PC.
			DC18RC	CHARGER DC18RC	1	PC.
			DC18SD	CHARGER DC18SD	1	PC.
			DC24SD	CHARGER DC24SC	1	PC.
			DC18SE	AUTOMOTIVE CHARGER DC18SE	1	PC.
A10			450128-8	BATTERY COVER F/LI-ION	1	PC.

SERVICE CHANGES

1. Changes on Gear Assy

(T#A1830)

Item No.	Description	Type 1	Type 2
14	GEAR ASSEMBLY	126099-8	126448-9

Type 1

Type 2

