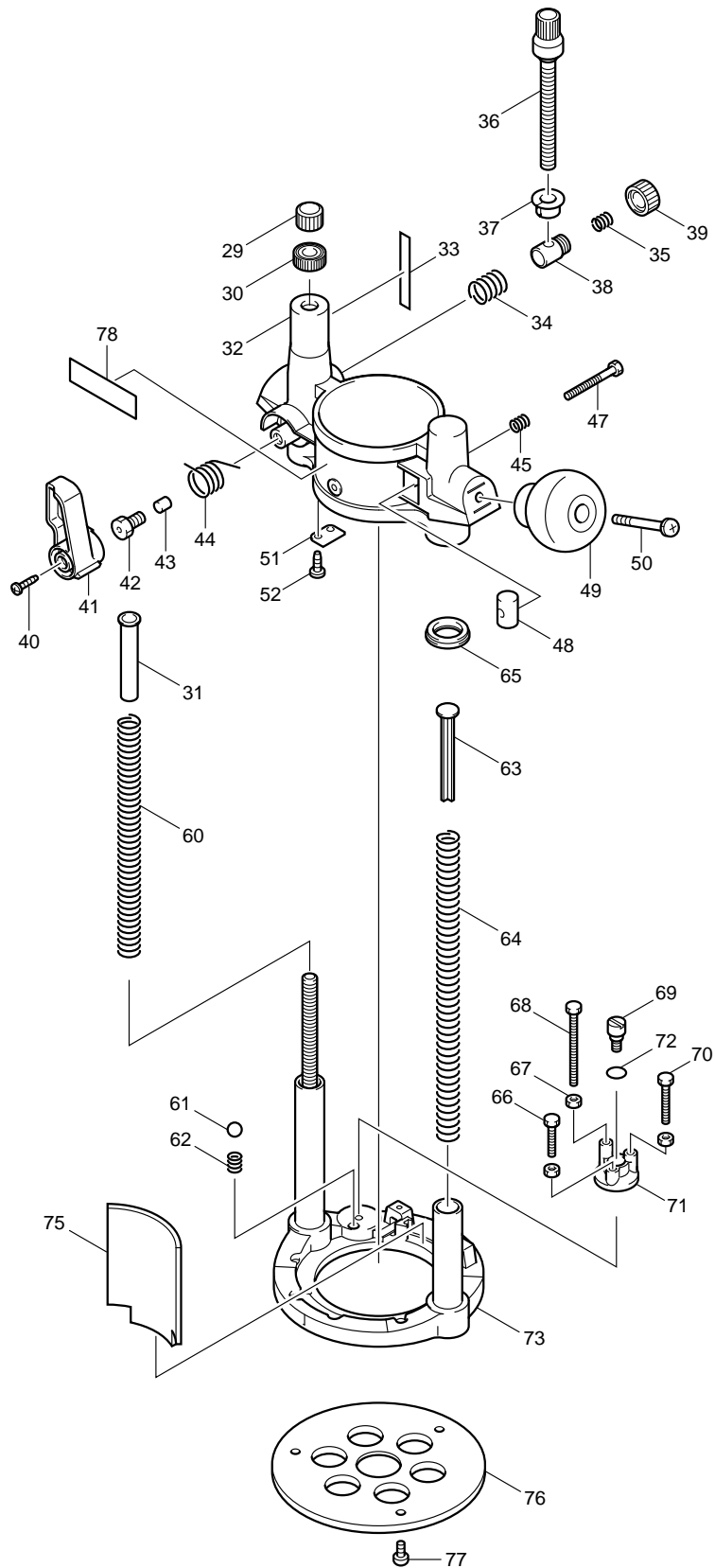


# 193457-3 - Plunge Router Base Assembly



Item No.	Part No.	Qty. Used	Description	Item No.	Part No.	Qty. Used	Description
1	812990-3	1	INDICATION LABEL	49	253853-8	1	FLAT WASHER
2	417140-1	1	REAR COVER	<b>193457-3 - PLUNGE ROUTER BASE ASSEMBLY</b>			
3	266203-8	3	T.SCREW BIND CT 4X40	29	252643-6	1	WING NUT M10
4	651423-1	1	SWITCH	30	410129-8	1	NYLON NUT M10
5	631397-2	1	CONTROLLER	31	417320-9	1	SILENT POLE
6	417143-5	1	CONTROLLER HOLDER	32	183358-3	1	SLIDE BASE (INCL. FIG. 33)
7	265995-6	2	TAPPING SCREW 4X18	33	816804-8	1	SCALE PLATE INCH
8	687052-4	1	STRAIN RELIEF	34	231231-2	1	COMPRESSION SPRING 12
9	266034-5	1	T.SCREW CT 4X16	35	231419-4	1	COMPRESSION SPRING 5
10	687100-9	1	STRAIN RELIEF	36	265749-1	1	SCREW 3/8-16UNC
11	565056-5	1	POWER SUPPLY CORD (INCL 1 EA. 654110-1 INSULATED RECEPTACLE, 654113-5 TERMINAL 34108, & 682505-8CORD GUARD 10-90)	37	417548-9	1	DEPTH POINTER
13	652014-1	1	PAN HEAD SCREW M4X8	38	324104-7	1	HALF NUT
14	151879-3	1	MOTOR REAR HOUSING COMPLETE (INCL. 2 EA. 643708-9 BRUSH HOLDER 5-11)	39	252644-4	1	THUMB NUT M14
15	594356-6	1	FIELD ASS'Y 115V (INCL. 1 EA. 654069-2 RECEPTACLE; 2 EA. 654020-2 RING TERMINAL, & 654501-6 CONNECTOR P-1.25)	40	911118-1	1	PAN HEAD SCREW M4X12
16	417136-2	1	BAFFLE PLATE	41	417546-3	1	LEVER 55
17	911686-4	2	PAN HEAD SCREW M5X65	42	266275-3	1	SET BOLT B8X16
18	210005-4	1	BALL BEARING 608DDW	43	323856-7	1	LOCK PIN
19	681650-6	1	INSULATION WASHER	44	231651-0	1	TORSION SPRING 16
20	518633-2	1	ARMATURE ASS'Y 115V (INCL. FIG. 18, 19, & 21)	45	231456-8	1	COMPRESSION SPRING 7
21	240031-9	1	FAN 60	47	911273-9	1	PAN HEAD SCREW M5X50
22	265081-3	3	P.H.SCREW W3/16-24X10	48	324105-5	1	LOCK NUT M5
23	417138-8	1	BASE PLATE	49	271313-8	2	KNOB 55
24	911378-5	2	PAN HEAD SCREW M6X55	50	911378-5	2	PAN HEAD SCREW M6X55
25	271313-8	2	KNOB 55	51	344217-8	1	GUIDE PLATE
26	931301-4	2	HEX. NUT M6	52	266026-4	2	TAPPING SCREW BIND CT 4X12
28	151880-8	1	ROUTER BASE COMPLETE	60	233303-9	1	COMPRESSION SPRING 13
29	252014-7	1	HEX. LOCK NUT M6-10	61	216009-4	1	STEEL BALL 7.1
30	323968-6	1	SUPPORT PIN	62	231419-4	1	COMPRESSION SPRING 5
31	344852-2	1	PLATE	63	417252-0	1	POLE
32	344851-4	1	LOCK LEVER	64	233302-1	1	COMPRESSION SPRING 12
33	268063-4	1	PIN 4	65	213323-9	2	DUST SEAL 20
34	961056-7	1	RETAINING RING S-16	66	265333-2	1	HEX. BOLT M5X16
35	763642-8	1	COLLET NUT	67	931202-6	3	HEX. NUT M5
36	763643-6	1	COLLET CONE 12.7	68	265336-6	1	HEX. BOLT M5X40
37	763641-0	1	COLLET BODY	69	251467-7	1	FLAT HEAD SCREW M6
38	266035-3	2	T. SCREW BIND CT 5X12	70	265335-8	1	HEX. BOLT M5X28
39	285689-7	1	BEARING RETAINER 55	71	315931-3	1	STOPPER
40	211228-7	1	BALL BEARING 6202DDW	72	213030-4	1	O RING 8
41	417137-0	1	SCALE RING	73	152878-8	1	BASE COMPLETE
42	317319-3	1	MOTOR HOUSING	75	417547-1	1	CHIP DEFLECTOR
45	191963-2	1	CARBON BRUSH CB-303 SET	76	417138-8	1	BASE PLATE
46	681009-7	2	WASHER	77	265081-3	3	P.H. SCREW W3/16-24X10
47	643750-0	2	BRUSH HOLDER CAP	78	813916-8	1	INDICATION LABEL EN/FR
48	681655-6	2	HOLDER RING	<b>ACCESSORIES</b>			
				A01	193214-9	1	COLLET CONE 6.35
				A02	193234-3	2	WRENCH 27
				A03	781213-9	1	WRENCH 8
				A04	193379-7	1	DUST NOZZLE
				A05	193155-9	1	BASE PLATE
				A06	193073-1	1	STRAIGHT GUIDE
				A07	824648-2	1	PLASTIC TOOL CASE
				B01	193215-7	1	COLLET CONE 12.7