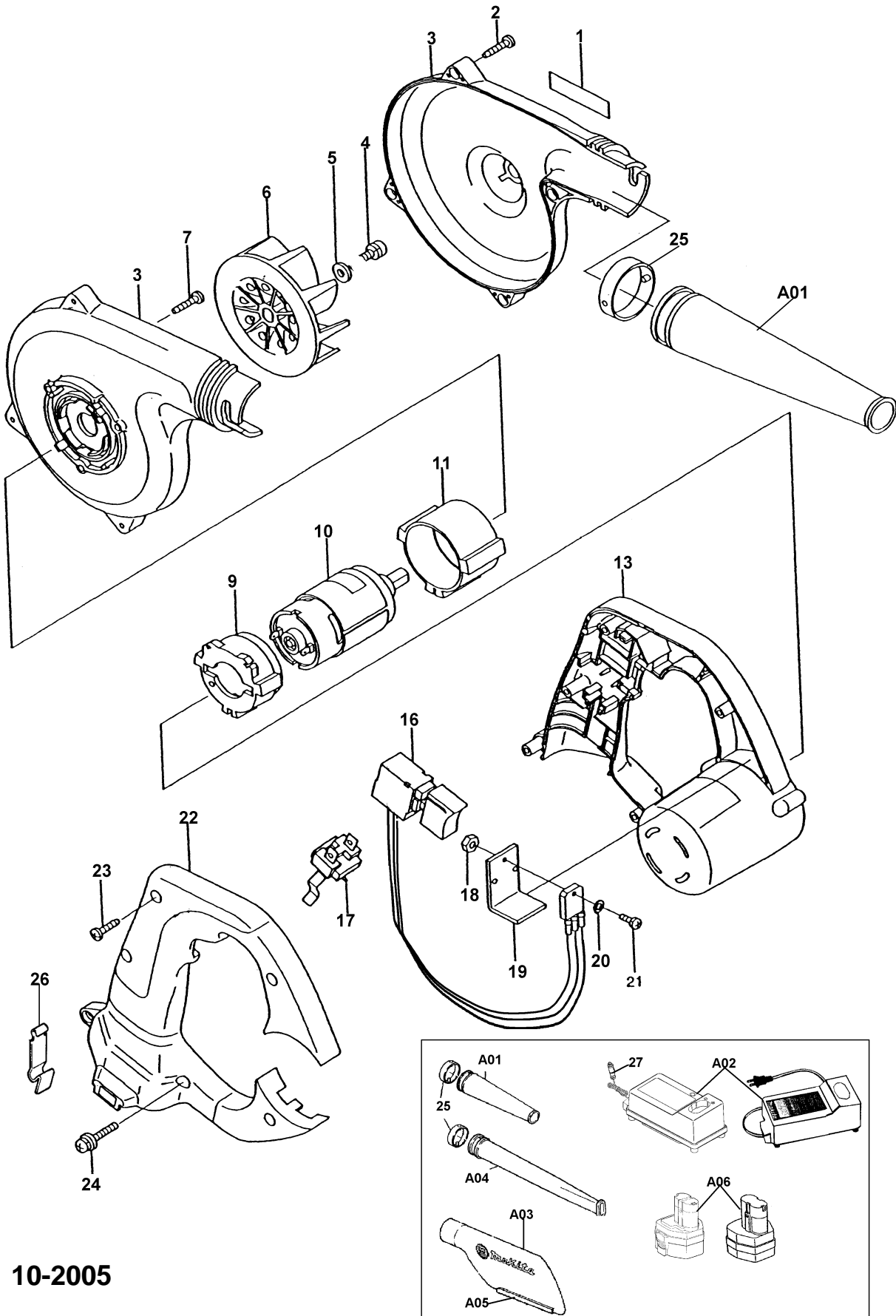


Makita Canada Inc.

Makita

12V CORDLESS BLOWER
14.4V CORDLESS BLOWER
18V CORDLESS BLOWER

Model UB121DZ
Model UB141DZ
Model UB181DZ



10-2005

Item No.	Part No.	No. Used	Description	Item No.	Part No.	No. Used	Description
1	819063-3	1	Makita Label	24	KW00000310	1	Screw M4X22
2	KW00000210	4	Tapping Screw 4X18	25	414145-2	1	Joint
3	KW00000090	1	Fan Housing Com.	26	343579-1	1	Set Plate (UB121DZ)
4	KW00000220	1	P.H. Screw M5X8	27	655000-B	1	Plug for Cigarette Lighter
5	KW00000170	1	Flat Washer 5				
6	KW00000100	1	Fan				
7	KW00000210	3	Tapping Screw 4X18				
9	KW00000140	1	Motor Rubber Ring A				
10	KW00000240	1	DC Motor (UB121DZ) (Includes KW00000430 - Spindle)	A01	132025-7	1	Nozzle Assy (Includes Item 25)
	KW00000350	1	DC Motor (UB141DZ) (Includes KW00000430 - Spindle)	A02	DC1411	1	DC1411 Fast Charger F/7.2V ~ 14.4V - 1.3Ah ~ 3.0Ah Ni-Cad & Ni-MH Batteries
	KW00000390	1	DC Motor (UB181DZ) (Includes KW00000430 - Spindle)		DC1422	1	12V Automotive Charger F/7.2V ~ 14.4V - 1.3Ah ~ 3.0Ah Ni-Cad & Ni-MH Batteries(Includes Item 27)
11	KW00000150	1	Motor Rubber Ring B		DC1439	1	DC1439 Rapid Charger F/7.2V ~ 14.4V - 1.3Ah ~ 3.0Ah Ni-Cad & Ni-MH Batteries
13	KW00000130	1	Motor Housing (UB121DZ)		DC1801	1	DC1811 Fast Charger F/7.2V ~ 18V - 1.3Ah ~ 3.0Ah Ni-Cad & Ni-MH Batteries
	KW00000360	1	Motor Housing (UB141DZ)				
	KW00000400	1	Motor Housing (UB181DZ)				
16	KW00000230	1	Switch	A03	122321-1	1	Dust Bag Assy (Includes Item A05)
17	643909-9	1	Battery Holder	A04	134182-7A	1	Nozzle Assy (Includes Item 25)
18	KW00000280	1	Nut M3	A05	410602-8	1	Fastener
19	KW00000200	1	Heat Sink	A06	-----	1	12V Battery (UB121DZ) (See Catalogue for Details)
20	KW00000270	1	Spring Washer M3		-----	1	14.4V Battery (UB141DZ) (See Catalogue for Details)
21	KW00000260	1	Screw M3X8		-----	1	18V Battery (UB181DZ)
22	KW00000120	1	Handle Cover (UB121DZ)				
	KW00000370	1	Handle Cover (UB141DZ)				
	KW00000410	1	Handle Cover (UB181DZ)				
23	KW00000210	5	Tapping Screw 4X18				

2 Model UB121DZ
2 Model UB141DZ
2 Model UB181DZ