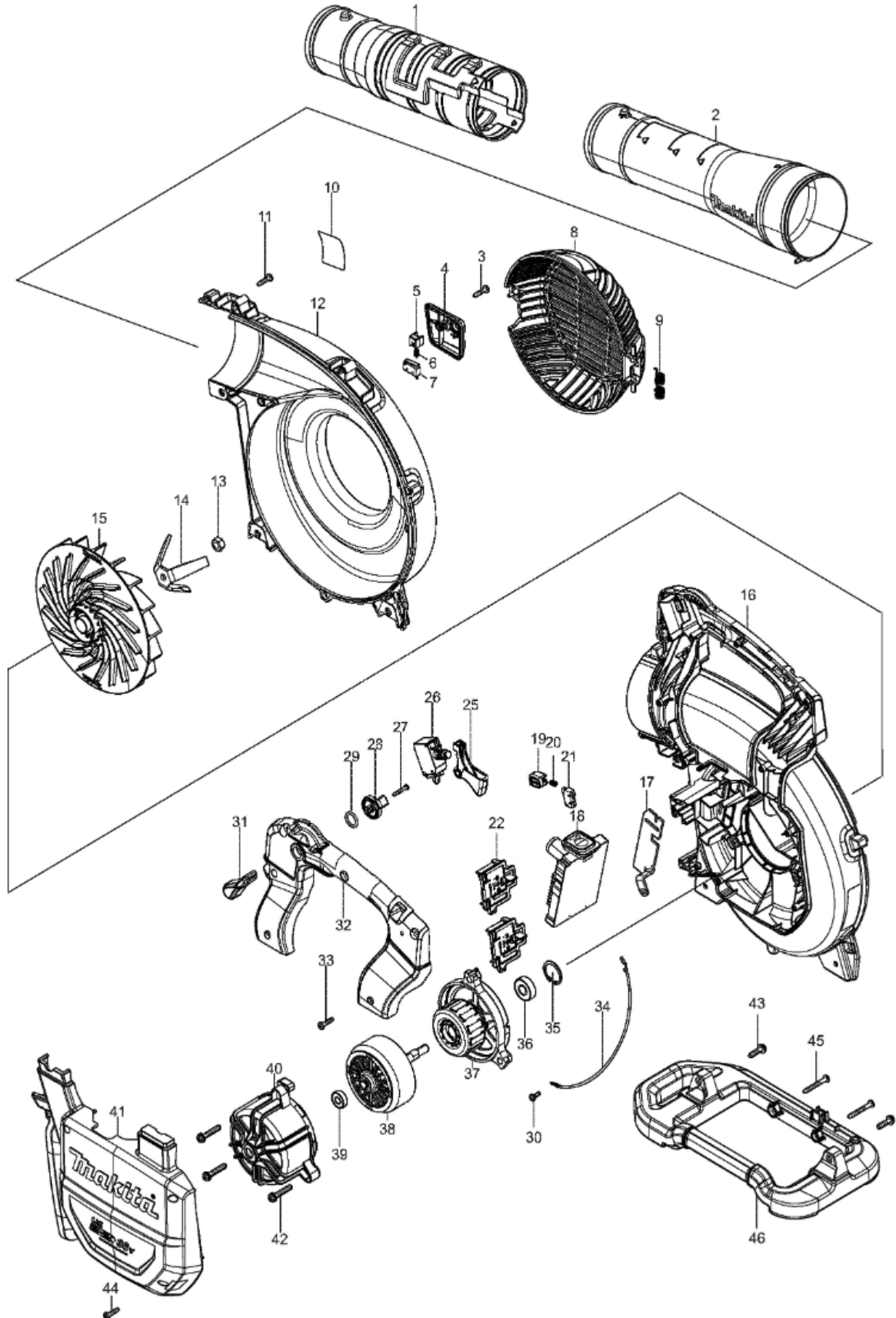




XBU04

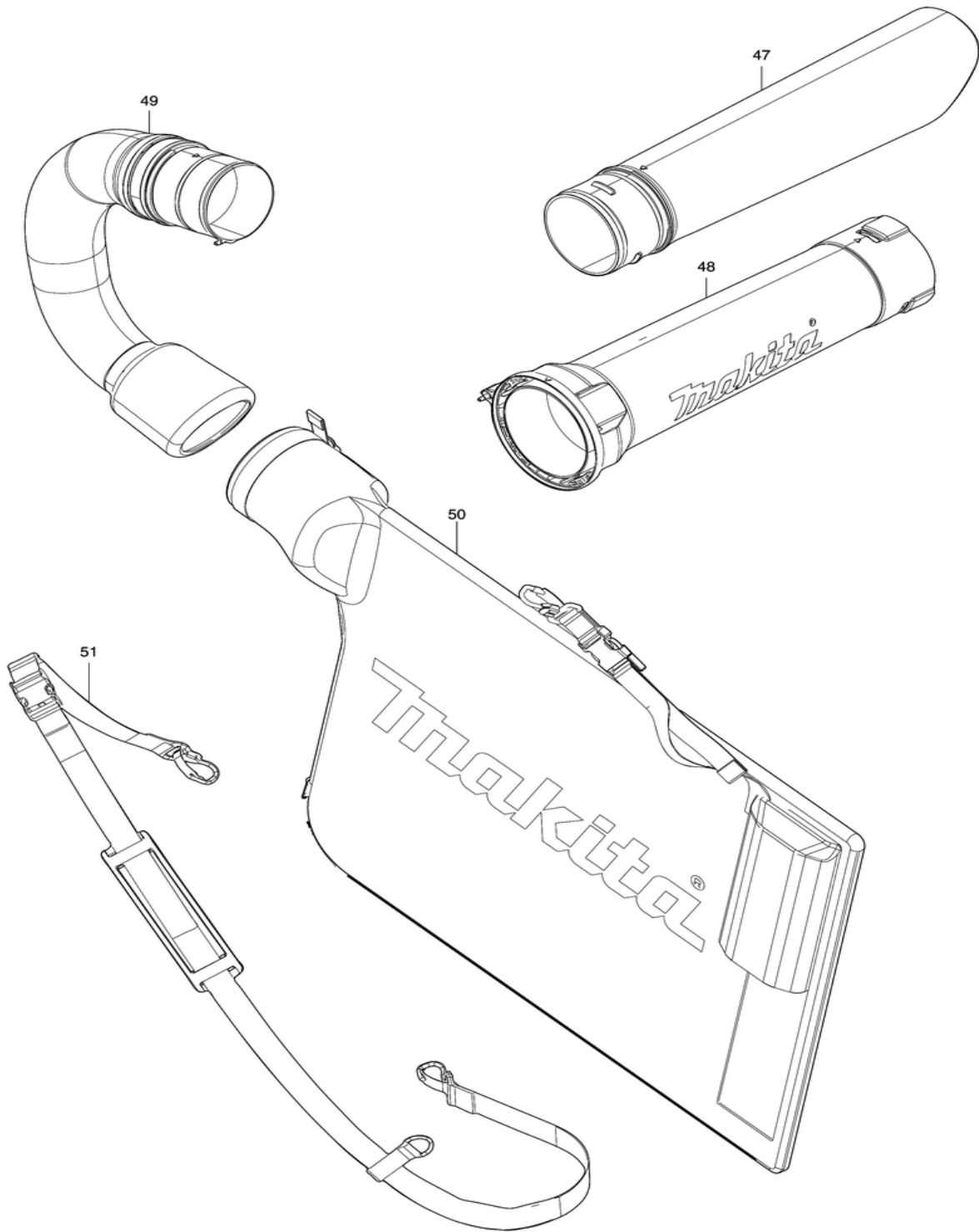


Products with multiple versions are listed in subsiding order with the newest version on top not indented.

Section	Fig. No.	Part No.	Description	XB0U4	Tech Bulletin	Notes
1	1	459798-0	END NOZZLE 72	1		
1	2	183R06-2	PIPE 90-72 ASSEMBLY	1		
1	3	266326-2	TAPPING SCREW 4X18	1		
1	4	459790-6	SWITCH COVER	1		
1	5	459793-0	PUSHER A	1		
1	6	233118-4	COMPRESSION SPRING 4	1		
1	7	632L94-5	SWITCH UNIT	1		
1	8	127424-6	FAN COVER ASSEMBLY	1		
1	9	232600-0	TORSION SPRING 8	1		
1	11	266326-2	TAPPING SCREW 4X18	6		
1	12	459784-1	VOLUTE CASE R	1		
1	13	252154-1	HEX. NUT M8-13	1		
1	14	347570-1	SHREDDER	1		
1	15	240204-4	FAN 180	1		
1	16	140S60-5	VOLUTE CASE L COMPLETE	1		
1	17	347718-5	EARTH PLATE	1		
1	18	140S58-2	CONTROLLER COMPLETE	1		
1	19	459794-8	PUSHER B	1		
1	20	233118-4	COMPRESSION SPRING 4	1		
1	21	632L94-5	SWITCH UNIT	1		
1	22	644809-6	TERMINAL	2		
1	25	459791-4	SWITCH LEVER	1		
1	26	651438-8	SWITCH C3JW-6B-PAN	1		
1	27	266127-8	+ TAPPING SCREW PT 3X20	1		
1	28	459698-4	LINK	1		
1	29	213154-6	O RING 14	1		
1	30	652008-6	PAN HEAD SCREW M3.5X7	1		
1	31	459792-2	CONTROL LEVER	1		
1	32	459788-3	GRIP L	1		
1	33	266326-2	TAPPING SCREW 4X18	6		
1	34	632P80-0	LEAD UNIT	1		
1	35	962105-3	RETAINING RING R-26	1		
1	36	210059-1	BALL BEARING 6000DDW	1		

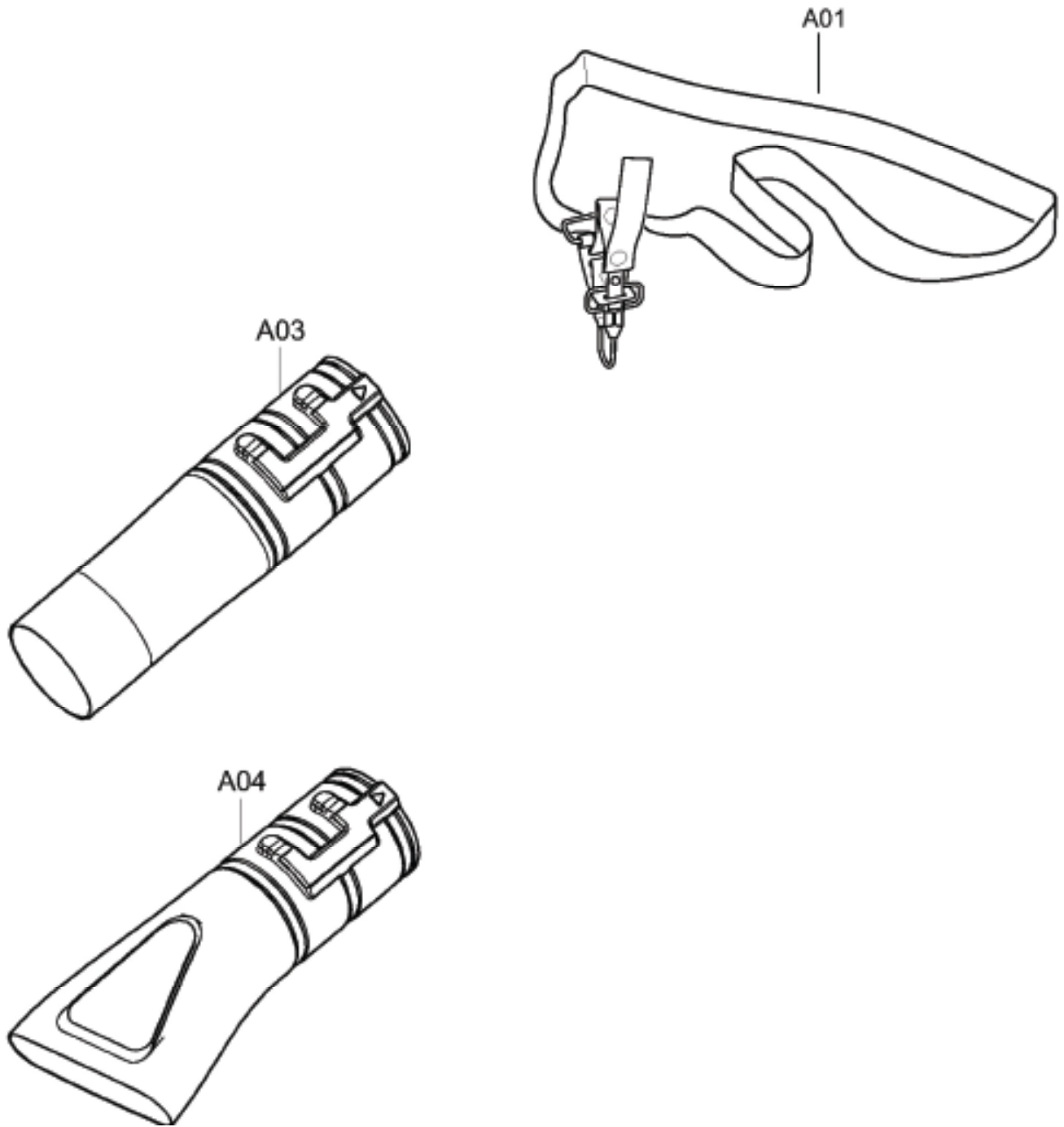
Products with multiple versions are listed in subsiding order with the newest version on top not indented.

Section	Fig. No.	Part No.	Description	XBU04	Tech Bulletin	Notes
1	37	629473-4	STATOR COMPLETE	1		
1	38	619609-3	ROTOR	1		
1	39	210017-7	BALL BEARING 607DDW	1		
1	40	459789-1	MOTOR HOUSING	1		
1	41	140N74-4	MOTOR COVER COMPLETE	1		
1	42	911253-5	PAN HEAD SCREW M5X30	3		
1	43	911233-1	PAN HEAD SCREW M5X20	2		
1	44	266326-2	TAPPING SCREW 4X18	7		
1	45	266351-3	TAPPING SCREW 4X35	2		
1	46	459787-5	SUB HANDLE	1		



Products with multiple versions are listed in subsiding order with the newest version on top not indented.

Section	Fig. No.	Part No.	Description	XBU04	Tech Bulletin	Notes
2	47	459800-9	VACUUM PIPE B	1		
2	48	127425-4	VACUUM PIPE A ASSEMBLY	1		
2	49	127502-2	BENT PIPE 90 ASSMBLY	1		
2	50	162697-4	DUST BAG	1		
2	51	162698-2	BAND 30 COMPLETE	1		



Products with multiple versions are listed in subsiding order with the newest version on top not indented.

Section	Fig. No.	Part No.	Description	XBU04	Tech Bulletin	Notes
3	A01	166094-6	SHOULDER STRAP	1		
3	A03	197888-8	EXTENSION NOZZLE	1		
3	A04	197889-6	FLAT NOZZLE	1		