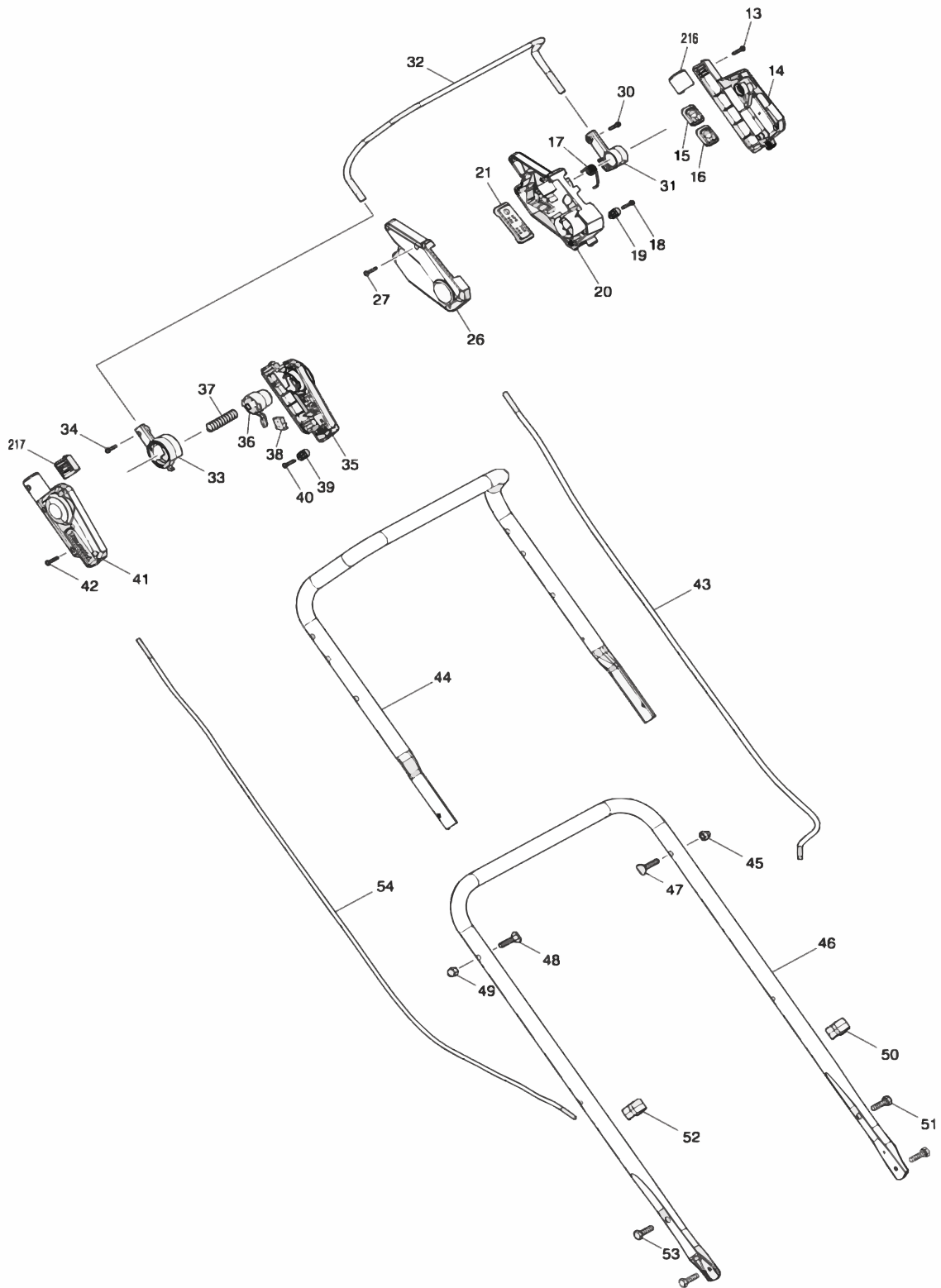




**XML07**

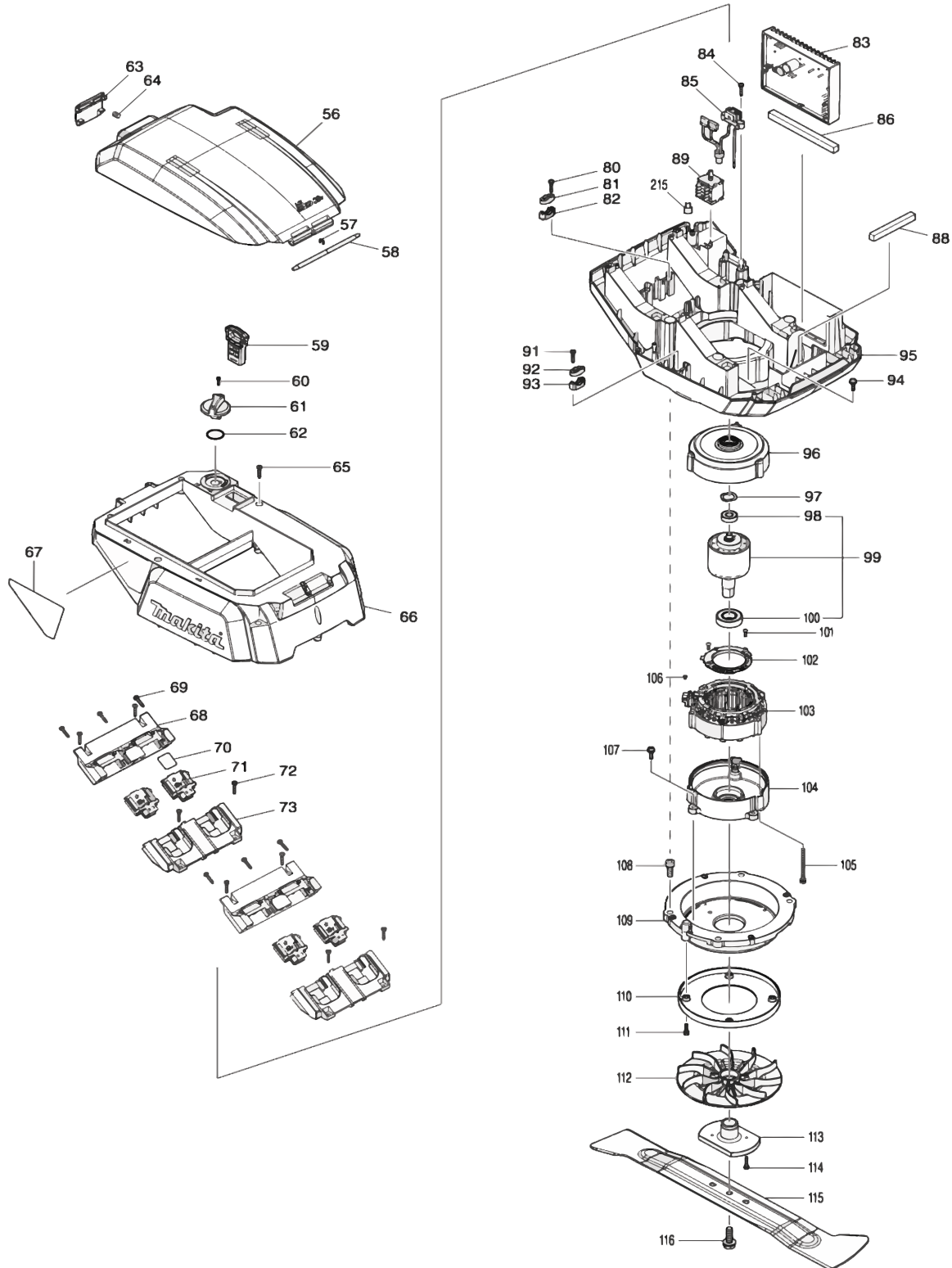


Products with multiple versions are listed in subsiding order with the newest version on top not indented.

| Section | Fig. No. | Part No. | Description                 | XML07 | Tech Bulletin | Notes           |
|---------|----------|----------|-----------------------------|-------|---------------|-----------------|
| 1       | 13       | 266424-2 | TAPPING SCREW 4X20          | 6     |               |                 |
| 1       | 14       | 183N81-4 | SWITCH BOX SET              | 1     |               | INC. 26         |
| 1       | 15       | 140F09-7 | SWITCH CIRCUIT COMPLETE     | 1     |               |                 |
| 1       |          | 810d46-0 | SWITCH LABEL                | 1     |               | INC WITH FIG 15 |
| 1       | 16       | 140F10-2 | SWITCH CIRCUIT COMPLETE     | 1     |               |                 |
| 1       |          | 818A74-1 | SWITCH LABEL                | 1     |               | INC WITH FIG 16 |
| 1       | 17       | 232575-3 | TORSION SPRING 12           | 1     |               |                 |
| 1       | 18       | 266424-2 | TAPPING SCREW 4X20          | 2     |               |                 |
| 1       | 19       | 687124-5 | STRAIN RELIEF               | 1     |               |                 |
| 1       | 20       | 459908-9 | SWITCH BOX                  | 1     |               |                 |
| 1       | 21       | 620C48-0 | INDICATION CIRCUIT COMPLETE | 1     |               |                 |
| 1       |          | 8007C8-5 | INDICATION LABEL            | 1     |               | INC WITH FIG 21 |
| 1       | 26       | 183N81-4 | SWITCH BOX SET              | 1     |               | INC. 14         |
| 1       | 27       | 266424-2 | TAPPING SCREW 4X20          | 5     |               |                 |
| 1       | 30       | 911138-5 | PAN HEAD SCREW M4X20        | 1     |               |                 |
| 1       | 31       | 459863-5 | SWITCH LEVER SUPPORT L      | 1     |               |                 |
| 1       |          | 931102-0 | HEX NUT M4                  | 1     |               | INC WITH FIG 31 |
| 1       | 32       | 327424-8 | SWITCH LEVER                | 1     |               |                 |
| 1       | 33       | 459856-2 | SWITCH LEVER SUPPORT R      | 1     |               |                 |
| 1       |          | 931102-0 | HEX NUT M4                  | 1     |               | INC WITH FIG 33 |
| 1       | 34       | 911138-5 | PAN HEAD SCREW M4X20        | 1     |               |                 |
| 1       | 35       | 183P40-0 | LEVER BOX SET               | 1     |               | INC. 41         |
| 1       |          | 8007V6-9 | INDICATION LABEL            | 1     |               | INC WITH FIG 35 |
| 1       | 36       | 459857-0 | LOCK OFF BUTTON             | 1     |               |                 |
| 1       | 37       | 231227-3 | COMPRESSION SPRING 15       | 1     |               |                 |
| 1       | 38       | 632E26-0 | SWITCH UNIT                 | 1     |               |                 |
| 1       | 39       | 687124-5 | STRAIN RELIEF               | 1     |               |                 |
| 1       | 40       | 266424-2 | TAPPING SCREW 4X20          | 2     |               |                 |
| 1       | 41       | 183P40-0 | LEVER BOX SET               | 1     |               | INC. 35         |
| 1       |          | 8007C6-9 | INDICATION LABEL            | 1     |               | INC WITH FIG 41 |
| 1       | 42       | 266424-2 | TAPPING SCREW 4X20          | 6     |               |                 |
| 1       | 43       | 699144-7 | POWER SUPPLY CORD UNIT      | 1     |               |                 |
| 1       | 44       | 327421-4 | HANDLE UPPER                | 1     |               |                 |
| 1       | 45       | 252278-3 | HEX. CAP NUT M8             | 1     |               |                 |
| 1       | 46       | 327422-2 | HANDLE LOWER                | 1     |               |                 |
| 1       | 47       | 265A62-3 | FLAT HEAD BOLT M8X38        | 1     |               |                 |
| 1       | 48       | 265A62-3 | FLAT HEAD BOLT M8X38        | 1     |               |                 |
| 1       | 49       | 252278-3 | HEX. CAP NUT M8             | 1     |               |                 |

Products with multiple versions are listed in subsiding order with the newest version on top not indented.

| Section | Fig. No. | Part No. | Description            | XML07 | Tech<br>Bulletin | Notes |
|---------|----------|----------|------------------------|-------|------------------|-------|
| 1       | 50       | 459905-5 | CLAMP                  | 1     |                  |       |
| 1       | 51       | 921451-3 | HEX. BOLT M8X30        | 2     |                  |       |
| 1       | 52       | 459905-5 | CLAMP                  | 1     |                  |       |
| 1       | 53       | 921451-3 | HEX. BOLT M8X30        | 2     |                  |       |
| 1       | 54       | 699142-1 | POWER SUPPLY CORD UNIT | 1     |                  |       |
| 1       | 216      | 459907-1 | HANDLE COVER           | 1     |                  |       |
| 1       | 217      | 459907-1 | HANDLE COVER           | 1     |                  |       |

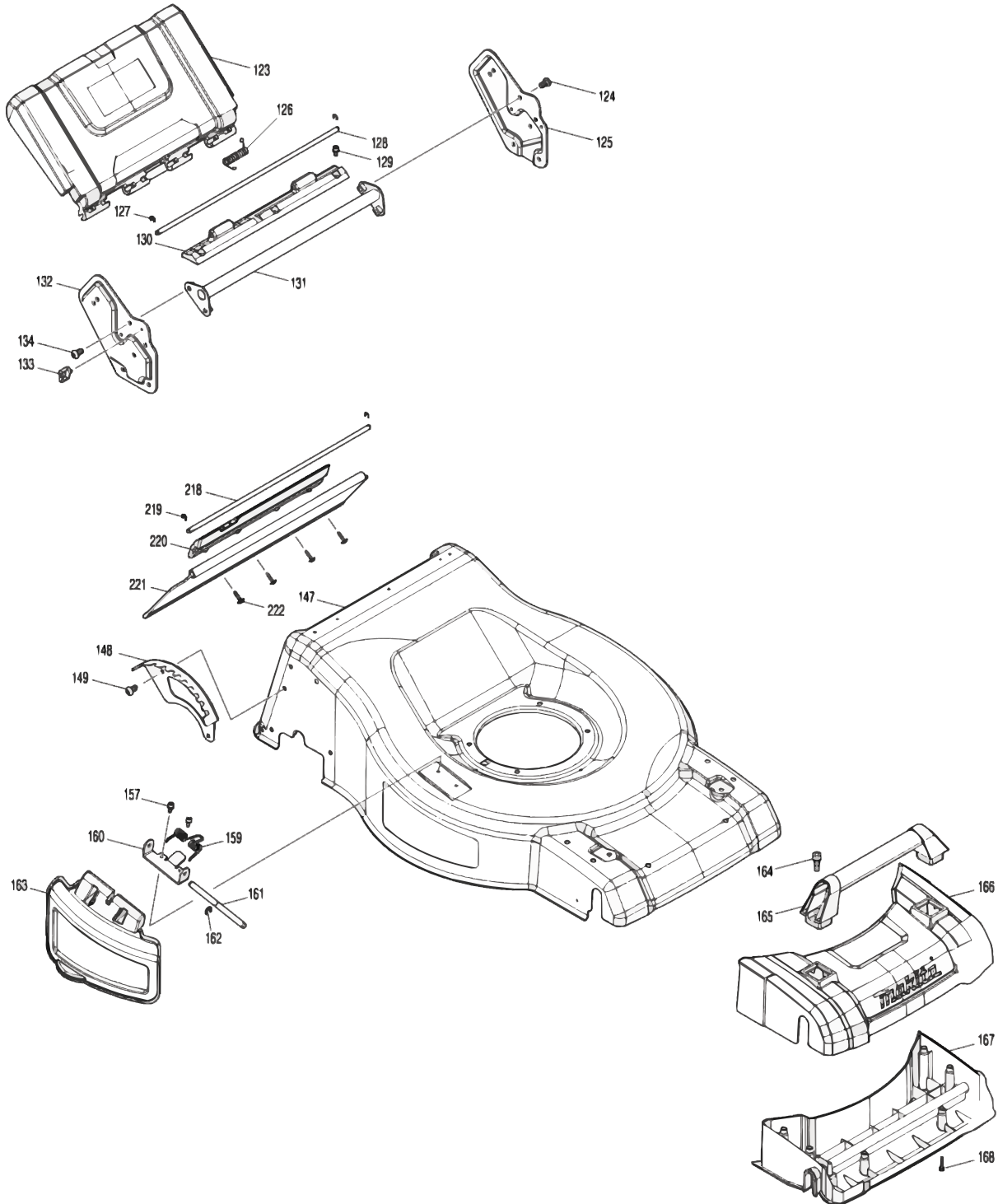


Products with multiple versions are listed in subsiding order with the newest version on top not indented.

| Section | Fig. No. | Part No. | Description             | XML07 | Tech Bulletin | Notes           |
|---------|----------|----------|-------------------------|-------|---------------|-----------------|
| 2       | 56       | 140S04-5 | BATTERY COVER COMPLETE  | 1     |               |                 |
| 2       | 57       | 961018-5 | STOP RING E-5           | 1     |               |                 |
| 2       | 58       | 327536-7 | ROD 6                   | 1     |               |                 |
| 2       | 59       | 643535-4 | KEY                     | 1     |               |                 |
| 2       | 60       | 266404-8 | TAPPING SCREW BIND 3X14 | 1     |               |                 |
| 2       | 61       | 459851-2 | SWITCH LEVER            | 1     |               |                 |
| 2       | 62       | 213896-2 | O-RING 24               | 1     |               |                 |
| 2       | 63       | 459852-0 | LOCK LEVER              | 1     |               |                 |
| 2       | 64       | 231037-8 | COMPRESSION SPRING 7    | 1     |               |                 |
| 2       | 65       | 266424-2 | TAPPING SCREW 4X20      | 7     |               |                 |
| 2       | 66       | 459847-3 | COWLING UPPER           | 1     |               |                 |
| 2       | 68       | 183N78-3 | TERMINAL HOUSING SET    | 2     |               | INC. 73         |
| 2       |          | 263005-3 | RUBBER PIN 6            | 8     |               | INC WITH FIG 68 |
| 2       | 69       | 266424-2 | TAPPING SCREW 4X20      | 6     |               |                 |
| 2       | 71       | 644809-6 | TERMINAL                | 4     |               |                 |
| 2       | 72       | 266424-2 | TAPPING SCREW 4X20      | 8     |               |                 |
| 2       | 73       | 183N78-3 | TERMINAL HOUSING SET    | 2     |               | INC. 68         |
| 2       |          | 263005-3 | RUBBER PIN6             | 8     |               | INC WITH FIG 73 |
| 2       | 80       | 266424-2 | TAPPING SCREW 4X20      | 2     |               |                 |
| 2       | 81       | 687124-5 | STRAIN RELIEF           | 1     |               |                 |
| 2       | 82       | 687051-6 | STRAIN RELIEF           | 1     |               |                 |
| 2       | 83       | 620C46-4 | CONTROLLER              | 1     |               |                 |
| 2       | 84       | 266424-2 | TAPPING SCREW 4X20      | 2     |               |                 |
| 2       | 85       | 632P74-5 | LEAD UNIT               | 1     |               |                 |
| 2       | 86       | 422529-0 | SPONGE B                | 1     |               |                 |
| 2       | 88       | 422528-2 | SPONGE A                | 1     |               |                 |
| 2       | 89       | 651444-3 | SWITCH 1703.4703        | 1     |               |                 |
| 2       | 91       | 266424-2 | TAPPING SCREW 4X20      | 2     |               |                 |
| 2       | 92       | 687124-5 | STRAIN RELIEF           | 1     |               |                 |
| 2       | 93       | 687051-6 | STRAIN RELIEF           | 1     |               |                 |
| 2       | 94       | 911233-1 | PAN HEAD SCREW M5X20    | 4     |               |                 |
| 2       | 95       | 459848-1 | COWLING LOWER           | 1     |               |                 |
| 2       | 96       | 319869-4 | MOTOR HOUSING UPPER     | 1     |               |                 |
| 2       | 97       | 253455-0 | WAVE WASHER 19          | 1     |               |                 |
| 2       | 98       | 210141-6 | BALL BEARING 6000DDW    | 1     |               |                 |
| 2       | 99       | 519606-8 | ROTOR ASS'Y             | 1     |               | INC. 98,100     |
| 2       | 100      | 211387-7 | BALL BEARING 6004LLU    | 1     |               |                 |
| 2       | 101      | 265B29-7 | TAPPING SCREW PT 2X8    | 2     |               |                 |

Products with multiple versions are listed in subsiding order with the newest version on top not indented.

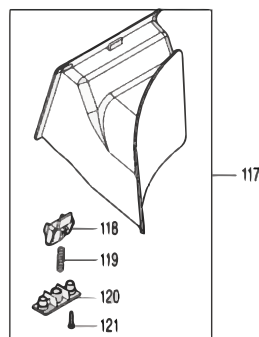
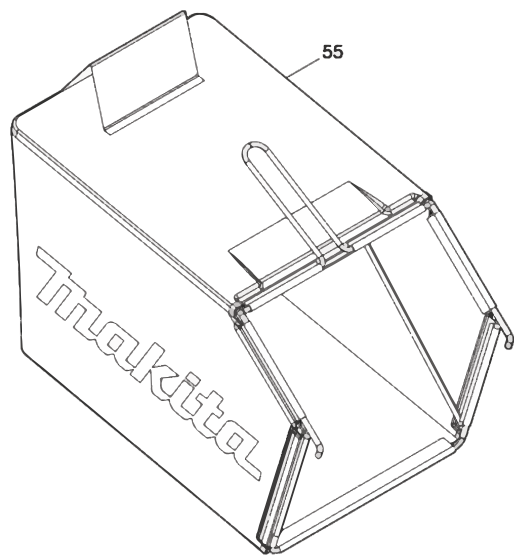
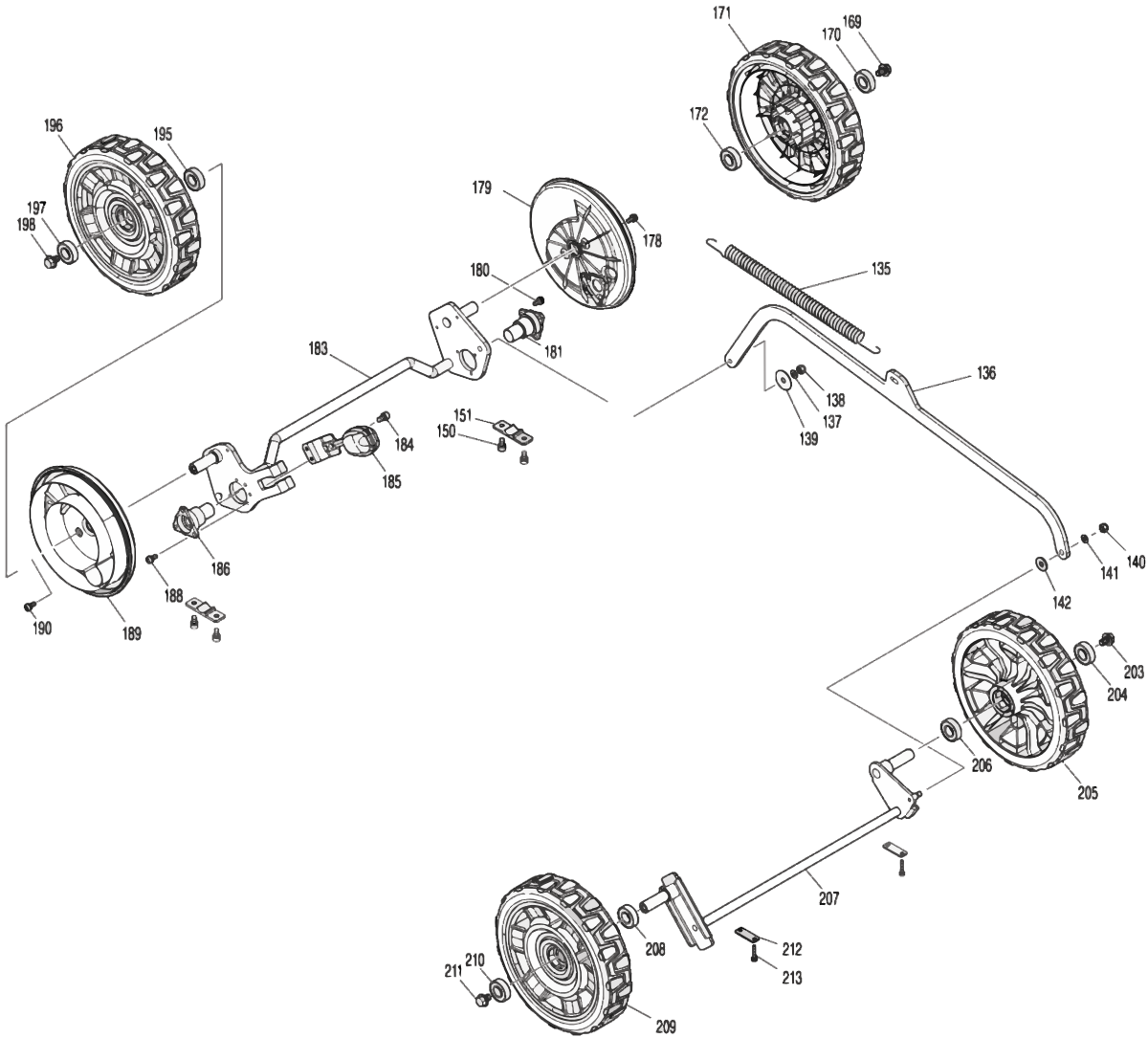
| Section | Fig. No. | Part No. | Description                 | XML07 | Tech<br>Bulletin | Notes |
|---------|----------|----------|-----------------------------|-------|------------------|-------|
| 2       | 102      | 620B88-2 | CONTROLLER B                | 1     |                  |       |
| 2       | 103      | 629465-3 | STATOR                      | 1     |                  |       |
| 2       | 104      | 319870-9 | MOTOR HOUSING LOWER         | 1     |                  |       |
| 2       | 105      | 911691-1 | PAN HEAD SCREW M5X70        | 3     |                  |       |
| 2       | 106      | 652031-1 | PAN HEAD SCREW M3X6         | 3     |                  |       |
| 2       | 107      | 911233-1 | PAN HEAD SCREW M5X20        | 4     |                  |       |
| 2       | 108      | 922441-9 | HEX. SOCKET HEAD BOLT M8X25 | 4     |                  |       |
| 2       | 109      | 319867-8 | MOTOR BRACKET               | 1     |                  |       |
| 2       | 110      | 459853-8 | BAFFLE PLATE                | 1     |                  |       |
| 2       | 111      | 911126-2 | PAN HEAD SCREW M4X16        | 4     |                  |       |
| 2       | 112      | 240205-2 | FAN 170                     | 1     |                  |       |
| 2       | 113      | 319868-6 | BLADE SUPPORT               | 1     |                  |       |
| 2       | 114      | 266424-2 | TAPPING SCREW 4X20          | 2     |                  |       |
| 2       | 115      | 191D52-7 | BLADE 530 SET               | 1     |                  |       |
| 2       | 116      | 265A69-9 | HEX. BOLT M10X35 WITH WG    | 1     |                  |       |
| 2       | 215      | 422533-9 | GROMMET                     | 1     |                  |       |





Products with multiple versions are listed in subsiding order with the newest version on top not indented.

| Section | Fig. No. | Part No. | Description                    | XML07 | Tech Bulletin | Notes       |
|---------|----------|----------|--------------------------------|-------|---------------|-------------|
| 3       | 123      | 140S00-3 | REAR FLAP COMPLETE             | 1     |               |             |
| 3       | 124      | 265B20-5 | HEX.SOCKET BUTTON HEAD BOLT M8 | 4     |               |             |
| 3       | 125      | 347579-3 | HANDLE BRACKET L               | 1     |               |             |
| 3       | 126      | 233597-6 | TORSION SPRING 8               | 1     |               |             |
| 3       | 127      | 961018-5 | STOP RING E-5                  | 2     |               |             |
| 3       | 128      | 327418-3 | ROD 6                          | 1     |               |             |
| 3       | 129      | 922213-2 | H.S.H.BOLT M5X12 WITH WR       | 3     |               |             |
| 3       | 130      | 459877-4 | REAR FLAP HOLDER PLATE         | 1     |               |             |
| 3       | 131      | 162692-4 | REAR GRIP                      | 1     |               |             |
| 3       | 132      | 347578-5 | HANDLE BRACKET R               | 1     |               |             |
| 3       | 133      | 451825-9 | CLAMP                          | 1     |               |             |
| 3       | 134      | 265B20-5 | HEX.SOCKET BUTTON HEAD BOLT M8 | 4     |               |             |
| 3       | 147      | 140S62-1 | DECK COMPLETE                  | 1     |               |             |
| 3       | 148      | 347749-4 | HEIGHT ADJUST PLATE            | 1     | D4141         | April 2020< |
| 3       | 148      | 347582-4 | HEIGHT ADJUST PLATE            | 1     | D4141         | >Mar 2020   |
| 3       | 149      | 265B20-5 | HEX.SOCKET BUTTON HEAD BOLT M8 | 2     |               |             |
| 3       | 157      | 922213-2 | H.S.H.BOLT M5X12 WITH WR       | 2     |               |             |
| 3       | 159      | 232567-2 | TORSION SPRING 9               | 1     |               |             |
| 3       | 160      | 347584-0 | SIDE DISCHARGE PLATE           | 1     |               |             |
| 3       | 161      | 327420-6 | ROD 8                          | 1     |               |             |
| 3       | 162      | 961013-5 | STOP RING E-7                  | 1     |               |             |
| 3       | 163      | 459886-3 | SIDE DISCHARGE COVER           | 1     |               |             |
| 3       | 164      | 922441-9 | HEX. SOCKET HEAD BOLT M8X25    | 2     |               |             |
| 3       | 165      | 459870-8 | FRONT GRIP                     | 1     |               |             |
| 3       | 166      | 459871-6 | FRONT COVER                    | 1     |               |             |
| 3       | 167      | 459872-4 | DECK UNDER COVER               | 1     |               |             |
| 3       | 168      | 266424-2 | TAPPING SCREW 4X20             | 6     |               |             |
| 3       | 218      | 327418-3 | ROD 6                          | 1     |               |             |
| 3       | 219      | 961018-5 | STOP RING E-5                  | 2     |               |             |
| 3       | 220      | 412412-9 | PROTECTIVE SHIELD HOLDER       | 1     |               |             |
| 3       | 221      | 422540-2 | PROTECTIVE SHIELD              | 1     |               |             |
| 3       | 222      | 265B00-1 | TAPPING SCREW FLANGE 4X12      | 4     |               |             |



Products with multiple versions are listed in subsiding order with the newest version on top not indented.

| Section | Fig. No. | Part No. | Description                  | XML07 | Tech Bulletin | Notes                                  |
|---------|----------|----------|------------------------------|-------|---------------|--|
| 4       | 55       | 122B19-2 | GRASS CATCHER ASSEMBLY       | 1     |               |  |
| 4       |          | 162978-6 | GRASS CATCHER                | 1     |               | INC WITH FIG 55                        |
| 4       |          | 327866-6 | GRASS CATCHER BRACKET        | 1     |               | INC WITH FIG 55                        |
| 4       | 55       | 127504-8 | GRASS CATCHER ASSEMBLY       | 1     |               |  |
| 4       | 117      | 127516-1 | MULCHING PLUG ASSEMBLY       | 1     |               | INC. 118-121                           |
| 4       | 118      | 459884-7 | LOCK LEVER                   | 1     |               |  |
| 4       | 119      | 231401-3 | COMPRESSION SPRING 7         | 1     |               |  |
| 4       | 120      | 459885-5 | LOCK LEVER SUPPORT           | 1     |               |  |
| 4       | 121      | 266424-2 | TAPPING SCREW 4X20           | 2     |               |  |
| 4       | 135      | 232628-8 | TENSION SPRING 16            | 1     |               |  |
| 4       | 136      | 347580-8 | CONNECTING ROD               | 1     |               |  |
| 4       | 137      | 941151-9 | FLAT WASHER 6                | 1     |               |  |
| 4       | 138      | 252014-7 | HEX. LOCK NUT M6-10          | 1     |               |  |
| 4       | 139      | 267216-2 | FLAT WASHER 8                | 1     |               |  |
| 4       | 140      | 252014-7 | HEX. LOCK NUT M6-10          | 1     |               |  |
| 4       | 141      | 941151-9 | FLAT WASHER 6                | 1     |               |  |
| 4       | 142      | 253762-1 | FLAT WASHER 8                | 1     |               |  |
| 4       | 150      | 922311-2 | HEX. SOCKET HEAD BOLT M6X12  | 4     |               |  |
| 4       | 151      | 313290-9 | REAR SHAFT HOLDER COVER      | 2     |               |  |
| 4       | 169      | 265324-3 | HEX. FLANGE HEAD BOLT M8X12  | 1     |               |  |
| 4       | 170      | 211236-8 | BALL BEARING 6002DDW         | 1     |               |  |
| 4       | 170      | 211247-3 | BALL BEARING 6002DDW         | 1     |               |  |
| 4       | 171      | 127513-7 | REAR WHEEL ASSEMBLY          | 1     |               |  |
| 4       | 172      | 211236-8 | BALL BEARING 6002DDW         | 1     |               |  |
| 4       | 172      | 211247-3 | BALL BEARING 6002DDW         | 1     |               |  |
| 4       | 178      | 911213-7 | PAN HEAD SCREW M5X12         | 2     |               |  |
| 4       | 179      | 459867-7 | WHEEL CAP                    | 1     |               |  |
| 4       | 180      | 911213-7 | PAN HEAD SCREW M5X12         | 3     |               |  |
| 4       | 181      | 327435-3 | REAR SHAFT HOLDER            | 1     |               |  |
| 4       | 183      | 162689-3 | REAR SHAFT                   | 1     |               |  |
| 4       | 184      | 922311-2 | HEX. SOCKET HEAD BOLT M6X12  | 2     |               |  |
| 4       | 185      | 162694-0 | HEIGHT ADJUST LEVER COMPLETE | 1     |               |  |
| 4       | 186      | 313368-8 | REAR SHAFT HOLDER R          | 1     | D5832         | INC RETAINING RING 961059-1 Aug 2020 < |
| 4       | 186      | 327435-3 | REAR SHAFT HOLDER            | 1     | D5832         | >JULY 2020                             |
| 4       | 188      | 911213-7 | PAN HEAD SCREW M5X12         | 3     |               |  |
| 4       | 189      | 459867-7 | WHEEL CAP                    | 1     |               |  |
| 4       | 190      | 911213-7 | PAN HEAD SCREW M5X12         | 2     |               |  |

Products with multiple versions are listed in subsiding order with the newest version on top not indented.

| Section | Fig. No. | Part No. | Description                 | XML07 | Tech Bulletin | Notes        |
|---------|----------|----------|-----------------------------|-------|---------------|--------------|
| 4       | 195      | 211236-8 | BALL BEARING 6002DDW        | 1     |               |              |
| 4       | 195      | 211247-3 | BALL BEARING 6002DDW        | 1     |               |              |
| 4       | 196      | 127513-7 | REAR WHEEL ASSEMBLY         | 1     |               |              |
| 4       | 197      | 211236-8 | BALL BEARING 6002DDW        | 1     |               |              |
| 4       | 197      | 211247-3 | BALL BEARING 6002DDW        | 1     |               |              |
| 4       | 198      | 265324-3 | HEX. FLANGE HEAD BOLT M8X12 | 1     |               |              |
| 4       | 203      | 265324-3 | HEX. FLANGE HEAD BOLT M8X12 | 1     |               |              |
| 4       | 204      | 211236-8 | BALL BEARING 6002DDW        | 1     |               |              |
| 4       | 204      | 211247-3 | BALL BEARING 6002DDW        | 1     |               |              |
| 4       | 205      | 127514-5 | FRONT WHEEL ASSEMBLY        | 1     |               |              |
| 4       | 206      | 211236-8 | BALL BEARING 6002DDW        | 1     |               |              |
| 4       | 206      | 211247-3 | BALL BEARING 6002DDW        | 1     |               |              |
| 4       | 207      | 162688-5 | FRONT SHAFT                 | 1     |               |              |
| 4       | 208      | 211236-8 | BALL BEARING 6002DDW        | 1     |               |              |
| 4       | 208      | 211247-3 | BALL BEARING 6002DDW        | 1     |               |              |
| 4       | 209      | 127514-5 | FRONT WHEEL ASSEMBLY        | 1     |               |              |
| 4       | 210      | 211236-8 | BALL BEARING 6002DDW        | 1     |               |              |
| 4       | 210      | 211247-3 | BALL BEARING 6002DDW        | 1     |               |              |
| 4       | 211      | 265324-3 | HEX. FLANGE HEAD BOLT M8X12 | 1     |               |              |
| 4       | 212      | 341462-6 | PLATE                       | 2     |               |              |
| 4       | 213      | 266424-2 | TAPPING SCREW 4X20          | 4     |               |              |
|         | A01      | 327589-6 | ROD 6                       | 1     |               | NOT PICTURED |
|         | A02      | 782210-8 | SOCKET WRENCH 17            | 1     |               | NOT PICTURED |
|         | A03      | 782232-8 | SOCKET WRENCH 13            | 1     |               | NOT PICTURED |
|         | A04      | 459887-1 | SIDE DISCHARGE MOUTH        | 1     |               | NOT PICTURED |