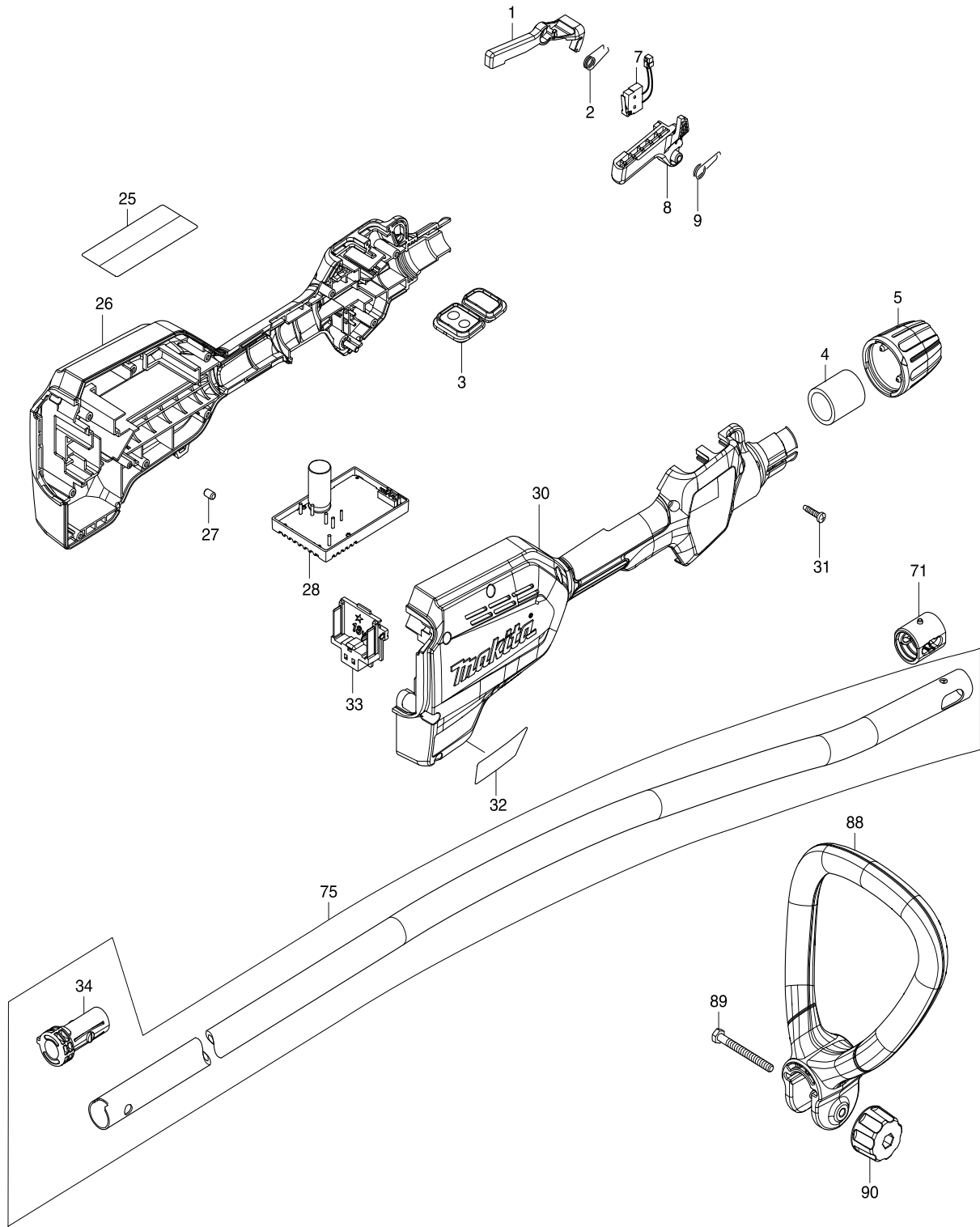


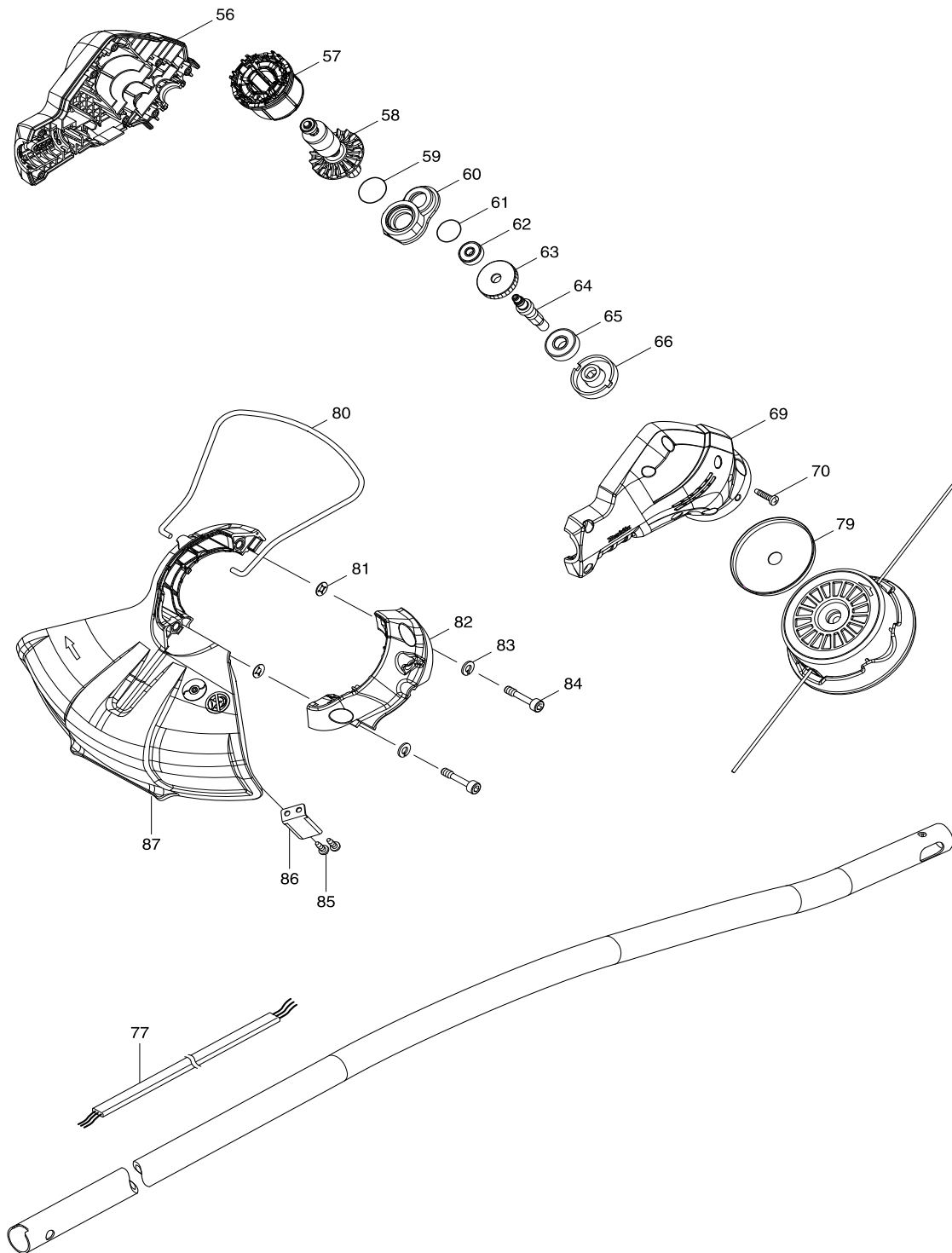


XRU08



Products with multiple versions are listed in subsiding order with the newest version on top not indented.

Section	Fig. No.	Part No.	Description	XRU08	Tech Bulletin	Notes
1 1		456671-5	LOCK OFF LEVER	1		
1 2		233621-5	TORSION SPRING 9	1		
1 3		143755-5	SUB CONTROLLER COMPLETE	1		
1 4		456647-2	RUBBER SLEEVE 24 A	1		
1 5		453344-1	LOCK SLEEVE	1		
1 7		632E26-0	SWITCH UNIT	1		
1 8		456670-7	SWITCH LEVER	1		
1 9		233612-6	TORSION SPRING 10	1		
1 25		808U33-3	CAUTION LABEL	1		
1 26		183C91-5	GRIP HOUSING SET	1		INC. 30
1 27		263005-3	RUBBER PIN 6	2		
1 28		620514-9	CONTROLLER	1		
1 30		183C91-5	GRIP HOUSING SET	1		INC. 26
1 31		265995-6	TAPPING SCREW 4X18	10		
1 32		852A50-5	XRU08 NAME PLATE	1		
1 33		644808-8	TERMINAL	1		
1 34		456648-0	PIPE CAP	1		
1 71		424567-8	RUBBER SLEEVE 24	1		
1 75		135749-4	PIPE ASS'Y	1		
1 88		456423-4	LOOP HANDLE 24	1		
1 89		921382-6	HEX. BOLT M6X60	1		
1 90		264072-1	THUMB NUT M6	1		



Products with multiple versions are listed in subsiding order with the newest version on top not indented.

Section	Fig. No.	Part No.	Description	XRU08	Tech Bulletin	Notes
2	56	183C95-7	MOTOR HOUSING SET	1		INC. 69
2	57	629200-9	STATOR	1		
2	58	619324-9	ROTOR	1		
2	59	213373-4	O RING 22	1		
2	60	318978-6	BEARING BOX	1		
2	61	213325-5	O RING 19	1		
2	62	210143-2	BALL BEARING 626ZZ	1		
2	63	227773-2	HELICAL GEAR 31	1		
2	64	326684-9	CUTTER SHAFT	1		
2	65	210059-1	BALL BEARING 6000DDW	1		
2	66	326683-1	RECEIVE WASHER	1		
2	69	183C95-7	MOTOR HOUSING SET	1		INC. 56
2	70	265995-6	TAPPING SCREW 4X18	8		
2	77	699075-0	POWER SUPPLY CORD UNIT	1		
2	79	346857-8	GUARD	1		
2	80	326348-5	WIRE GUARD	1		
2	81	413143-3	WASHER	2		
2	82	454641-8	PROTECTOR HOLDER	1		
2	83	942151-2	SPRING WASHER 6	2		
2	84	266579-3	HEX SOCKET HEAD BOLT M6X30	2		
2	85	266427-6	TAPPING SCREW 4X12	2		
2	86	346855-2	CUTTER	1		
2	87	456651-1	PROTECTOR	1		