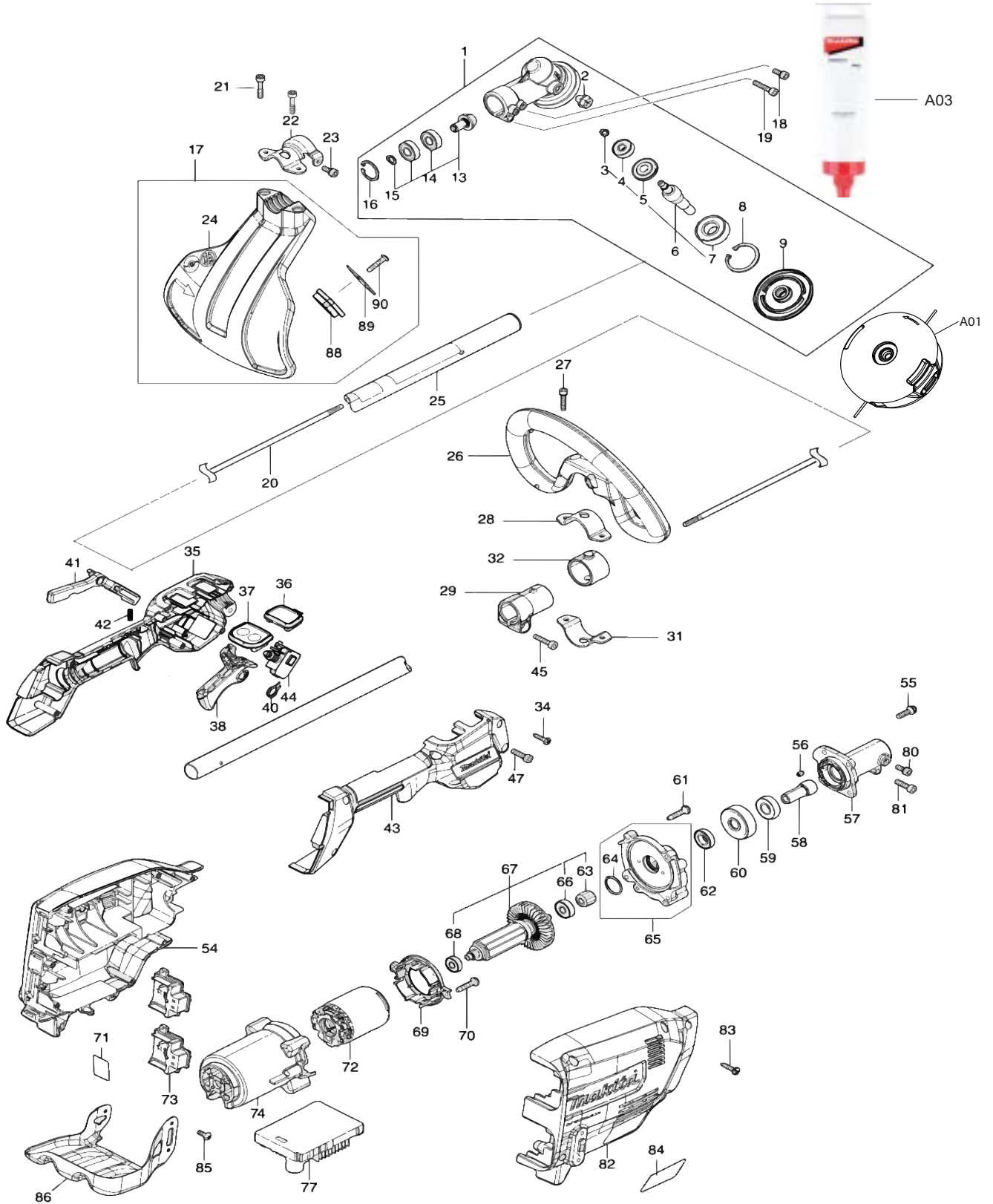




**XRU18**



Products with multiple versions are listed in subsiding order with the newest version on top not indented.

| Section | Fig. No. | Part No. | Description                 | XRU18 | Tech Bulletin | Notes           |
|---------|----------|----------|-----------------------------|-------|---------------|-----------------|
| 1       | 1        | 127380-0 | GEAR CASE ASSEMBLY US       | 1     |               | INC. 2-9,13-16  |
| 1       | 2        | 265590-2 | HEX.BOLT M8X10 WITH R       | 1     |               |                 |
| 1       | 3        | 259070-8 | RETAINING RING (EXT) S-7    | 1     |               |                 |
| 1       | 4        | 210025-8 | BALL BEARING 627LLB         | 1     |               |                 |
| 1       | 4        | 210030-5 | BALL BEARING 627ZZ          | 1     |               |                 |
| 1       | 5        | 226954-5 | SPIRAL BEVEL GEAR 21        | 1     |               |                 |
| 1       | 6        | 136234-0 | CUTTER SHAFT ASS'Y          | 1     |               | INC. 3-5,7      |
| 1       | 7        | 211228-7 | BALL BEARING 6202DDW        | 1     |               |                 |
| 1       | 8        | 259069-3 | RETAINING RING (INT) R-35   | 1     |               |                 |
| 1       | 9        | 140N88-3 | RECEIVE WASHER COMPLETE     | 1     |               |                 |
| 1       | 13       | 136236-6 | SPIRAL BEVEL GEAR ASS'Y     | 1     |               | INC. 14,15      |
| 1       | 14       | 210051-7 | BALL BEARING 609LLB         | 2     |               |                 |
| 1       | 14       | 210049-4 | BALL BEARING 609ZZ          | 2     |               |                 |
| 1       | 15       | 259071-6 | RETAINING RING (EXT) S-9    | 1     |               |                 |
| 1       | 16       | 259072-4 | RETAINING RING (INT)R-24    | 1     |               |                 |
| 1       | 17       | 191B55-9 | PROTECTOR N 430 SET MG      | 1     |               | INC. 24,89,90   |
| 1       | 18       | 922216-6 | HEX. SOCKET HEAD BOLT M5X14 | 1     |               |                 |
| 1       | 19       | 922242-5 | HEX. SOCKET HEAD BOLT M5X25 | 1     |               |                 |
| 1       | 20       | 327056-1 | SHAFT                       | 1     |               |                 |
| 1       | 21       | 251513-6 | H.S.H.BOLT M5X25            | 2     |               |                 |
| 1       | 22       | 347107-4 | PROTECTOR CLAMP 24          | 1     |               |                 |
| 1       | 23       | 922216-6 | HEX. SOCKET HEAD BOLT M5X14 | 1     |               |                 |
| 1       | 24       | 457273-0 | PROTECTOR N 420-450         | 1     |               |                 |
| 1       | 25       | 140P07-1 | SHAFT PIPE COMPLETE E       | 1     |               |                 |
| 1       | 26       | 457267-5 | LOOP HANDLE                 | 1     |               |                 |
| 1       |          | 263005-3 | RUBBER PIN 6                | 1     |               | INC WITH FIG 26 |
| 1       | 27       | 922234-4 | H.S.H.BOLT M5X20 WITH WG    | 2     |               |                 |
| 1       | 28       | 347113-9 | UPPER CLAMP 35              | 1     |               |                 |
| 1       | 29       | 457269-1 | PIPE HOLDER 24              | 1     |               |                 |
| 1       | 31       | 347114-7 | LOWER CLAMP 35              | 1     |               |                 |
| 1       | 32       | 424942-8 | DAMPER                      | 1     |               |                 |
| 1       | 34       | 266326-2 | TAPPING SCREW 4X18          | 6     |               |                 |
| 1       | 35       | 183N27-0 | GRIP SET                    | 1     |               | INC. 43         |
| 1       |          | 931202-6 | HEX NUT M5                  | 1     |               | INC WITH FIG 35 |
| 1       | 36       | 140K37-2 | INDICATION CIRCUIT COMPLETE | 1     |               |                 |

Products with multiple versions are listed in subsiding order with the newest version on top not indented.

| Section | Fig. No. | Part No. | Description               | XRU18 | Tech Bulletin | Notes           |
|---------|----------|----------|---------------------------|-------|---------------|-----------------|
| 1       | 37       | 140K35-6 | SWITCH CIRCUIT COMPLETE G | 1     |               |                 |
| 1       |          | 819J26-9 | SWITCH LABEL              | 1     |               | INC WITH FIG 37 |
| 1       | 38       | 459758-2 | SWITCH LEVER              | 1     |               |                 |
| 1       | 40       | 233622-3 | TORSION SPRING 12         | 1     |               |                 |
| 1       | 41       | 459759-0 | LOCK OFF LEVER            | 1     |               |                 |
| 1       | 42       | 233101-1 | COMPRESSION SPRING 4      | 1     |               |                 |
| 1       | 43       | 183N27-0 | GRIP SET                  | 1     |               | INC. 35         |
| 1       |          | 931202-6 | HEX NUT M5                | 1     |               | INC WITH FIG 43 |
| 1       | 44       | 651436-2 | SWITCH C3JW-1A-P-2        | 1     |               |                 |
| 1       | 45       | 922244-1 | H.S.H.BOLT M5X25 WITH WG  | 1     |               |                 |
| 1       | 47       | 922233-6 | H.S.H.BOLT M5X20 WITH WR  | 1     |               |                 |
| 1       | 54       | 183N23-8 | HOUSING SET               | 1     |               | INC. 82         |
| 1       |          | 263005-3 | RUBBER PIN 6              | 4     |               | INC WITH FIG 54 |
| 1       |          | 252126-6 | HEX LOCK NUT M4-7         | 1     |               | INC WITH FIG 54 |
| 1       | 55       | 911233-1 | PAN HEAD SCREW M5X20      | 4     |               |                 |
| 1       | 56       | 263002-9 | RUBBER PIN 4              | 1     |               |                 |
| 1       | 57       | 319919-5 | PIPE BRACKET              | 1     |               |                 |
| 1       | 58       | 325811-5 | SPINDLE HUB               | 1     |               |                 |
| 1       | 59       | 211131-2 | BALL BEARING 6001DDW      | 1     |               |                 |
| 1       | 60       | 226931-7 | HELICAL GEAR 29           | 1     |               |                 |
| 1       | 61       | 266459-3 | TAPPING SCREW 5X25        | 4     |               |                 |
| 1       | 62       | 211140-1 | BALL BEARING 6901ZZ       | 1     |               |                 |
| 1       | 62       | 211150-8 | BALL BEARING 6901ZZ       | 1     |               |                 |
| 1       | 63       | 226932-5 | HELICAL GEAR 10           | 1     |               |                 |
| 1       | 64       | 213961-7 | O RING 22                 | 1     |               |                 |
| 1       | 65       | 136231-6 | GEAR BOX ASS'Y            | 1     |               | INC. 64         |
| 1       | 66       | 210005-4 | BALL BEARING 608DDW       | 1     |               |                 |
| 1       | 67       | 519587-6 | ROTOR ASS'Y               | 1     |               | INC. 63,66,68   |
| 1       | 68       | 211021-9 | BALL BEARING 607LLB       | 1     |               |                 |
| 1       | 68       | 210062-2 | BALL BEARING 607ZZ        | 1     |               |                 |
| 1       | 69       | 459764-7 | BAFFLE PLATE              | 1     |               |                 |
| 1       | 70       | 266326-2 | TAPPING SCREW 4X18        | 2     |               |                 |
| 1       | 72       | 629443-3 | STATOR                    | 1     |               |                 |
| 1       | 73       | 644809-6 | TERMINAL                  | 2     |               |                 |

Products with multiple versions are listed in subsiding order with the newest version on top not indented.

| Section | Fig. No. | Part No. | Description              | XRU18 | Tech Bulletin | Notes           |
|---------|----------|----------|--------------------------|-------|---------------|-----------------|
| 1       | 74       | 459763-9 | MOTOR HOUSING            | 1     |               |                 |
| 1       | 77       | 620C10-5 | CONTROLLER               | 1     |               |                 |
| 1       | 80       | 922211-6 | H.S.H.BOLT M5X12 WITH W  | 1     |               |                 |
| 1       | 81       | 922233-6 | H.S.H.BOLT M5X20 WITH WR | 1     |               |                 |
| 1       | 82       | 183N23-8 | HOUSING SET              | 1     |               | INC. 54         |
| 1       |          | 263005-3 | RUBBER PIN 6             | 4     |               | INC WITH FIG 82 |
| 1       |          | 252126-6 | HEX LOCK NUT M4-7        | 3     |               | INC WITH FIG 82 |
| 1       | 83       | 266326-2 | TAPPING SCREW 4X18       | 7     |               |                 |
| 1       | 85       | 251314-2 | SCREW M4X12              | 3     |               |                 |
| 1       | 86       | 347563-8 | BATTERY GUARD            | 1     |               |                 |
| 1       | 88       | 459765-5 | CUTTER EXTENSION         | 1     |               |                 |
| 1       | 89       | 347115-5 | CUTTER                   | 1     |               |                 |
| 1       | 90       | 266459-3 | TAPPING SCREW 5X25       | 1     |               |                 |
| 1       | A01      | 198892-0 | TRIMMER HEAD             | 1     |               |                 |
| 1       | A03      | 199450-5 | GEAR CASE GREASE         | 1     |               |                 |
| 1       | A07      | 783202-0 | HEX. WRENCH 4            | 1     |               | NOT PICTURED    |