



SERVICE PARTS LIST

BUL. 54-06-1303

1/4" PISTOL DRILL

REVISED BUL. 54-06-1302 DATE July '72

Catalog No. 0181

Starting Serial No. **393-1938**

WIRING INSTR. **58-01-0050**

Both Model and Serial No. must be furnished to obtain correct parts.

2500 R.P.M.

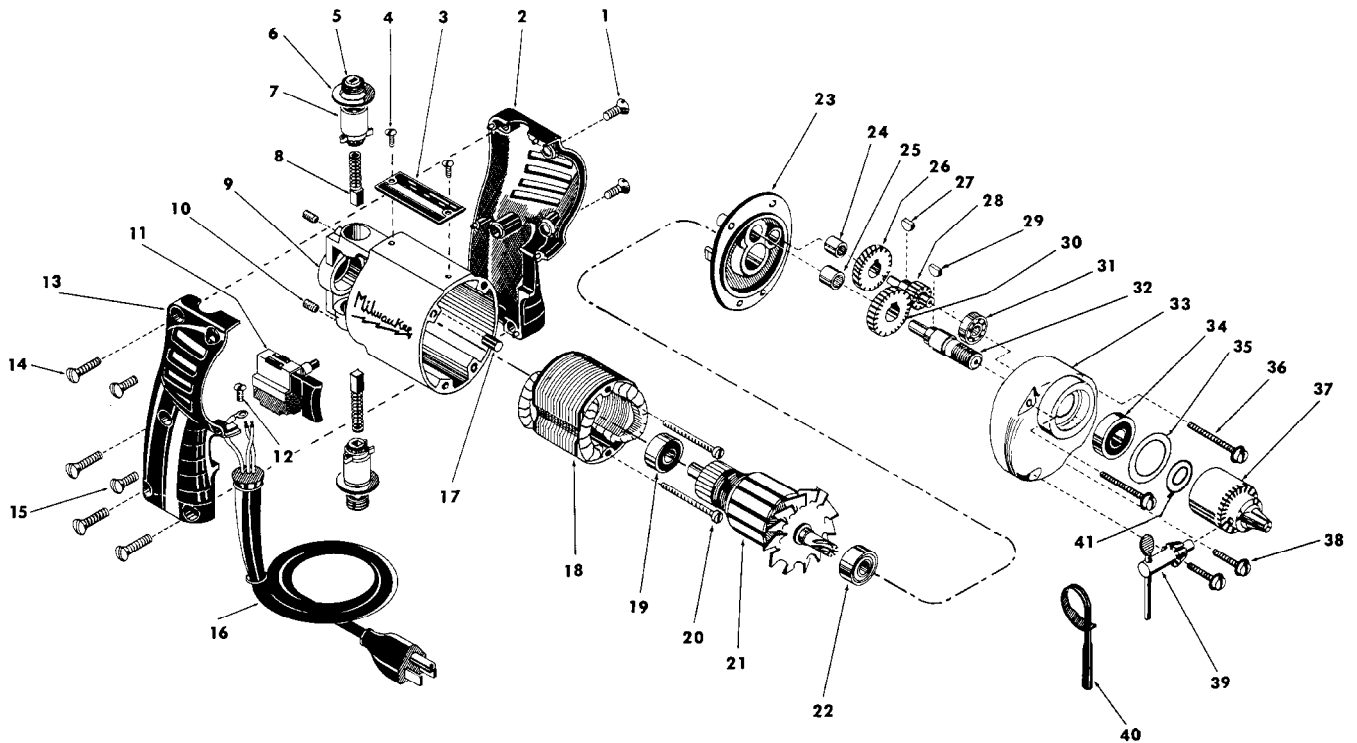


FIG.	PART NO.	DESCRIPTION OF PART	NO.REQ.	FIG.	PART NO.	DESCRIPTION OF PART	NO.REQ.	
	1	8-32 x 3/8 Pan Hd. Screw	(2)	22	02-04-0880	Ball Bearing		
	2	L. H. Handle Half		23	28-28-0221	Diaphragm		
★	3	Name Plate		24	02-50-1210	Needle Bearing		
	4	Name Plate Screw	(2)	25	02-50-1640	Needle Bearing		
	5	Brush Retaining Cap	(2)	26	32-40-1041	Intermediate Gear		
★	6	Insulating Washer	(2)	27	06-42-0400	Woodruff Key		
	7	Brush Holder Assy.	(2)	28	36-66-1601	Intermediate Pinion Shaft		
	8	Carbon Brush Assy.	(2)	29	06-42-0800	Woodruff Key		
	9	Motor Housing (Incl. Fig. No. 17)		30	32-75-1461	Spindle Gear		
	10	10-32 x 1/4 Soc. Hd. Set Screw	(2)	31	02-04-0640	Ball Bearing		
	11	Switch		32	38-50-1051	Spindle		
	12	Ground Screw		★	33	28-14-0363	Gear Case Assy.	
	13	R. H. Handle Half		34	02-04-1020	Ball Bearing		
	14	8-32 x 3/4 Pan Hd. Screw	(4)	★	35	34-80-1400	Retaining Ring	
	15	8-32 x 3/8 Pan Hd. Screw	(2)	★	36	06-81-6575	8-32 x 1-5/8 Fil. Hd. Sems Screw	(2)
	16	Cord Set		37	48-66-0260	Chuck		
	17	Ball Bearing Ret. Slug		★	38	06-81-6350	8-32 x 1 Fil. Hd. Sems Screw	(2)
	18	Field		39	48-66-3200	Chuck Key		
	19	Ball Bearing		40	48-66-4080	Key Holder		
	20	6-32 x 1-7/8 Fil. Hd. Screw	(2)	★	41	45-88-0080	Chuck Washer	
★	21	Armature Assy.						