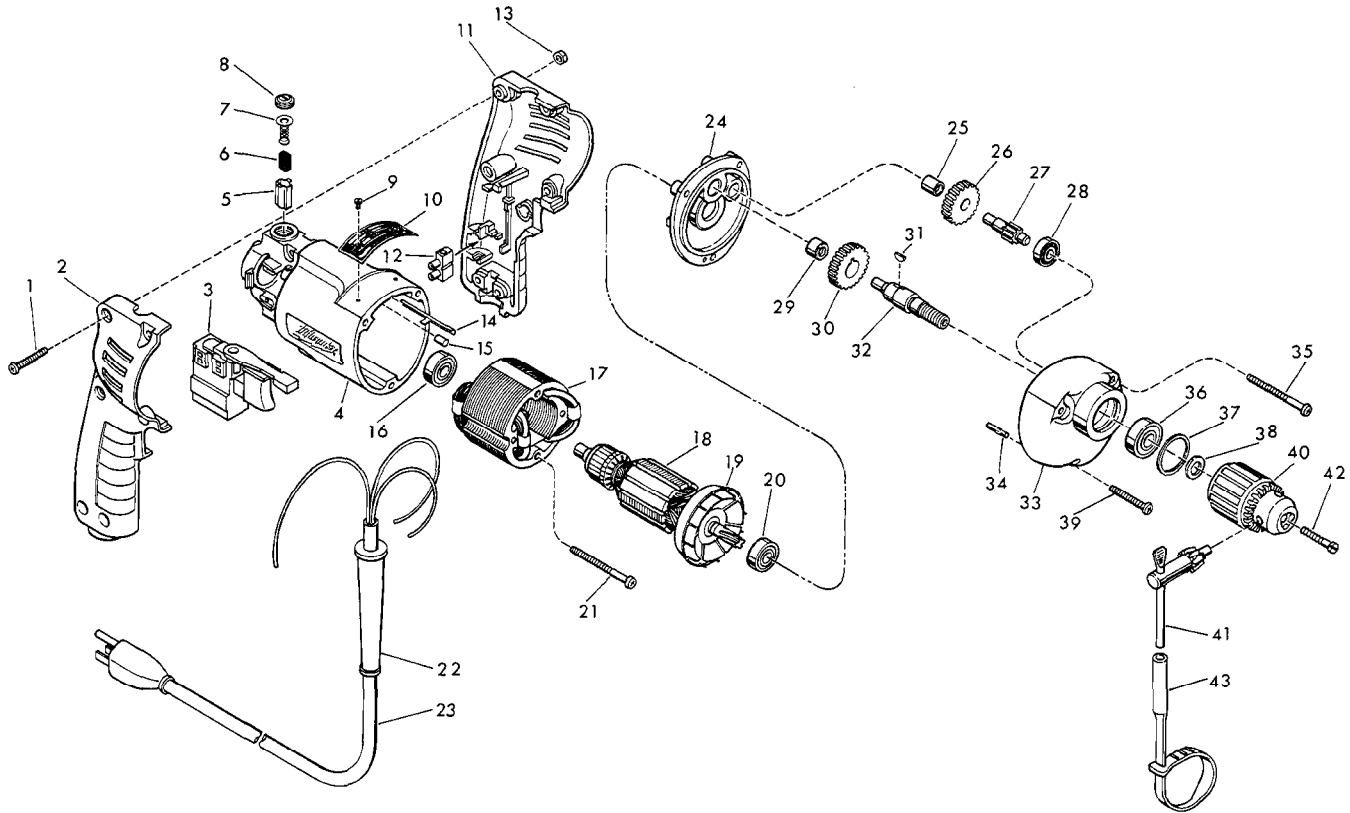




# SERVICE PARTS LIST

**BULLETIN NO.**  
54-06-0570

|  |                              |                            |           |
|--|------------------------------|----------------------------|-----------|
| SPECIFY CATALOG NO. AND SERIAL NO. WHEN ORDERING PARTS |                              | REVISED BULLETIN           | DATE      |
| 3/8" HOLE-SHOOTER                                      |                              |                            | March '83 |
| CATALOG NO. 0228-1                                     | STARTING SERIAL NO. 689-1001 | WIRING INSTRUCTION         |           |
|  |                              | 58-01-0015                 |           |
| CAT. NO. 0228-6  | START SER. NO. 689-1001      | BILINGUAL LABEL 10-98-6405 |           |



| FIG. | PART NO.   | DESCRIPTION OF PART                      | NO. REQ. |
|------|------------|--|----------|
| 1    | 06-81-0473 | 8-32 x 1" Pan Hd. Pozi Dr. Screw         | (6)      |
| 2    | 31-44-1130 | Right Handle Half                        | (1)      |
| 3    | 23-66-1245 | Speed Control Switch                     | (1)      |
| 4    | 31-50-0340 | Motor Housing                            | (1)      |
| 5    | 22-20-0530 | Brush Tube                               | (2)      |
| 6    | 22-16-0270 | Carbon Brush                             | (2)      |
| 7    | 23-52-0210 | Brush Spring Assembly                    | (2)      |
| 8    | 23-44-0120 | Brush Retaining Screw                    | (2)      |
| 9    | 06-85-0200 | Nameplate Screw                          | (2)      |
| 10   | 12-99-0310 | Nameplate Blank                          | (1)      |
| 11   | 31-44-1140 | Left Handle Half                         | (1)      |
| 12   | 22-56-0455 | Terminal Block                           | (1)      |
| 13   | 06-55-0835 | 8-32 Hex Nut                             | (6)      |
| 14   | 44-60-0530 | Ground Pin                               | (1)      |
| 15   | 45-30-0120 | Ball Bearing Retaining Slug              | (1)      |
| 16   | 02-04-0710 | Ball Bearing                             | (1)      |
| 17   | 18-10-0060 | 120V Field                               | (1)      |
| 18   | 16-10-0420 | 120V D.I. Armature - (Incl. Fig. No. 19) | (1)      |
| 19   | 22-84-0760 | Fan Assembly                             | (1)      |
| 20   | 02-04-0847 | Ball Bearing                             | (1)      |
| 21   | 06-95-0145 | 7 x 1-3/4" Pan Hd. Pozi Drive Screw      | (2)      |
| 22   | 44-76-0130 | Cord Protector                           | (1)      |
| 23   | 22-64-1120 | Cord Set                                 | (1)      |
| 24   | 28-28-1640 | Diaphragm                                | (1)      |
| 25   | 02-50-1210 | Needle Bearing                           | (1)      |

| FIG. | PART NO.   | DESCRIPTION OF PART                 | NO. REQ. |
|------|------------|-------------------------------------|----------|
| 26   | 32-40-1131 | Intermediate Gear                   | (1)      |
| 27   | 36-66-1751 | Intermediate Shaft                  | (1)      |
| 28   | 02-04-0640 | Ball Bearing                        | (1)      |
| 29   | 02-50-1620 | Needle Bearing                      | (1)      |
| 30   | 32-75-3080 | Spindle Gear                        | (1)      |
| 31   | 06-42-0800 | Woodruff Key                        | (1)      |
| 32   | 38-50-5370 | Reversing Spindle                   | (1)      |
| 33   | 28-14-1530 | Gear Case                           | (1)      |
| 34   | 06-65-0825 | 1/8 x 1/2" Groove Pin 5             | (1)      |
| 35   | 06-95-0145 | 7 x 1-3/4" Pan Hd. Pozi Dr. Screw   | (2)      |
| 36   | 02-04-1020 | Ball Bearing                        | (1)      |
| 37   | 34-80-1400 | Retaining Ring                      | (1)      |
| 38   | 45-88-0085 | Chuck Washer                        | (1)      |
| 39   | 06-95-0137 | 7 x 1-1/8" Pan Hd. Pozi Dr. Screw   | (1)      |
| 40   | 48-66-0795 | 3/8" Chuck - (Includes Fig. No. 41) | (1)      |
| 41   | 48-66-3240 | Chuck Key                           | (1)      |
| 42   | 45-04-0620 | Chuck Screw - L.H. Thread           | (1)      |
| 43   | 48-66-4040 | Key Holder                          | (1)      |
| 44   | 10-98-5986 | Warning Label (Not Shown)           | (1)      |

**LUBRICATION:**  
1-1/4 Oz. Type "E" Grease