



SERVICE PARTS LIST

BULLETIN NO.
54-06-1650

SPECIFY CATALOG NO. AND SERIAL NO. WHEN ORDERING PARTS		REVISED BULLETIN	DATE
VARIABLE SPEED 3/8" CORDLESS DRIVER/DRILL			Feb. 91
CATALOG NO. 0394-1	STARTING SERIAL NO. 765-1001	WIRING INSTRUCTION	
		58-01-1010	

EXAMPLE:
Component Parts (Small #)
Are Included When Ordering
The Assembly (Large #).

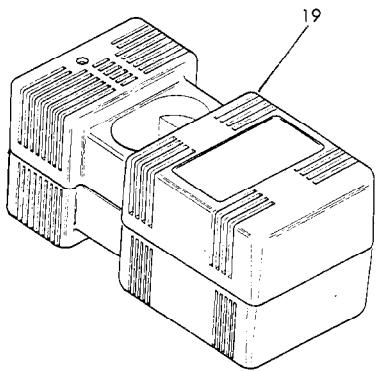
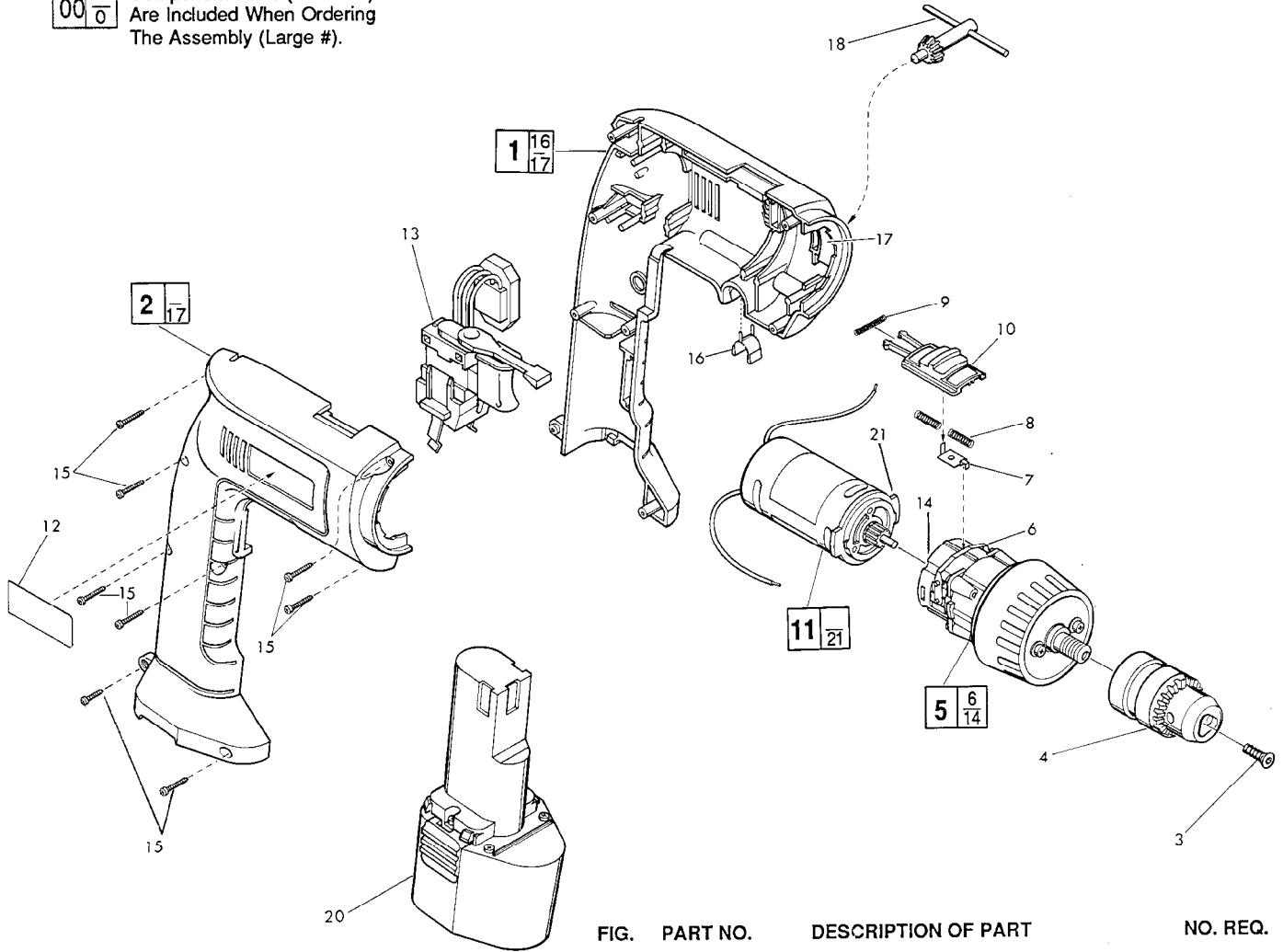


FIG.	PART NO.	DESCRIPTION OF PART	NO. REQ.
1	14-38-0511	Left Housing Assembly	(1)
2	14-38-0521	Right Housing Assembly	(1)
3	05-88-0505	Chuck Retaining Screw T-20	(1)
4	48-66-0817	Chuck	(1)
5	14-30-0720	Gear Box Assembly	(1)
6	44-10-0260	Change Gear Lever	(1)
7	44-14-0160	Link	(1)
8	40-50-8300	Spring	(2)
9	40-50-8310	Spring	(1)
10	45-24-0070	Slide - High/Low	(1)
11	14-50-0610	Motor Assembly	(1)
12	12-99-0880	Service Nameplate	(1)
13	23-66-2000	Variable Speed Switch	(1)
14	43-76-0590	Gear Housing	(1)
15	06-82-7236	4-20x5/8" Plastite Pan Hd. Torx T-10	(8)
16	42-70-0260	Clip-Chuck Key	(1)
17	44-52-0440	Foam Pad	(2)
18	48-66-3350	Chuck Key	(1)
19	48-59-0166	Battery Charger (Refer to Bulletin 54-04-0150)	(1)
20	48-11-0060	9.6 V. Battery Pack	(1)
21	44-66-5870	Motor Mount Plate	(1)