



SERVICE PARTS LIST

BUL. 54-12-2023

5/8" ELECTRIC DRILL

REVISED BUL
663-4

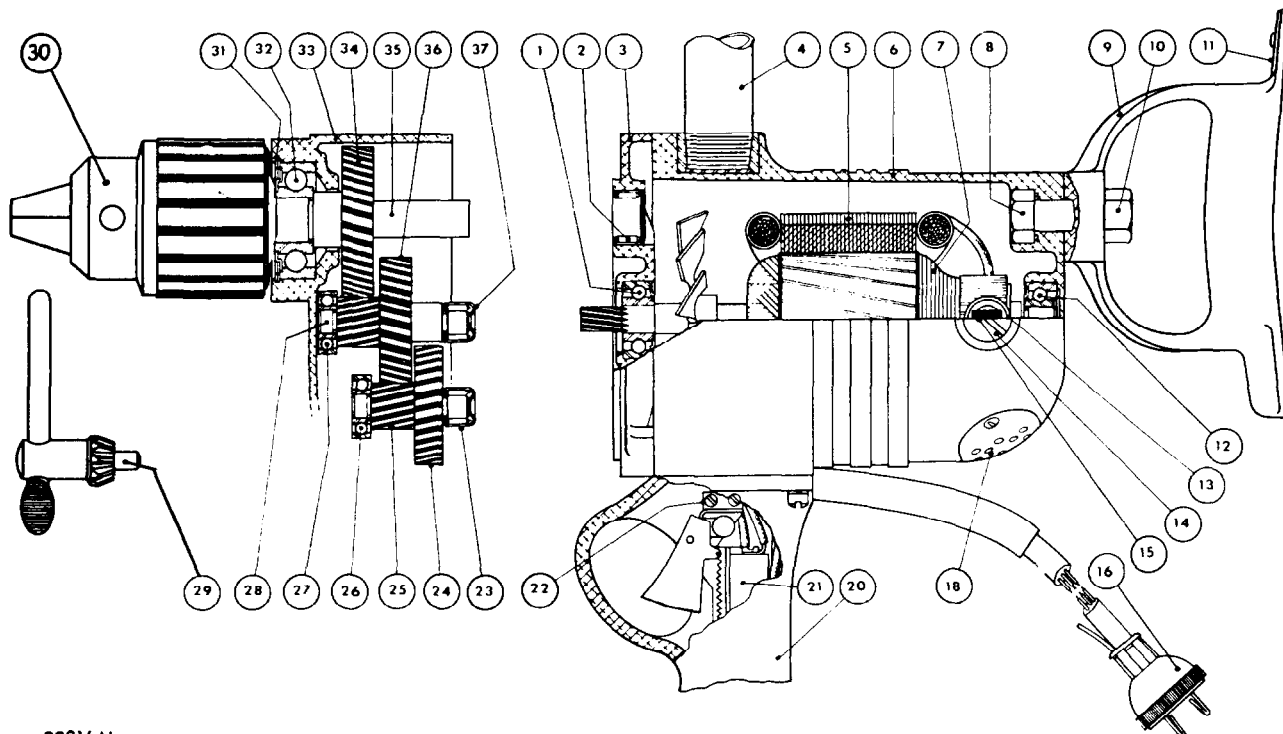
DATE
May '68

Catalog No. 1750

Starting Serial No. 63-4350

WIRING INSTR.
58-01-0600

Both Model and Serial No. must be furnished to obtain correct parts.



230V Motor
16-86-1350 Armature
18-86-1100 Field

ILLUSTRATED PARTS

| FIG. | PART NO. | DESCRIPTION OF PART | FIG. | PART NO. | DESCRIPTION OF PART |
|------|------------|--|------|------------|-----------------------------|
| 1 | 02-04-1260 | Ball Bearing | 21 | 23-66-0190 | Switch |
| 2 | 02-50-4040 | Needle Bearing | 22 | 42-36-0230 | Switch Bracket |
| 3 | 28-28-0102 | Diaphragm | 23 | 02-50-2450 | Needle Bearing |
| 4 | 43-62-0230 | Pipe Handle | 24 | 32-40-1001 | 1st Intermediate Gear |
| 5 | 18-82-1110 | Field Assembly | 25 | 36-66-3001 | 1st Inter. Pinion Shaft |
| 6 | 28-50-4761 | Motor Housing | 26 | 02-04-0910 | Ball Bearing |
| 7 | 16-82-1430 | Armature Assembly | 27 | 02-04-0910 | Ball Bearing |
| 8 | 06-75-0850 | 1/2"-13x1-1/2" Spade Handle Bolt (Hex Hd.) | 28 | 36-66-0501 | 2nd Inter. Pinion Shaft |
| 9 | 14-34-0100 | Spade Handle (Incl. item 11) | 29 | 48-66-3120 | Chuck Key |
| 10 | 06-55-2850 | 1/2"-13 Spade Handle Jam Nut | 30 | 48-66-1640 | Chuck (5/8-16 Thread) |
| 11 | See item 9 | Spade Handle Key Clip | 31 | 34-80-3450 | Ball Bearing Retaining Ring |
| 12 | 02-04-1070 | Ball Bearing | 32 | 02-04-1780 | Ball Bearing |
| 13 | 22-22-0100 | Brush Holder Assembly | 33 | 28-14-0401 | Gear Case |
| 14 | 23-44-0081 | Brush Retaining Screw Assembly (2) | 34 | 32-75-1001 | Spindle Gear |
| 15 | 22-18-0115 | Carbon Brush Assembly (2) | 35 | 38-50-1201 | Spindle |
| 16 | 22-64-0080 | Cord Set | 36 | 32-44-1221 | 2nd Intermediate Gear |
| 18 | 44-66-0180 | Air Intake Cover Plate | 37 | 02-50-2450 | Needle Bearing |
| 20 | 28-44-9241 | Switch Handle | | | |

MISCELLANEOUS PARTS NOT SHOWN

| PART NO. | DESCRIPTION OF PART | PART NO. | DESCRIPTION OF PART | QUANTITY |
|-------------|---|-------------|---|----------|
| 12-98-0900 | Name Plate | 06-81-7900 | 1/4"-20x1-1/2" Fil.Hd. Switch Handle Sems | (4) |
| 06-81-8650 | 6-32x1/4" Spade Handle Key Clip Sems | 06-83-2670 | 1/4"-20x1/2" Hd'less Brush Holder Set Screw | (2) |
| 06-81-8650 | 6-32x1/4" Rd.Hd. Switch Mtg. Sems | 06-81-8625 | 6-32x1/4" Rd.Hd. Brass Grounding Wire Sems | |
| 06-81-3400 | 6-32x1/4" Oval Hd. Switch Bracket Scs. | | | |
| *06-81-8400 | 4-40x1/4 Rd.Hd.Sem Name Plate Scrs. | *06-97-1800 | Switch Lock Washers | (4) |
| *06-81-8650 | 6-32x1/4 Rd.Hd.Sem Air Intake Plate Scrs. | 06-42-1600 | Woodruff Key | |
| 06-81-7850 | 1/4"-20x1" Fil.Hd.Gear Case Sems | 06-42-1200 | Woodruff Key | |
| 06-81-7950 | 1/4"-20x1-3/4" Fil.Hd. Gear Case Sems | 06-42-2400 | Woodruff Key | |
| 48-03-0010 | Attachment Plug Adaptor | 45-04-0100 | Cord Retaining Screw | (2) |
| 06-81-8950 | 8-32x2-1/4" Fil. Hd. Field Sems | 23-86-0130 | Brush Holder Washer | (2) |